



877-2-MUELLER

www.muellerinc.com

12x15 (DIY) with Optional Center Girts and Floor Kit Instructions

Mueller DIY buildings are not engineered structures and do not meet any specific building code criteria.

Parts List

There is not an attached parts list included in these instructions. Due to continuing improvements, the parts list is the itemized invoice delivered with your building.

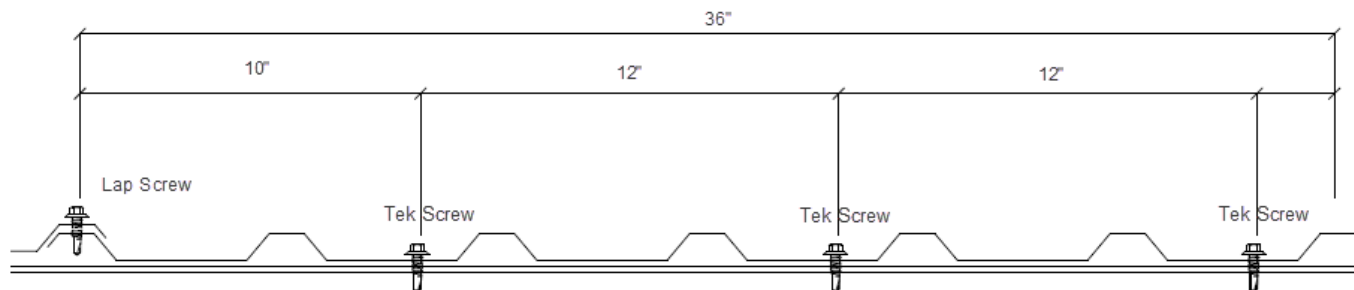
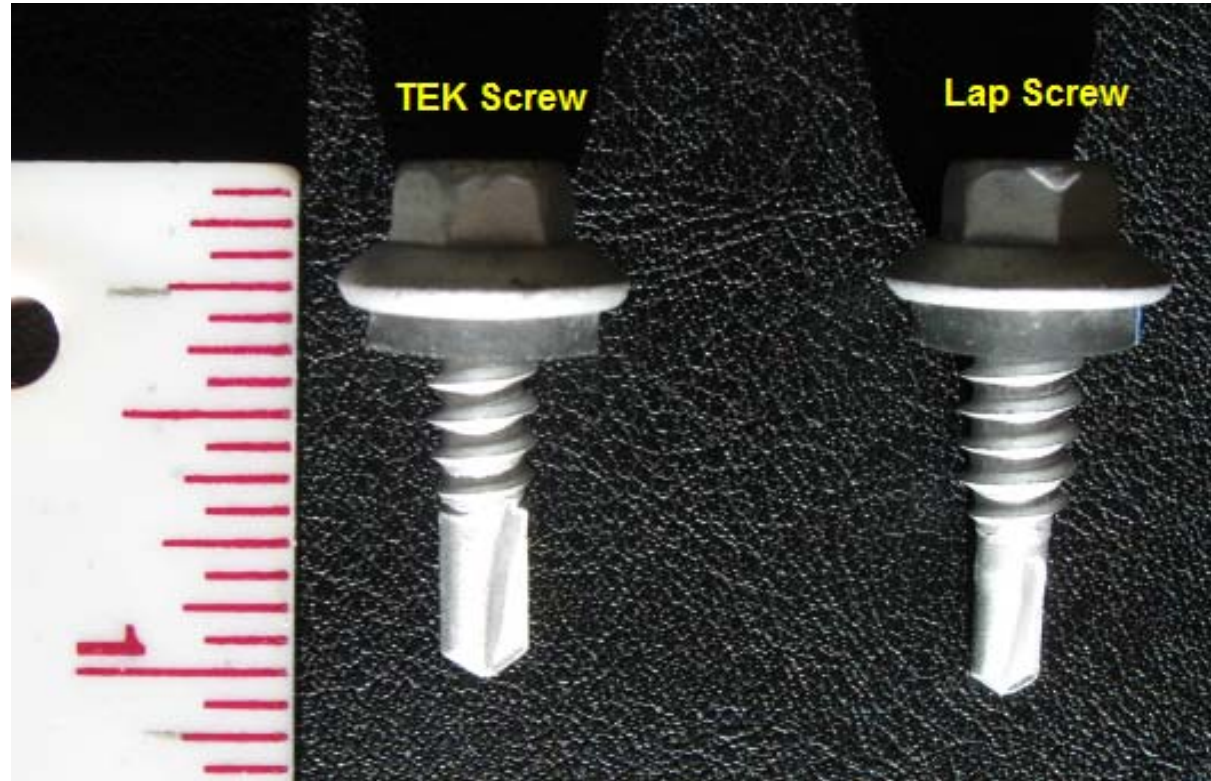
All parts are stenciled on the inside of the channel, purlin, girts and rafters. Example of this is below:



Types of Screws

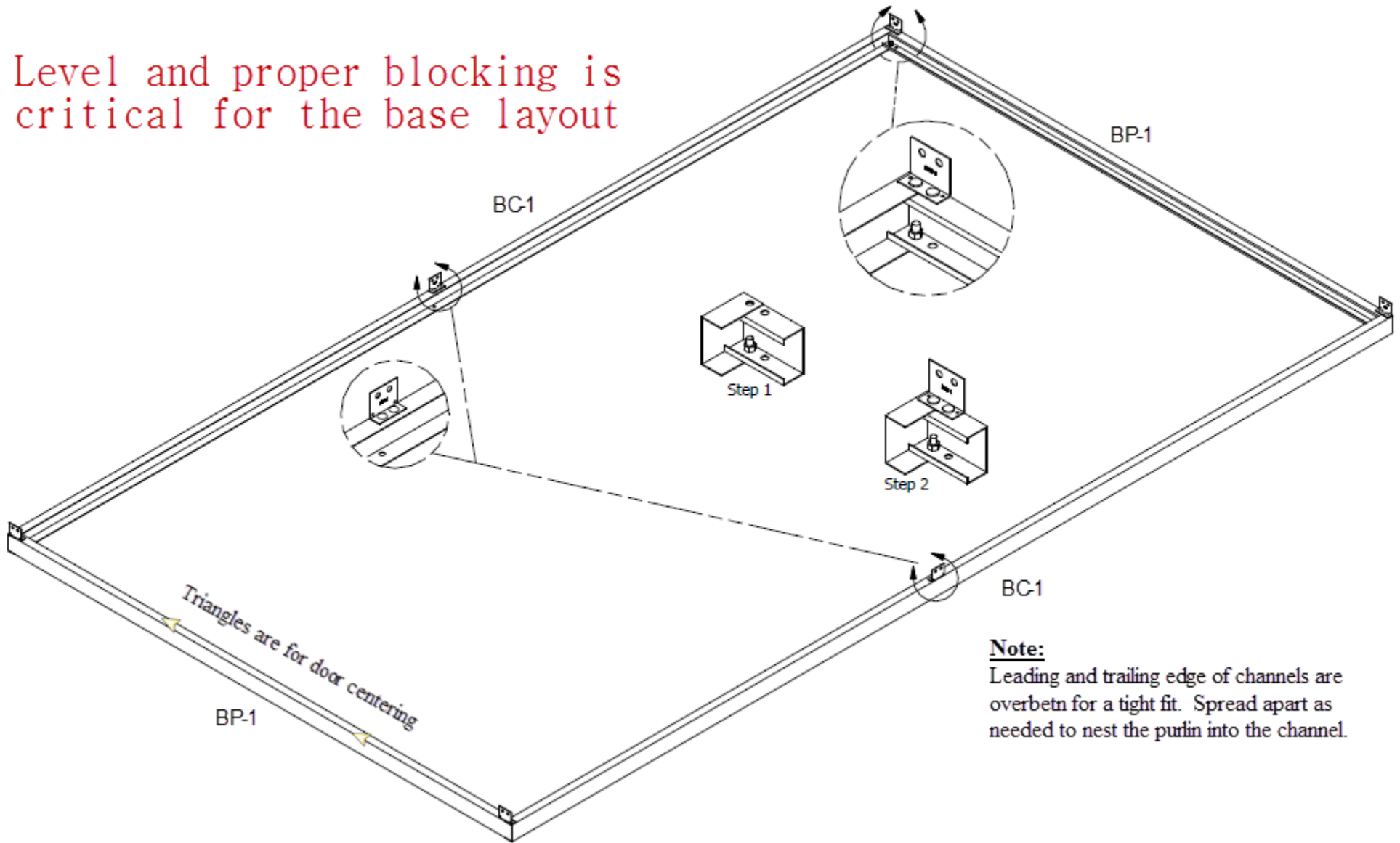
TEK Screw
"Shorter Shaft"

Lap Screw
"Thicker Shaft"



Base Layout (BC-1 and BP-1)

Level and proper blocking is critical for the base layout

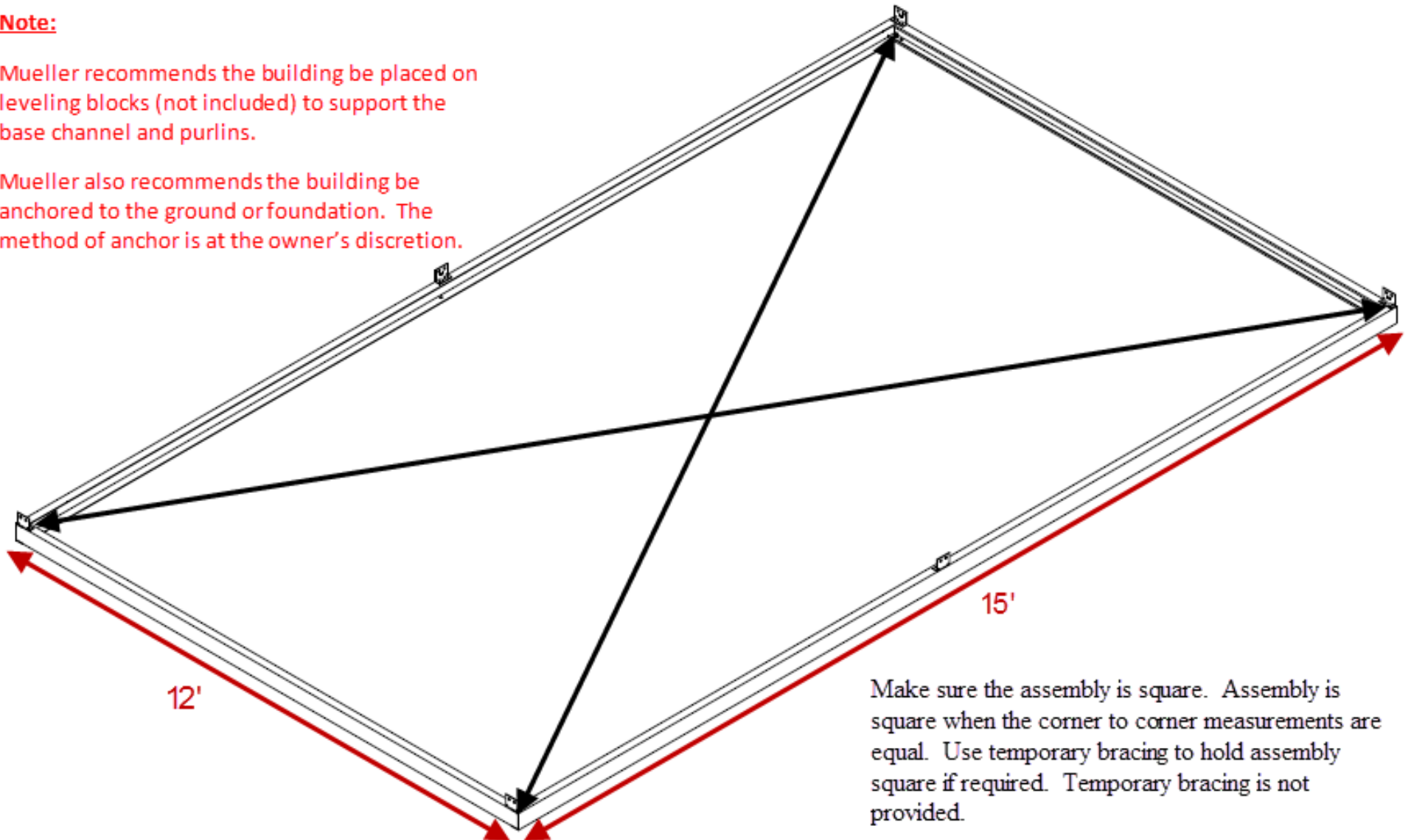


Make sure the assembly is square

Note:

Mueller recommends the building be placed on leveling blocks (not included) to support the base channel and purlins.

Mueller also recommends the building be anchored to the ground or foundation. The method of anchor is at the owner's discretion.



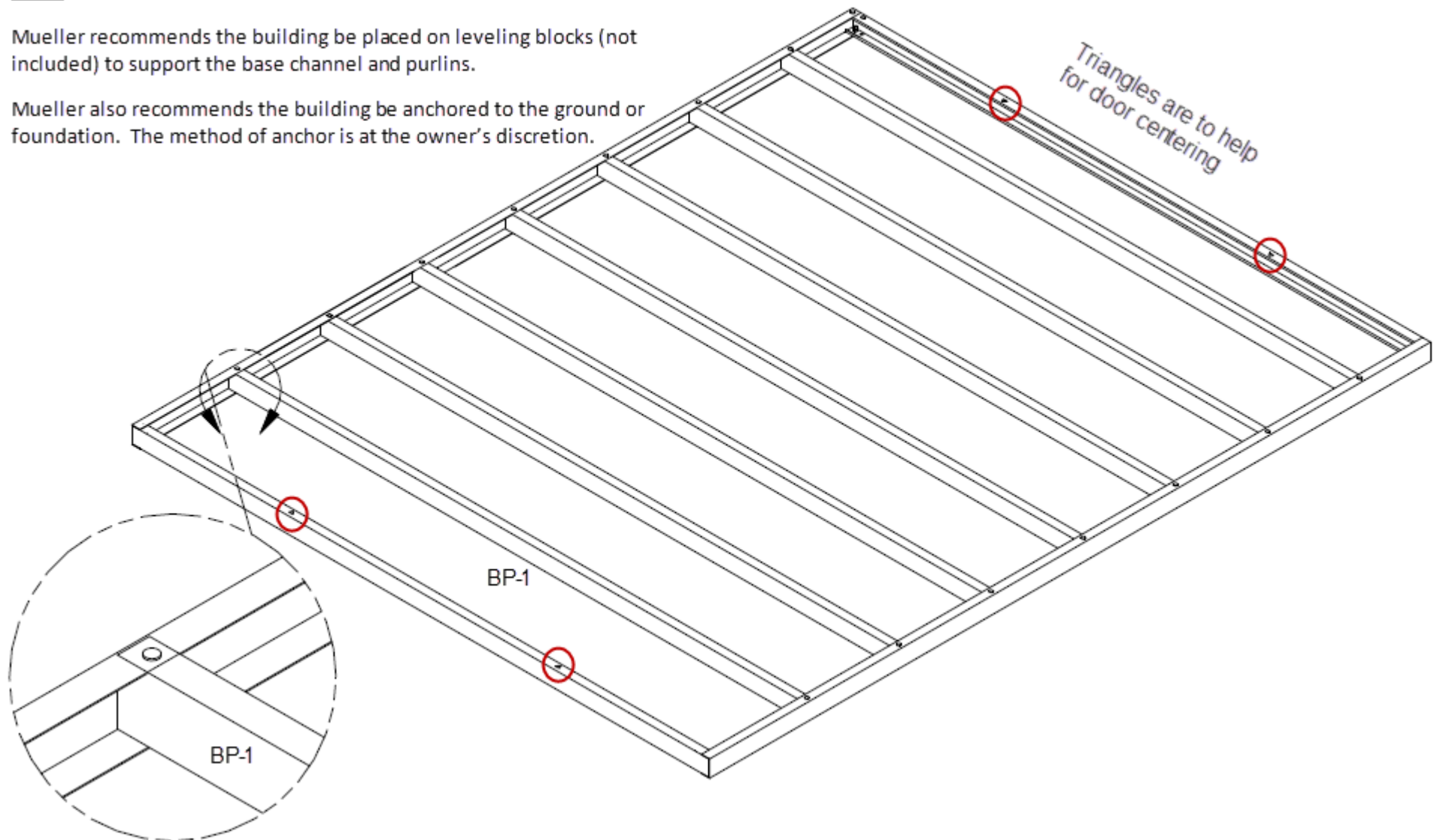
Make sure the assembly is square. Assembly is square when the corner to corner measurements are equal. Use temporary bracing to hold assembly square if required. Temporary bracing is not provided.

Floor Kit (Optional)

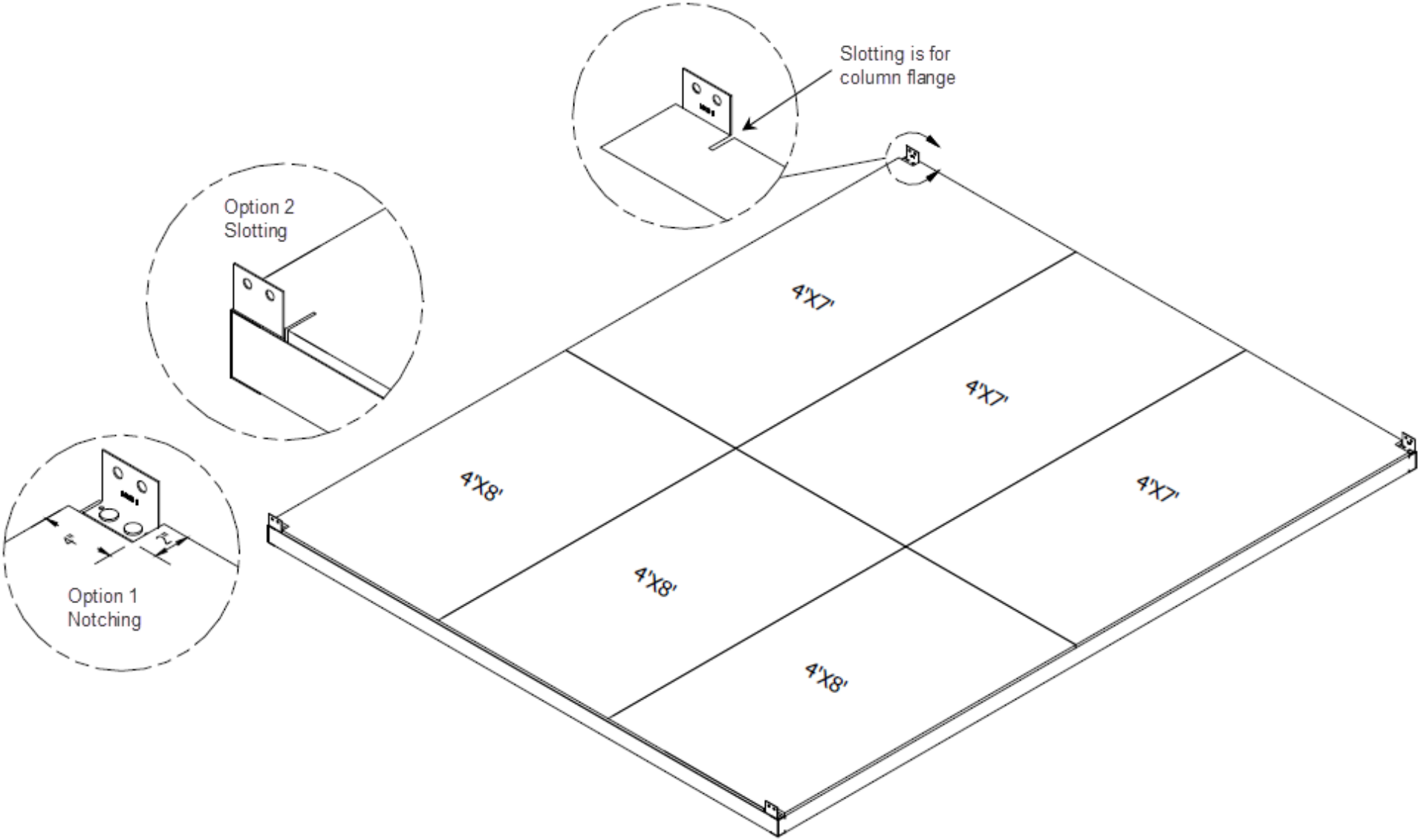
Note:

Mueller recommends the building be placed on leveling blocks (not included) to support the base channel and purlins.

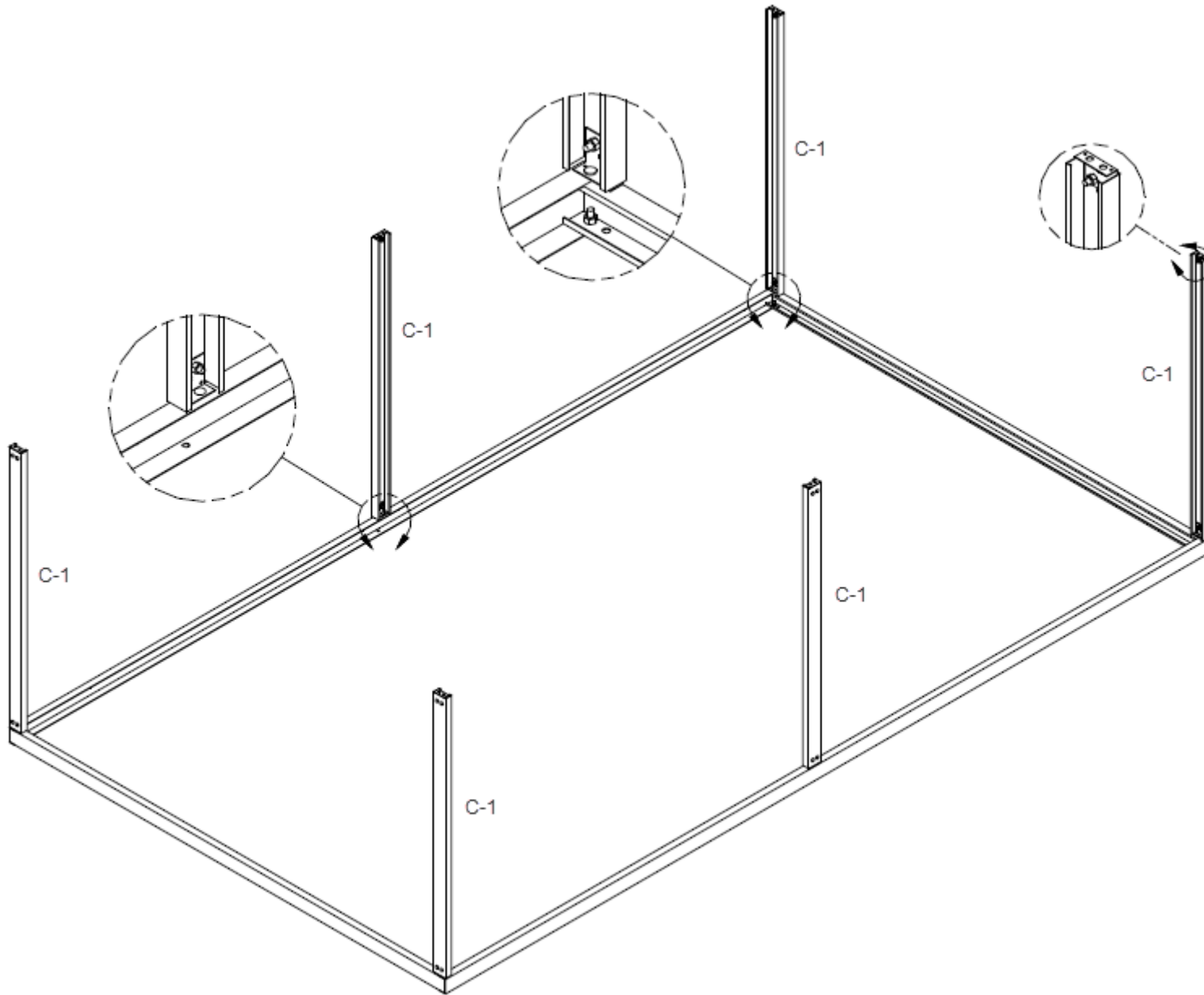
Mueller also recommends the building be anchored to the ground or foundation. The method of anchor is at the owner's discretion.



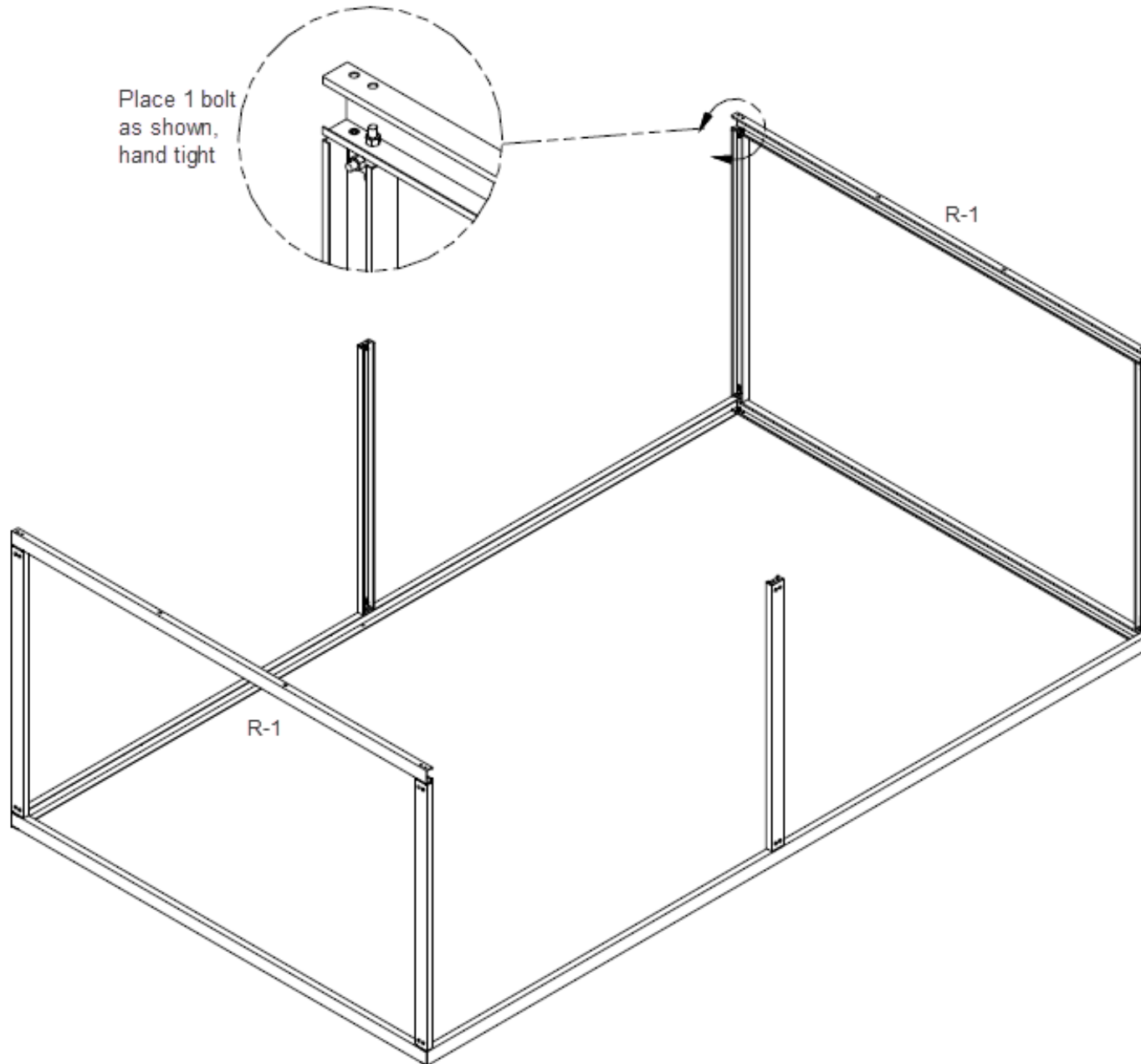
Floor Kit (Optional)



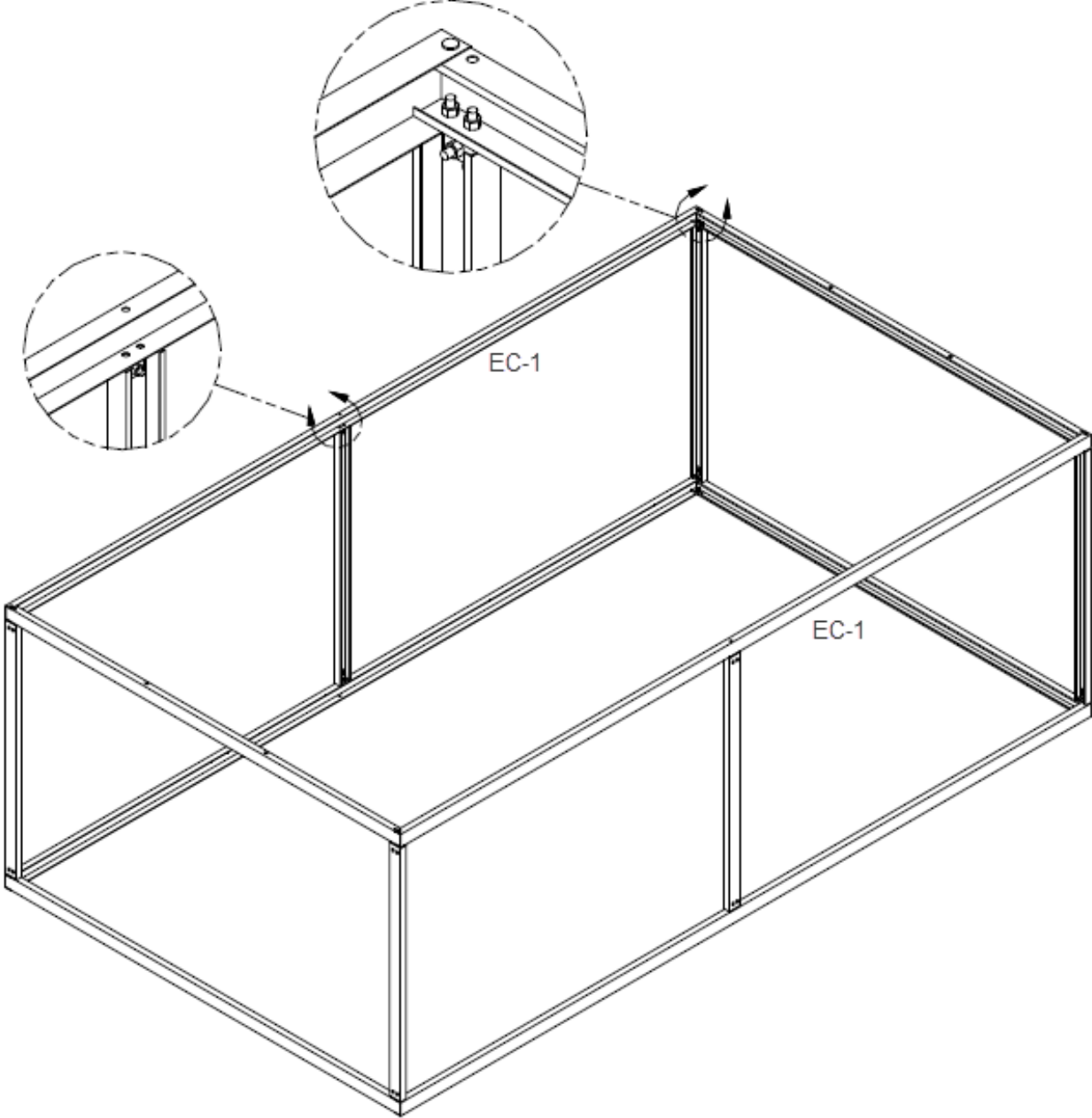
Erecting Columns (C-1)



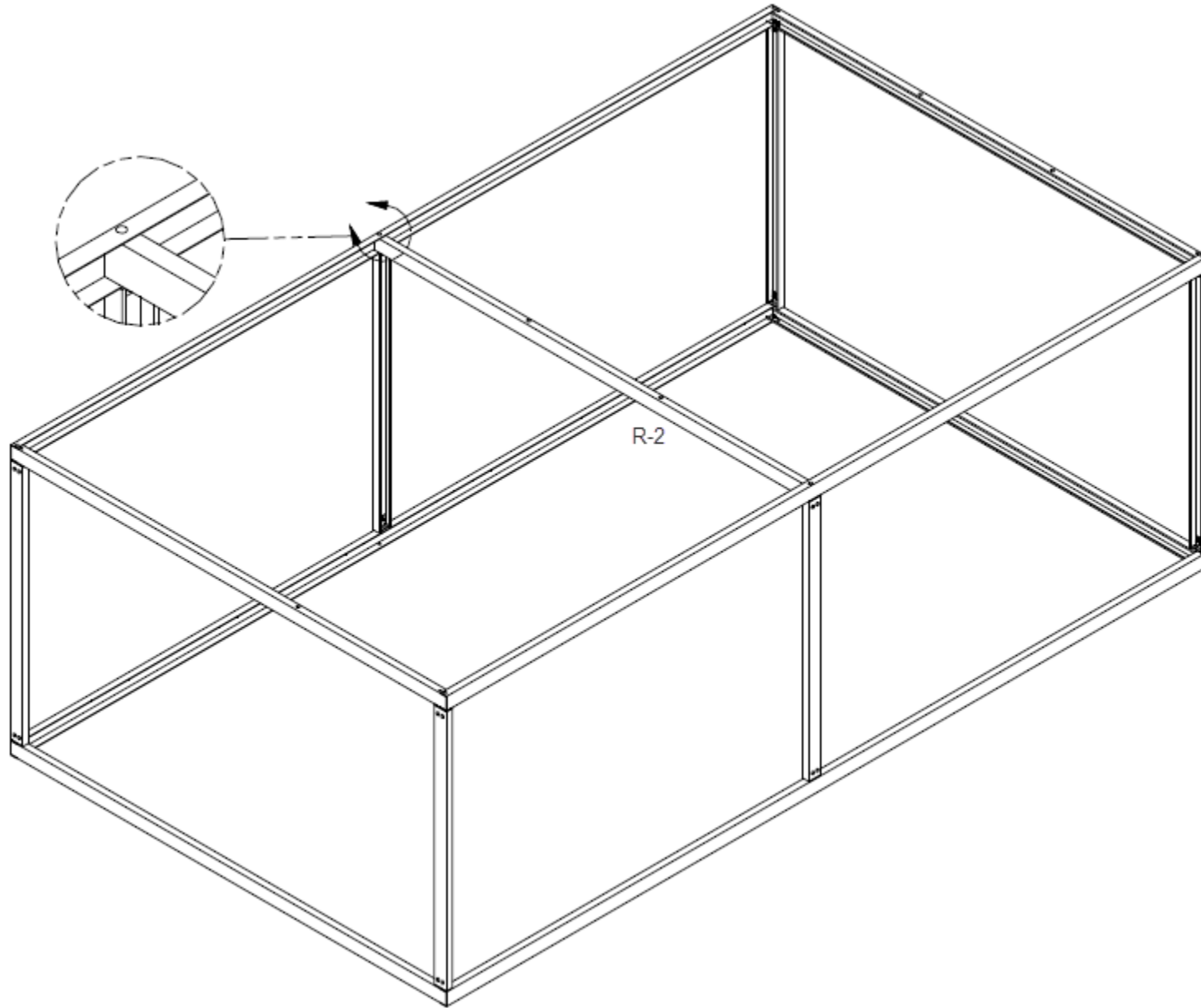
Rafters (R-1)



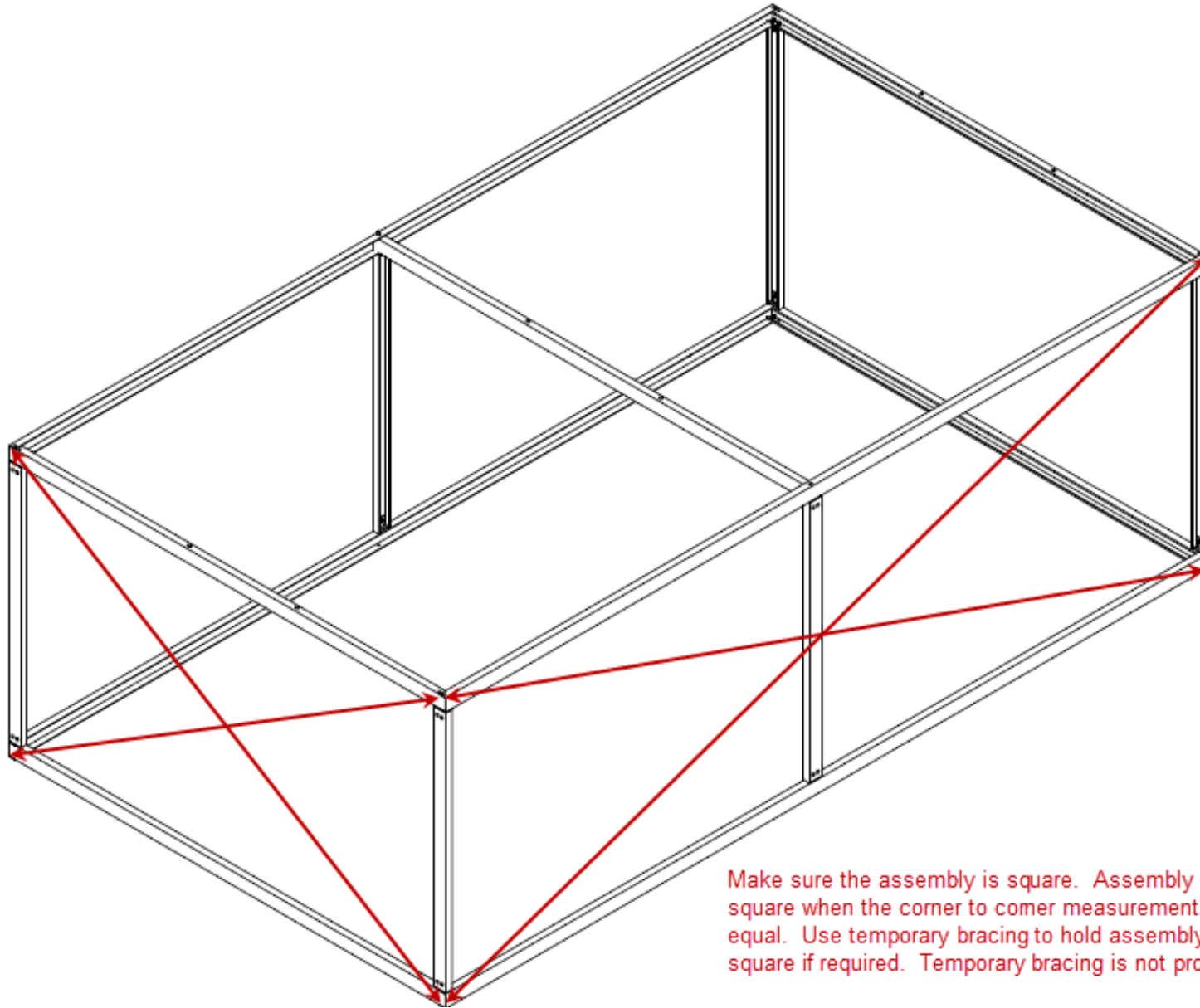
Eave Channel (EC-1)



Rafters (R-2)

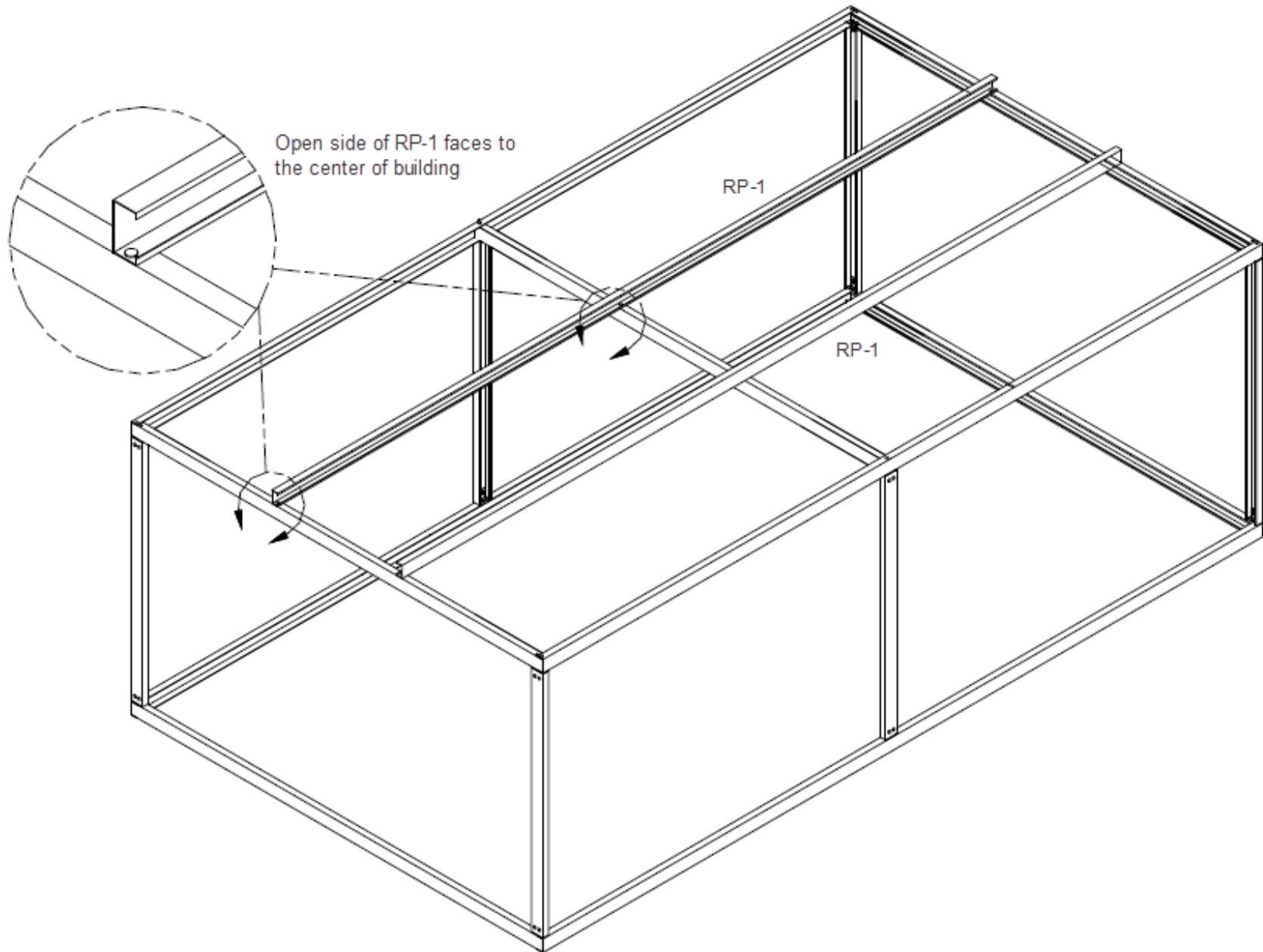


Make sure the assembly is square

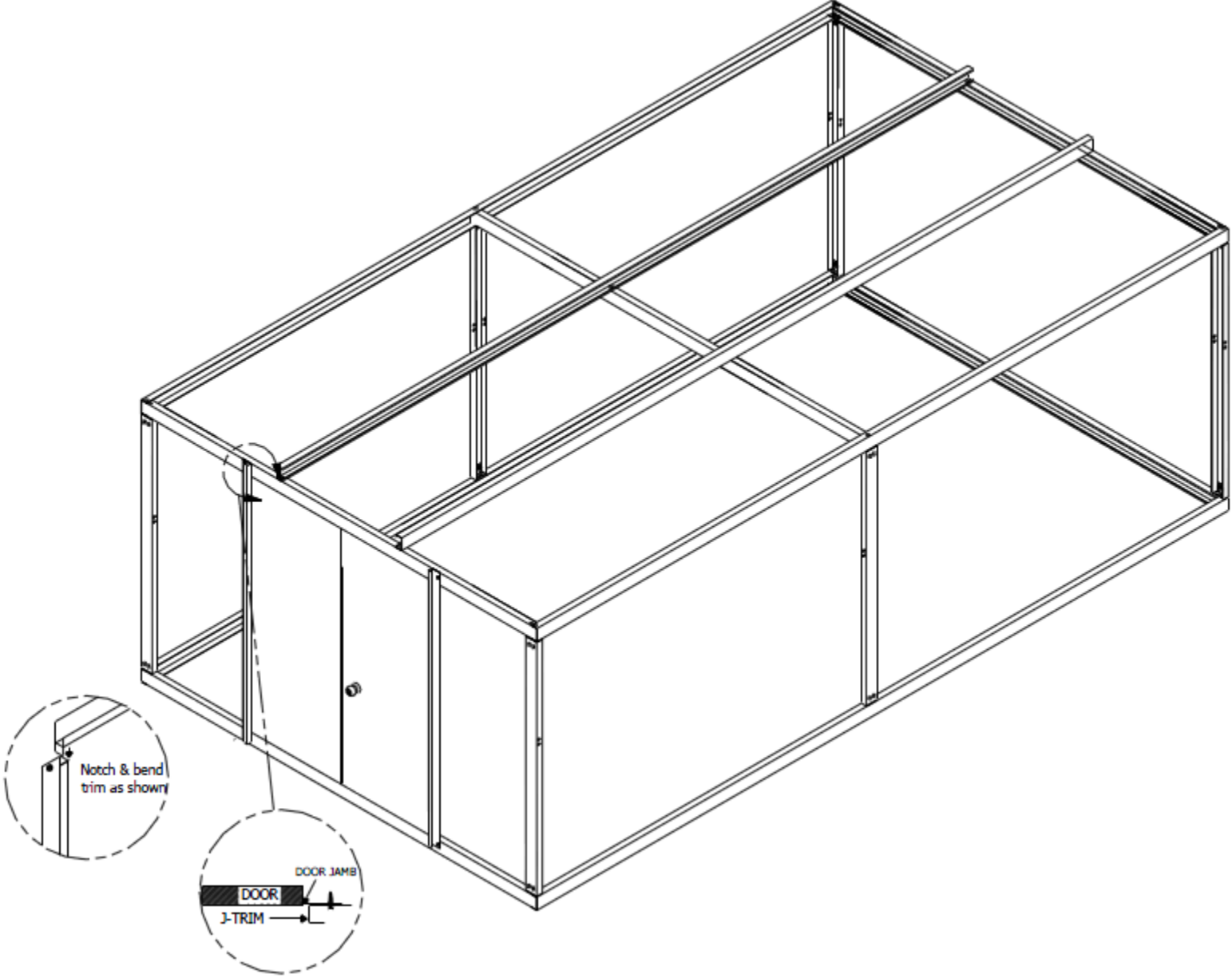


Make sure the assembly is square. Assembly is square when the corner to corner measurements are equal. Use temporary bracing to hold assembly square if required. Temporary bracing is not provided.

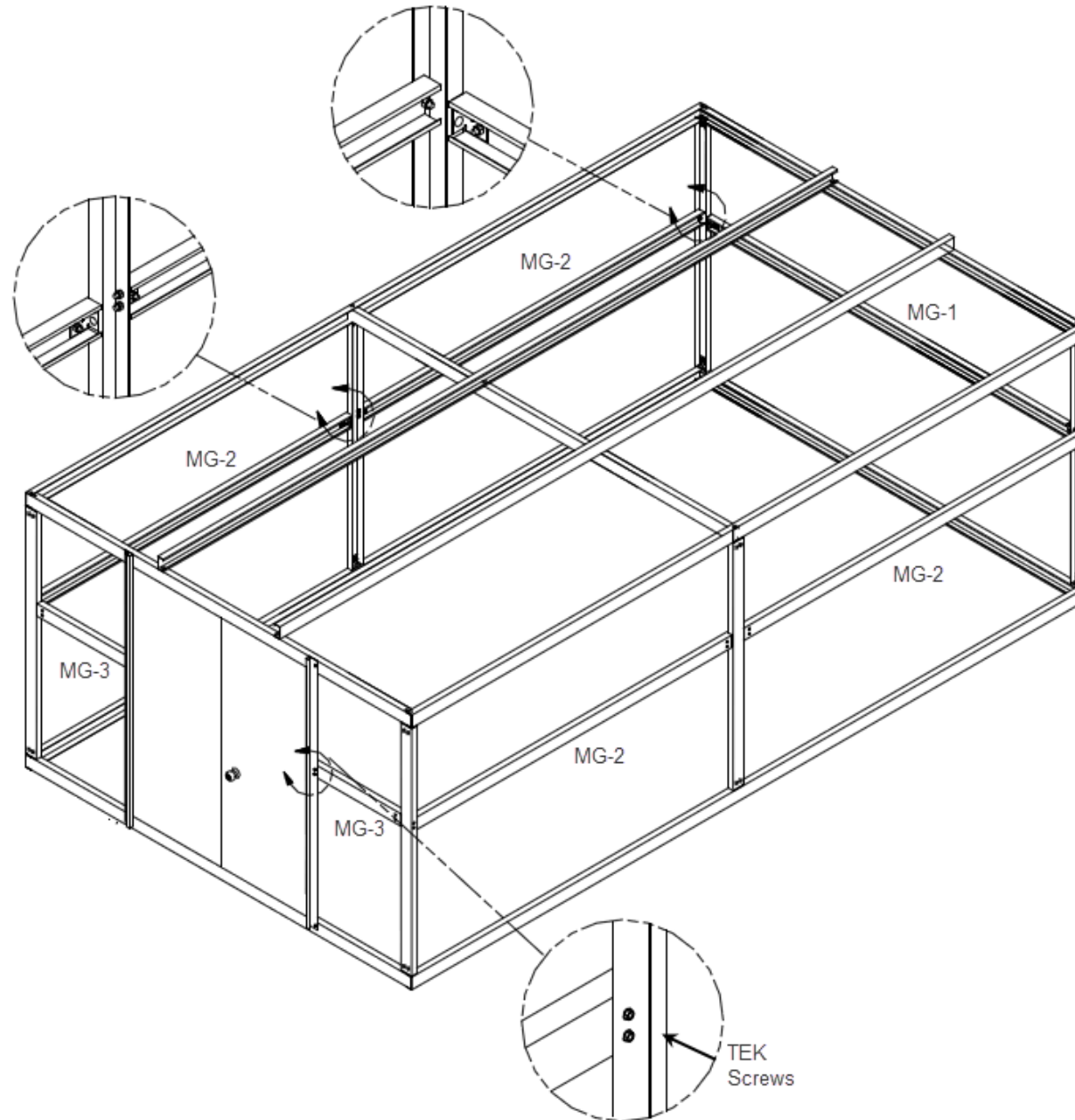
Roof Purlin (RP-1)



Door and Door Trim



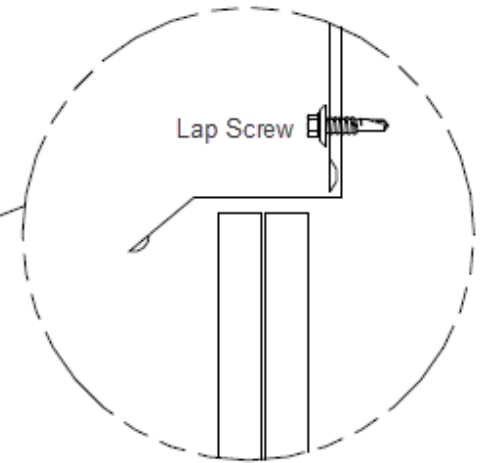
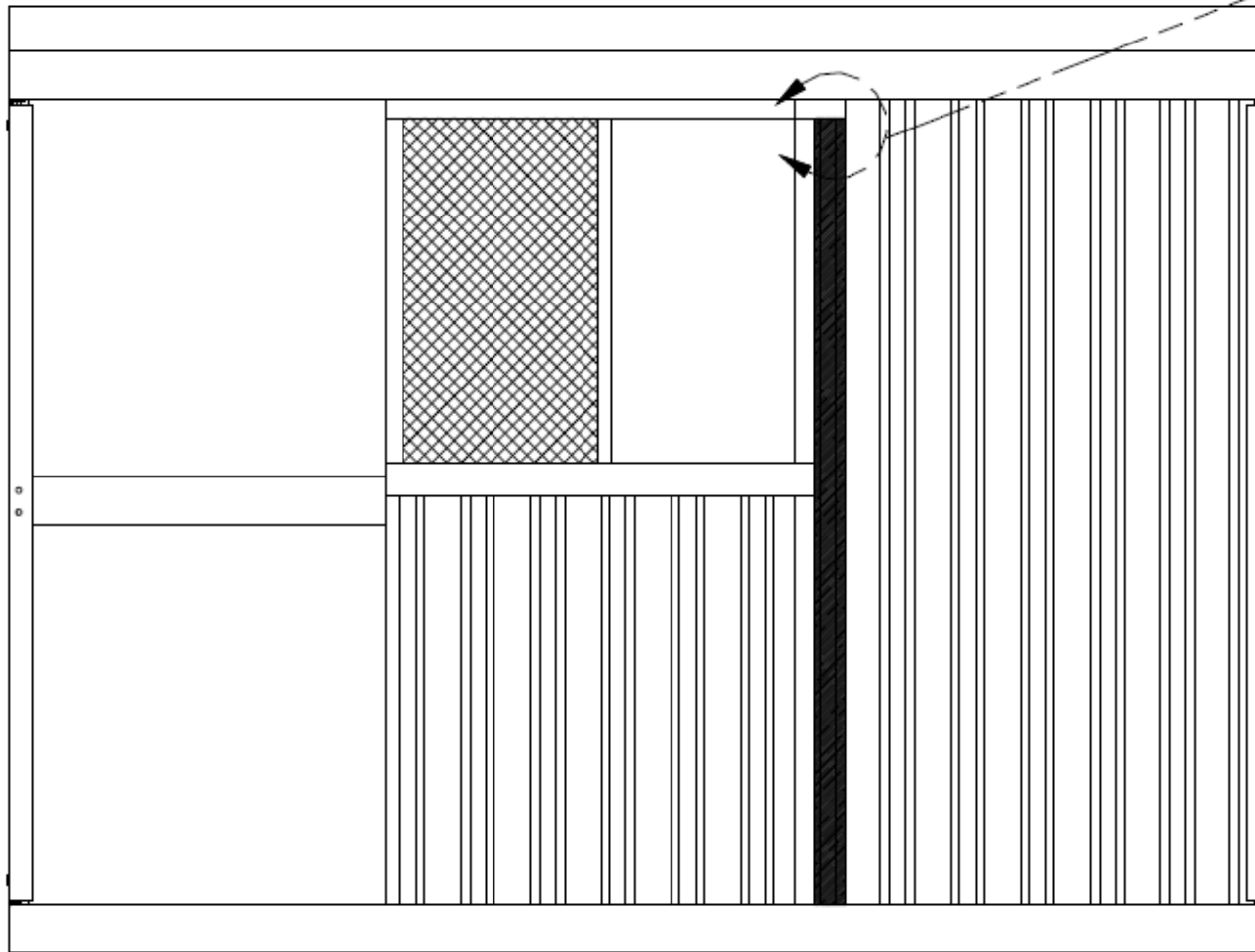
Mid-Girts (Optional – MG-1, MG-2 and MG-3)



Window (Optional)

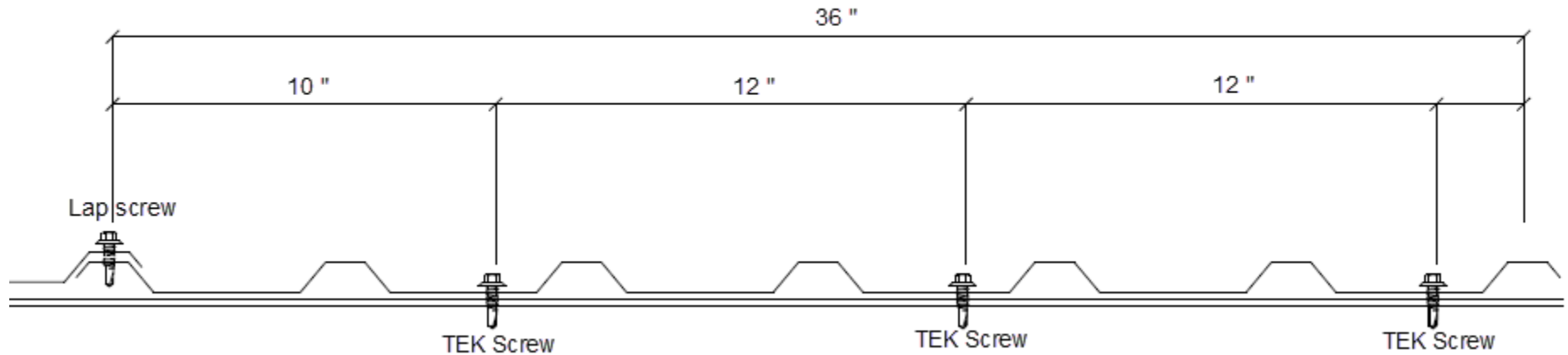
Note:

- Install one sheet, insert window and lap flush to sheet. Add drip edge window trim when installing eave trim.
- Sheets below window will need to be field cut for window assembly.
- See installation instructions included with the window packaging.

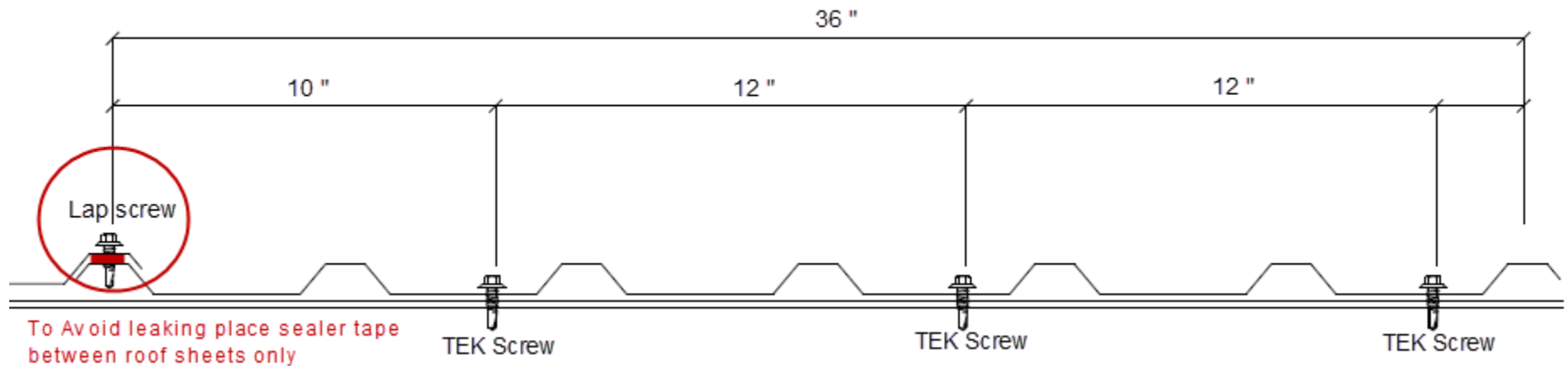


Sheeting Screw Placement

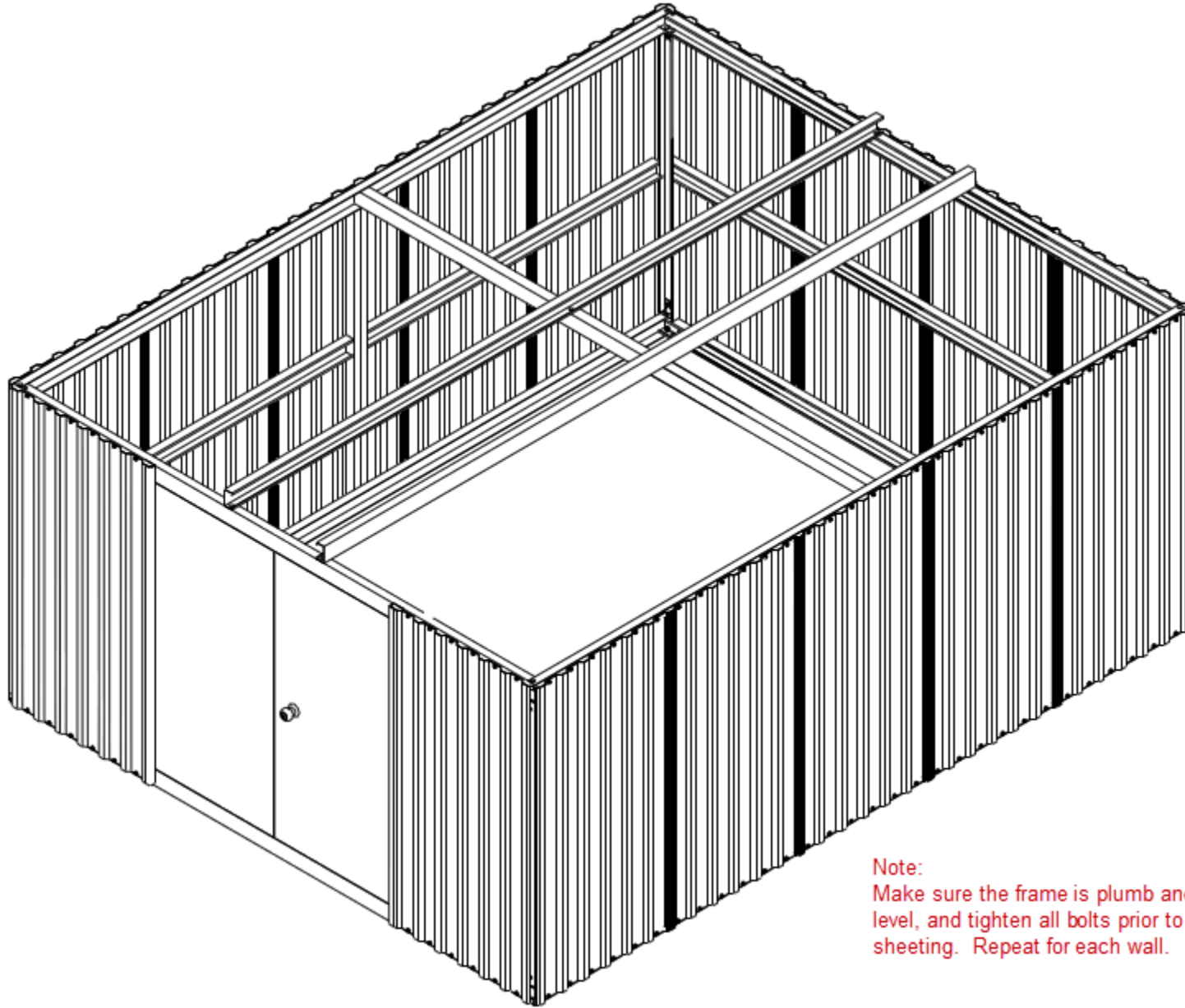
Wall Sheets



Roof Sheets

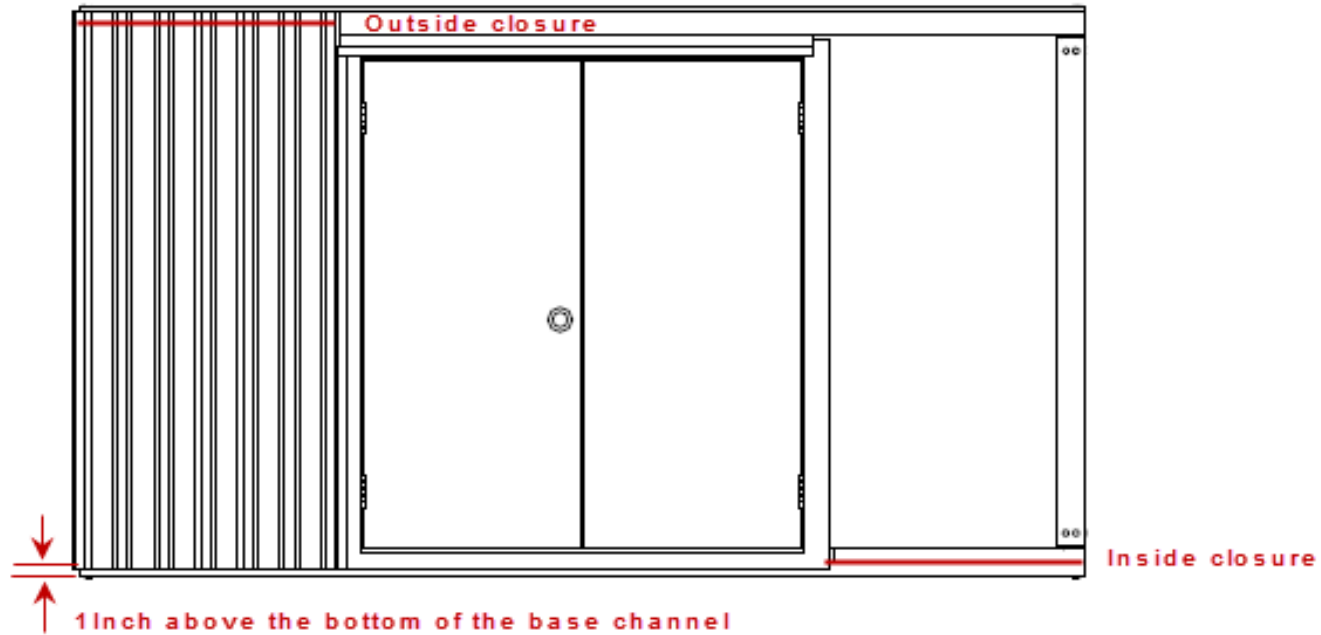


Sheeting

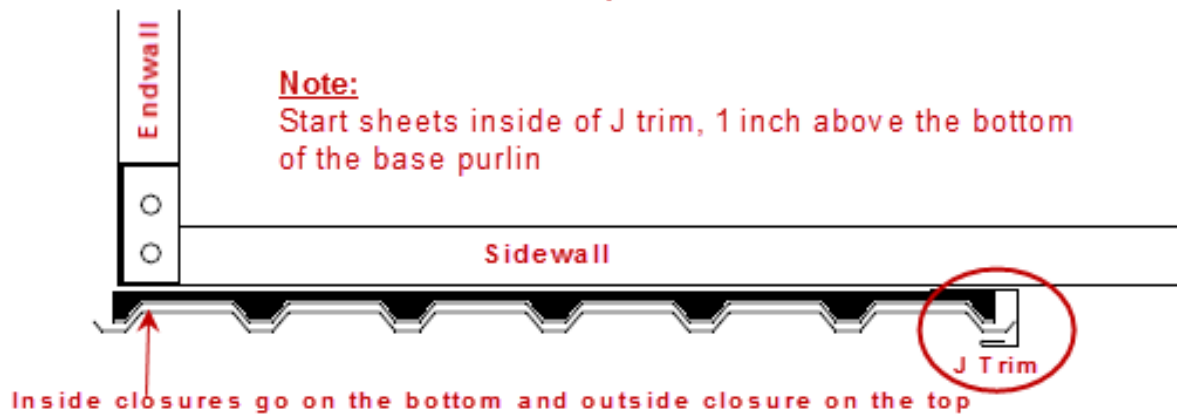


Note:
Make sure the frame is plumb and level, and tighten all bolts prior to sheeting. Repeat for each wall.

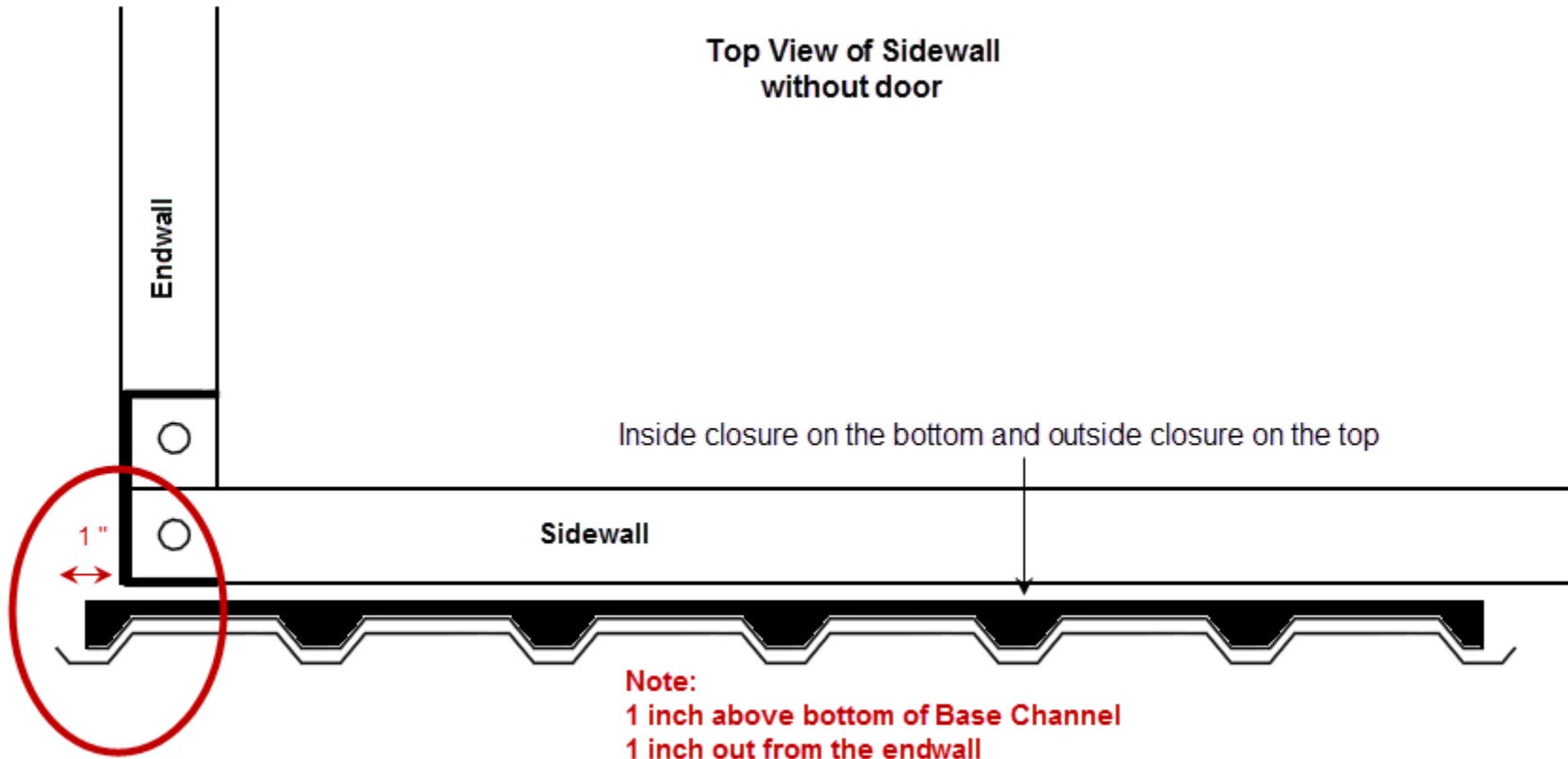
Sheeting Endwall with Double Door



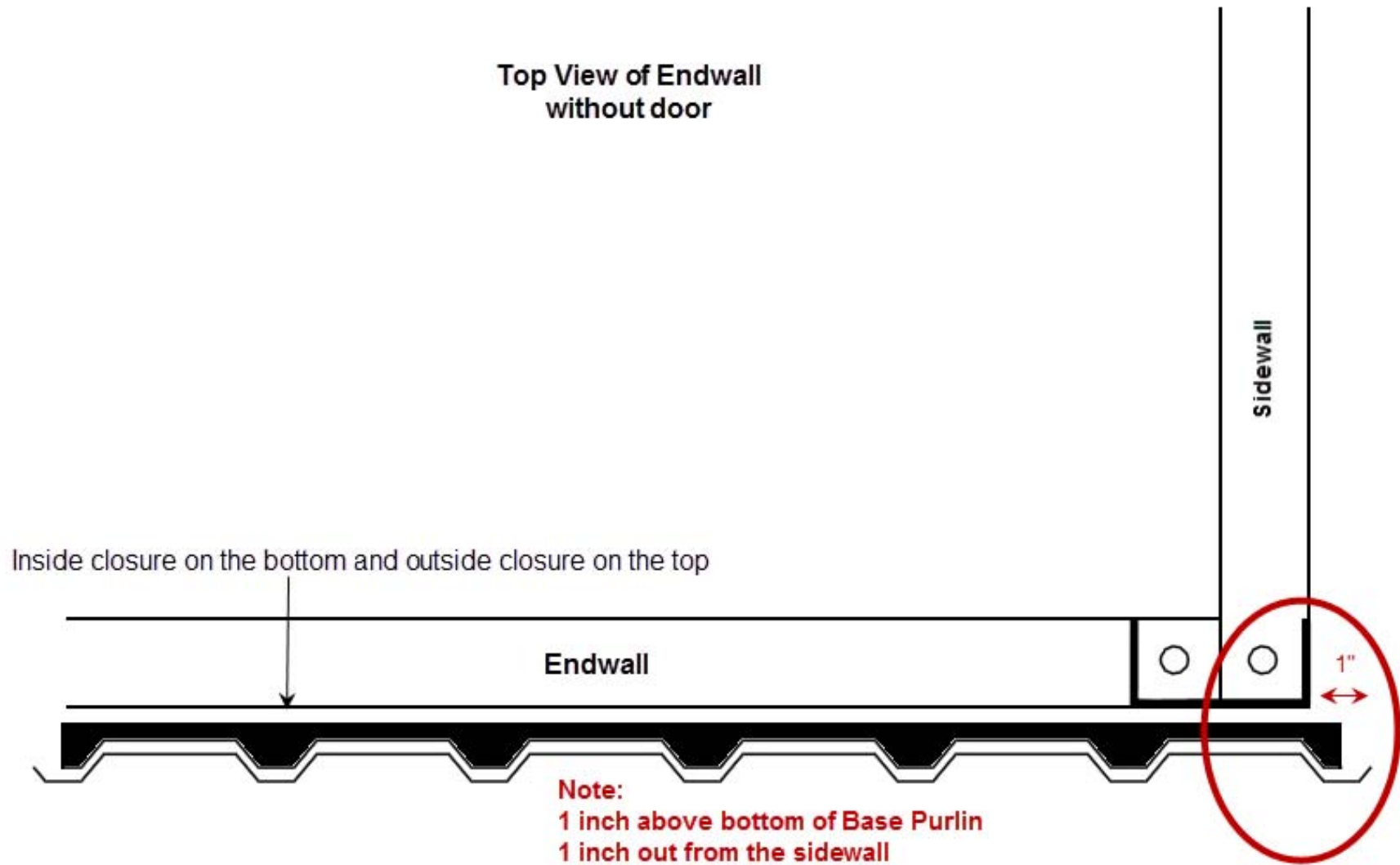
Top View



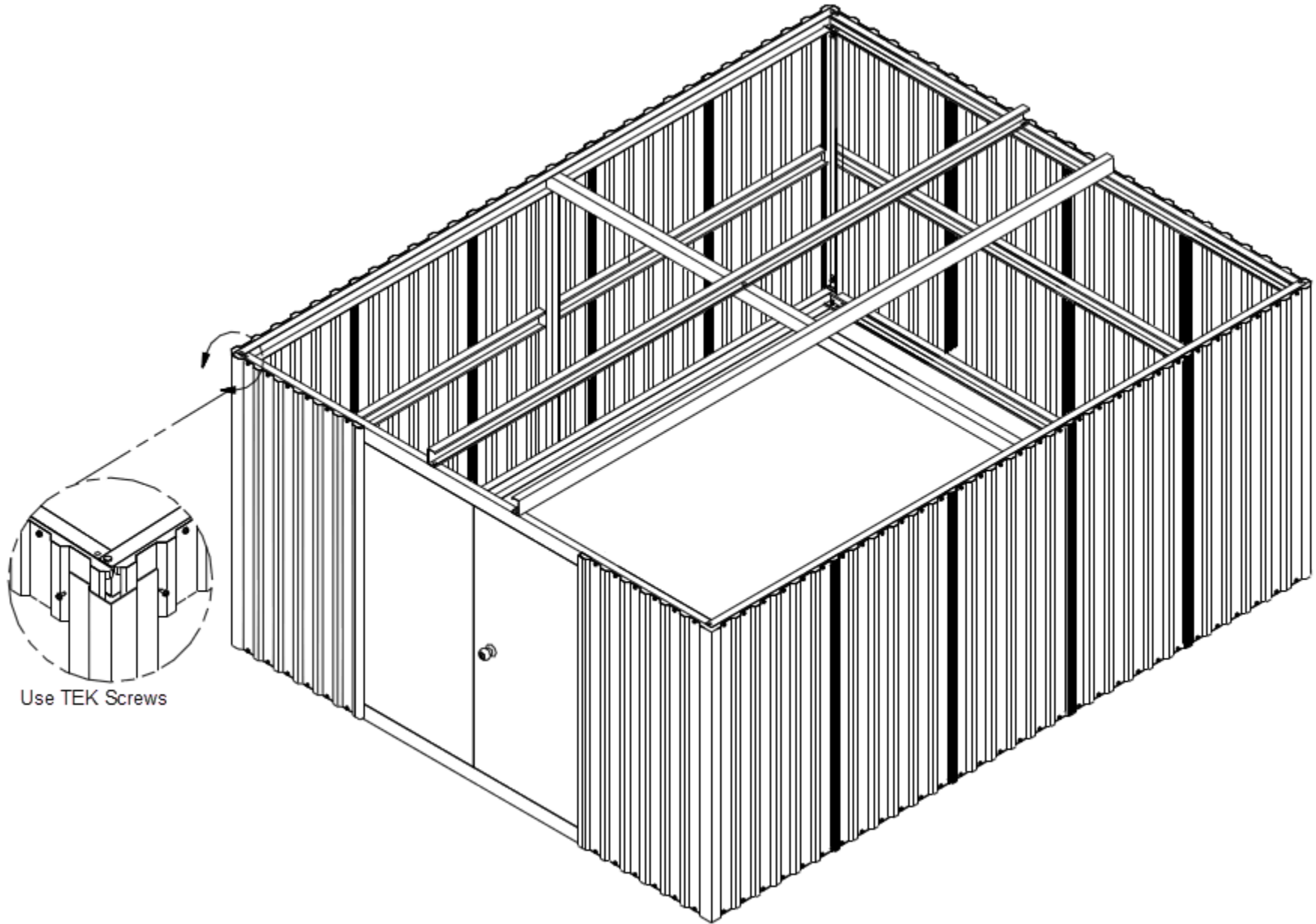
Sheeting Sidewall



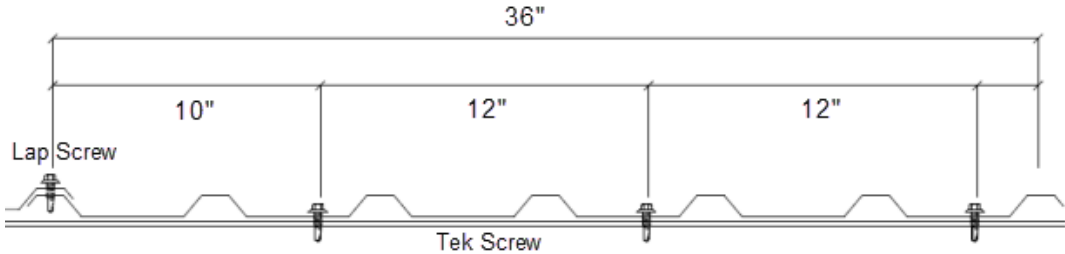
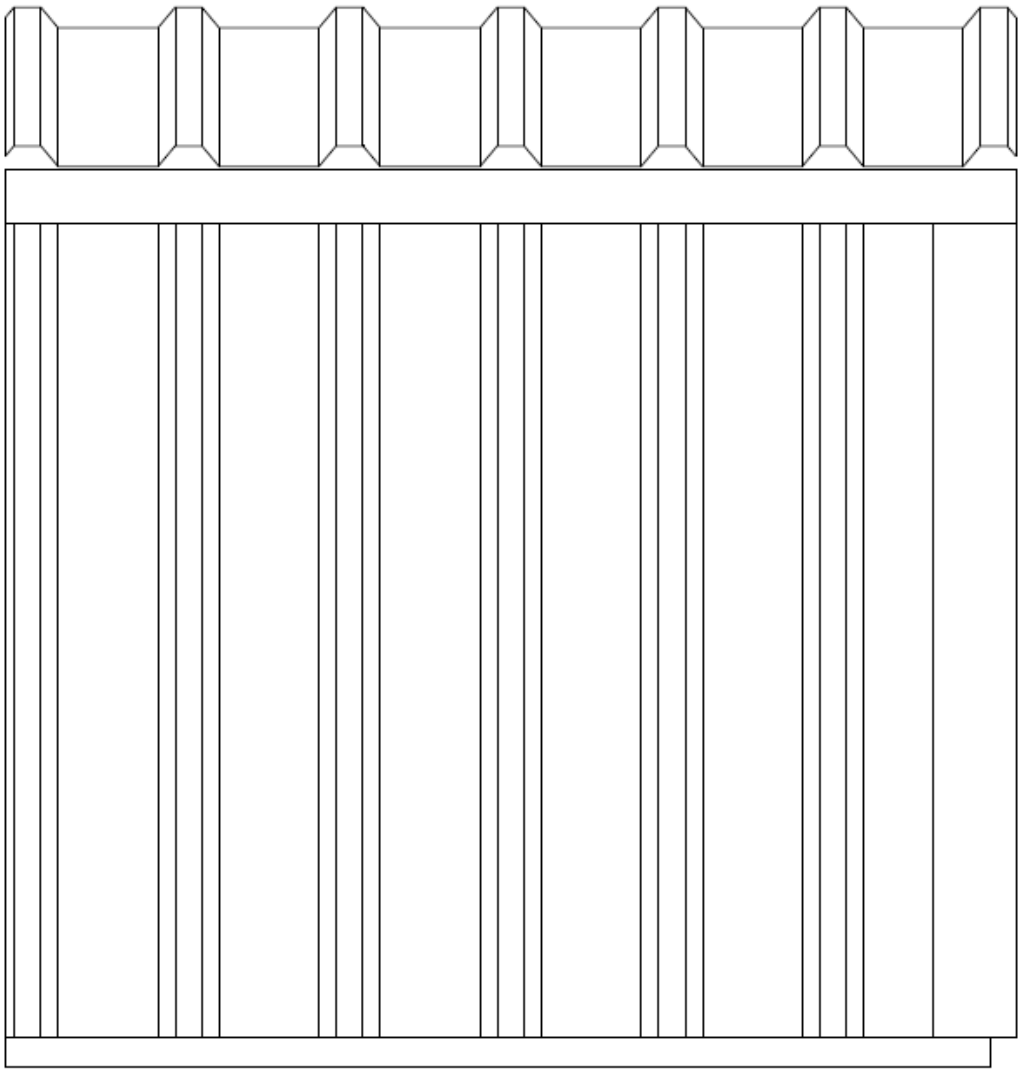
Sheeting Endwall without Door



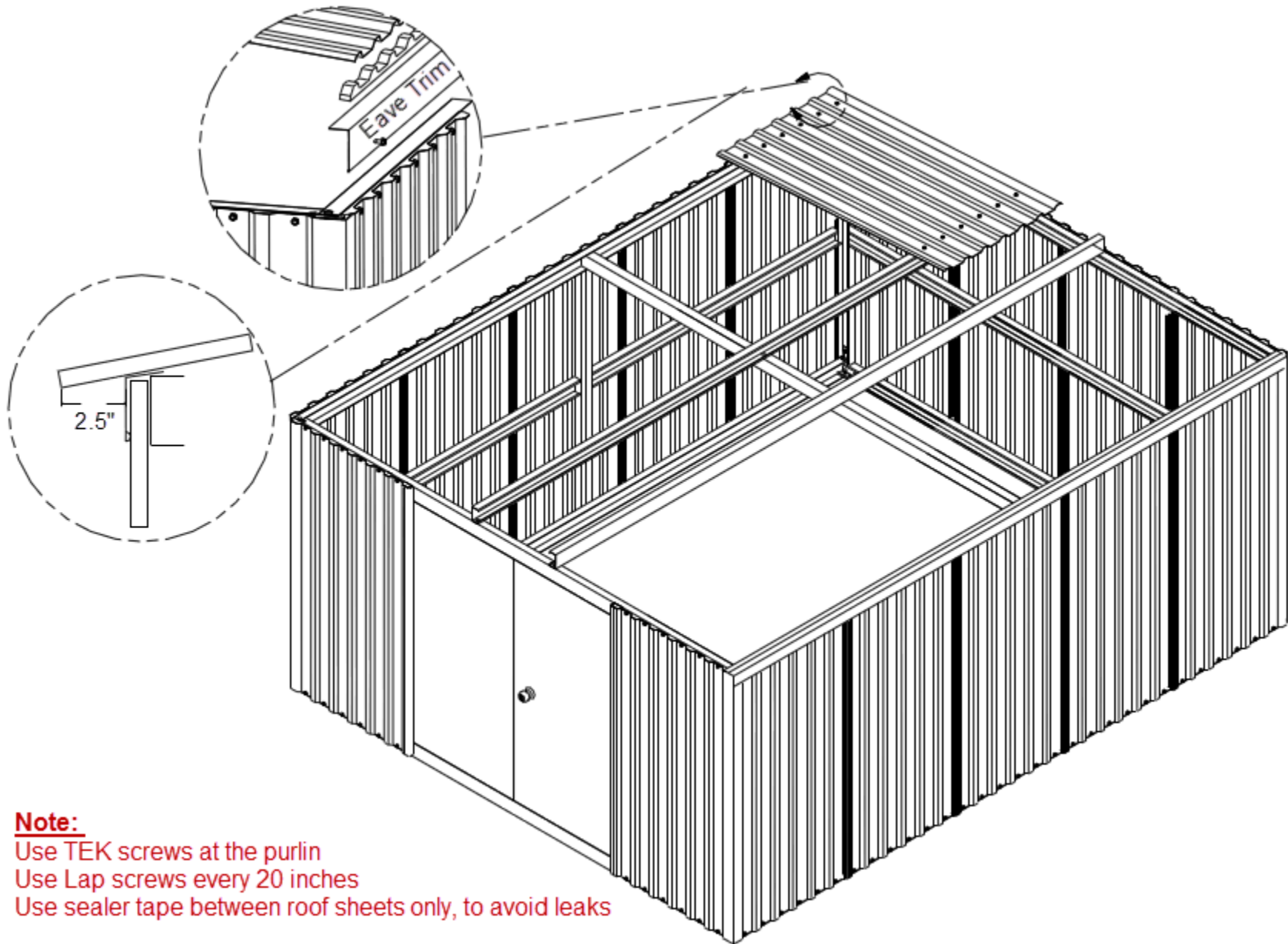
Corner Trim



Roof to Wall Sheet Alignment
Align major ribs from wall to major rib on roof



Sheeting the Roof



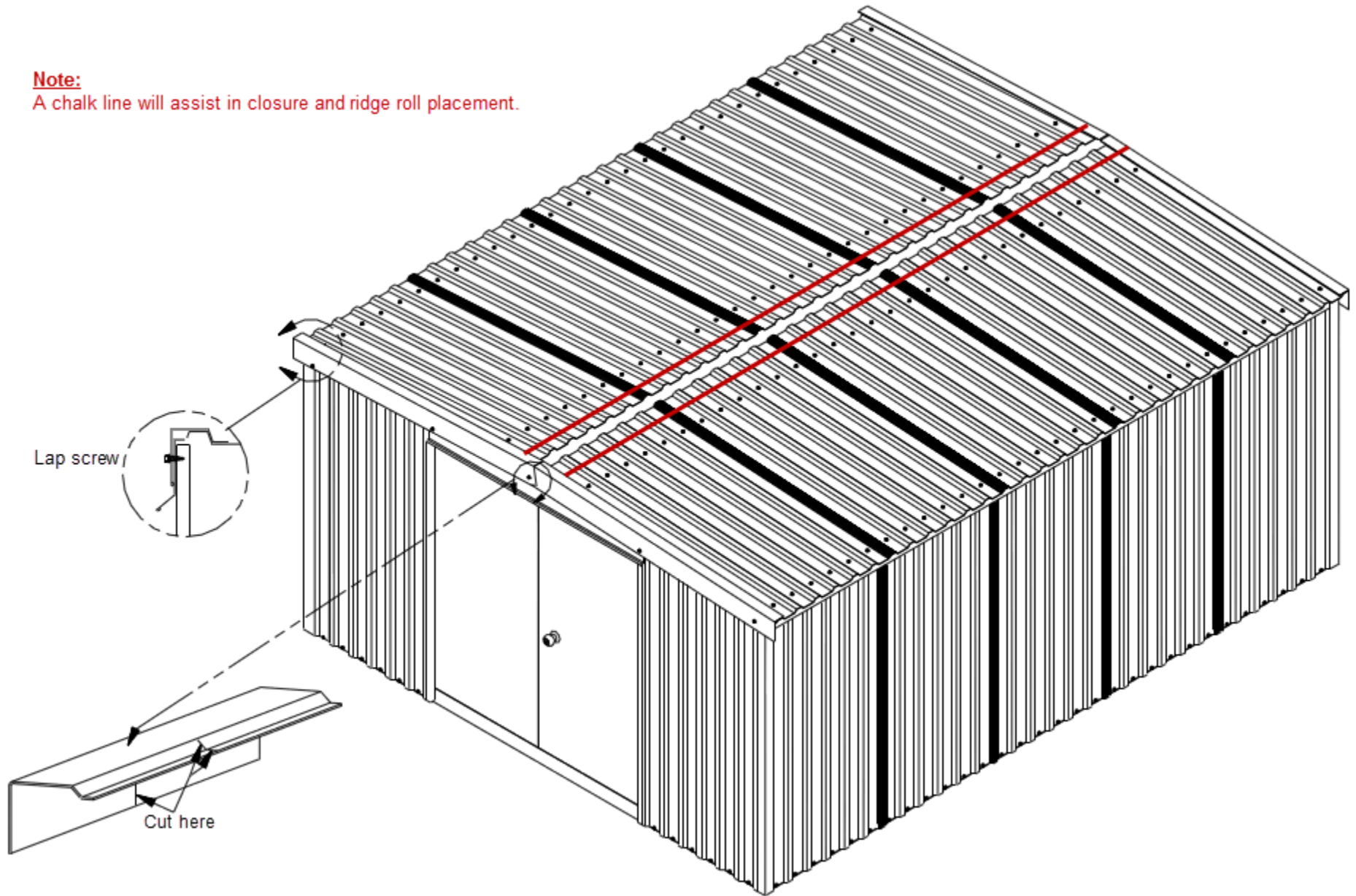
Note:

- Use TEK screws at the purlin
- Use Lap screws every 20 inches
- Use sealer tape between roof sheets only, to avoid leaks

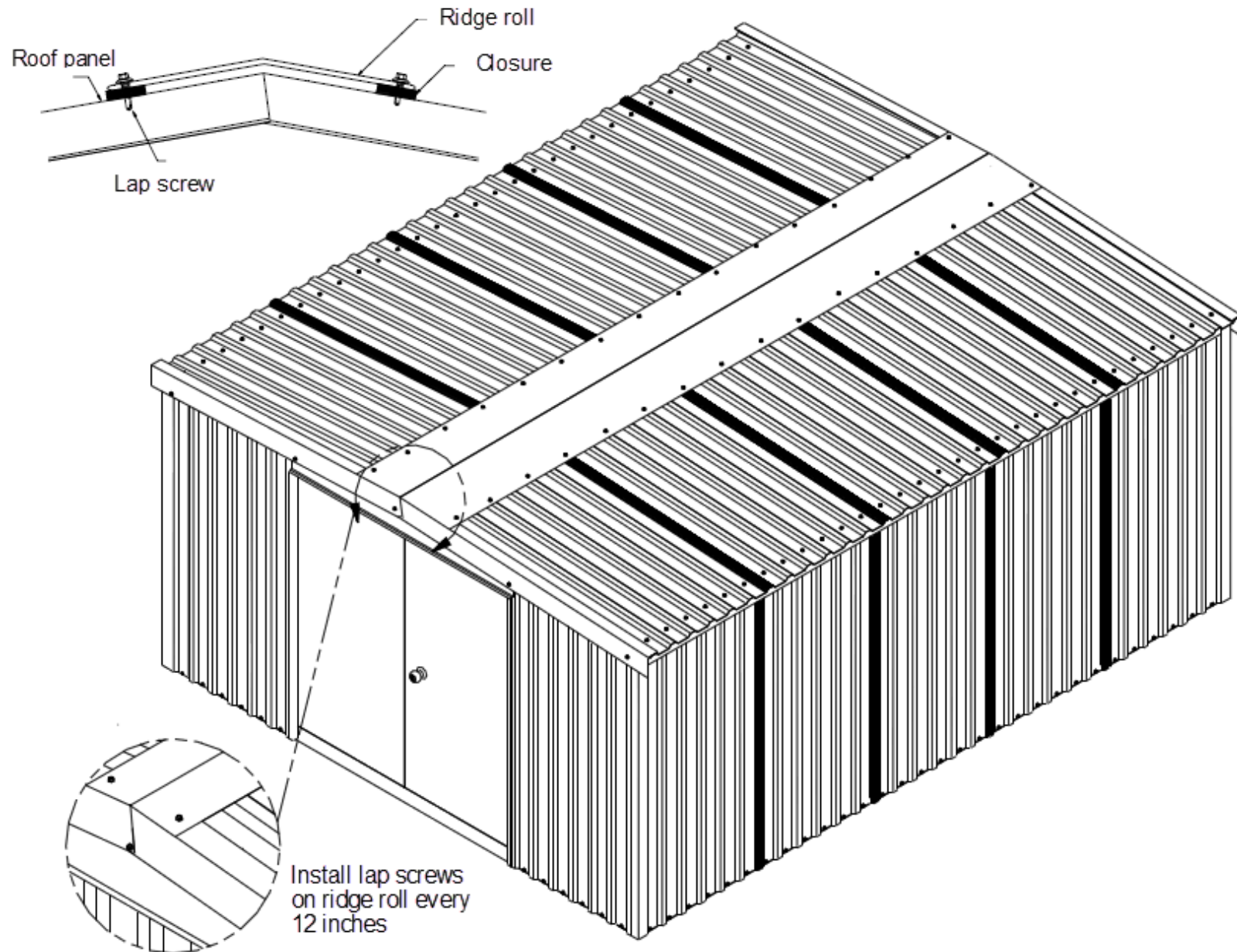
Roofing Trim Details

Note:

A chalk line will assist in closure and ridge roll placement.



Skylight Ridge Roll Installation



Total Building Measurements

