



MUELLER, INC.
METAL BUILDINGS, ROOFING & COMPONENTS

877-2-MUELLER

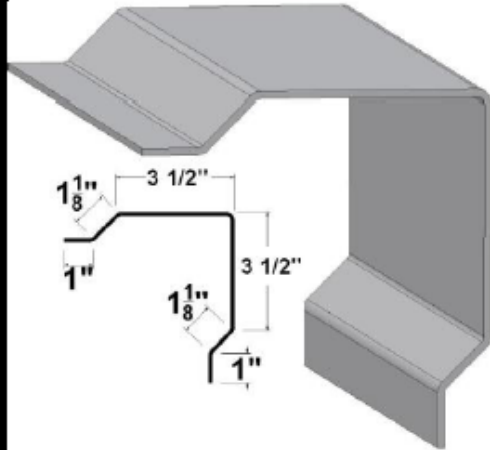
www.MuellerInc.com

12'x15' & 12'x21' DIY KIT FOR SLAB

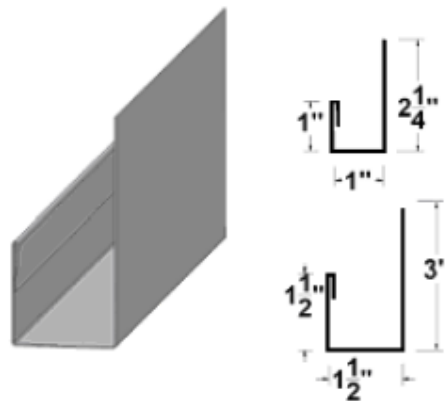
**Mueller BYK buildings do not meet any specific code or engineering criteria.
These buildings are intended to be erected in geographical locations which
do not require engineered loads for buildings under 400 sq. ft.**

TRIM PAGE

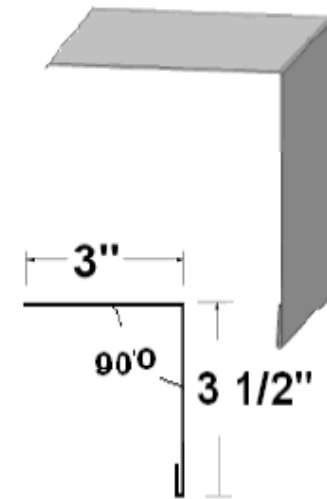
Outside Corner # 0150
UPN – CFP – APN 11.25"



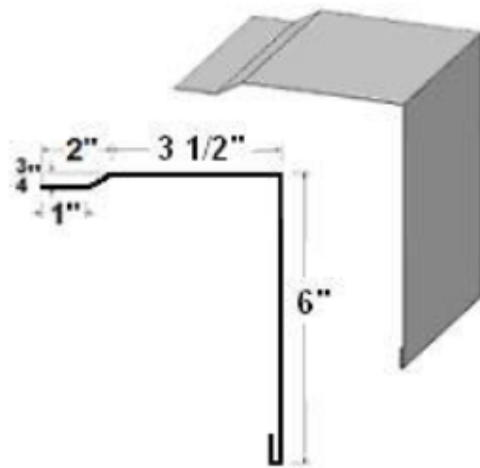
Door Head # 0300 & 0320
4.5" - 6.5"



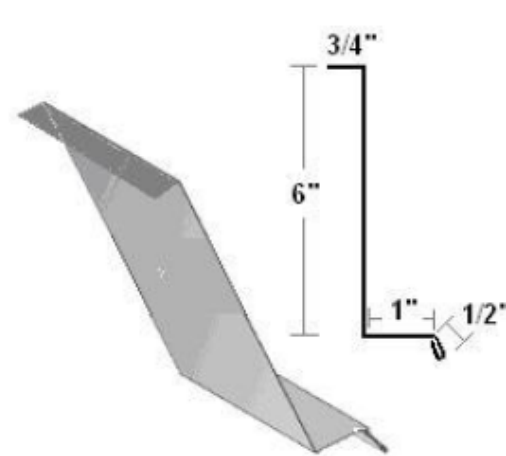
MNB Eave #0801 7"



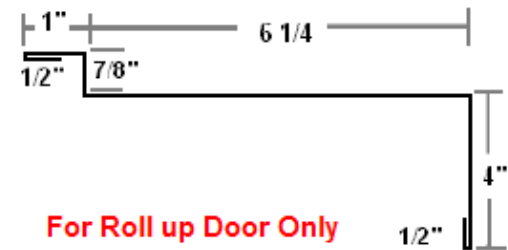
MNB OS Rake #1700 12"

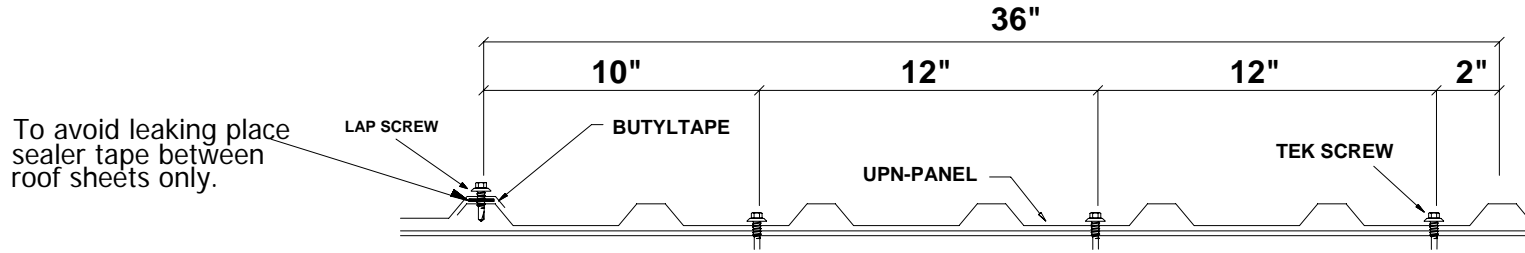


MNB IS Rake #1701 8.75"

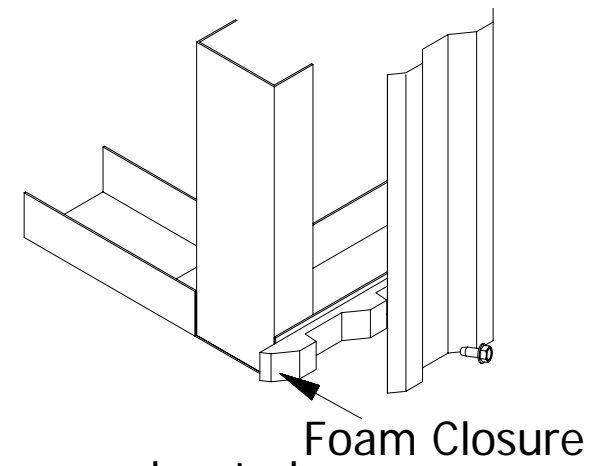
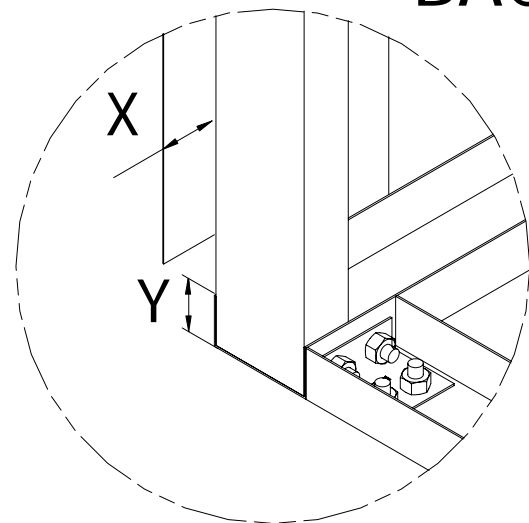


MNB RUD Flashing #1702
13.125"

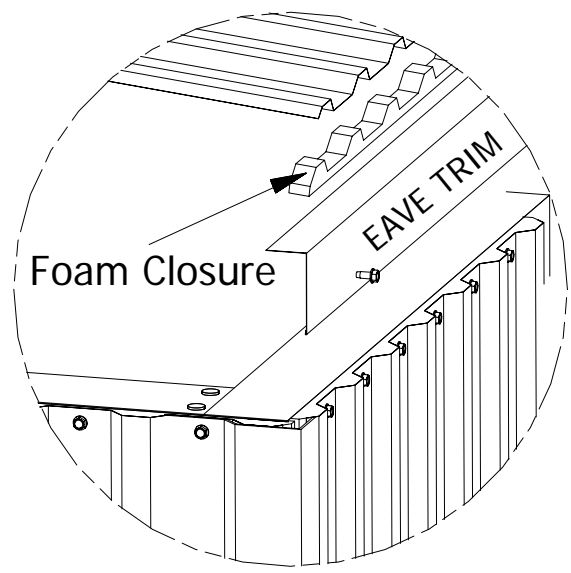
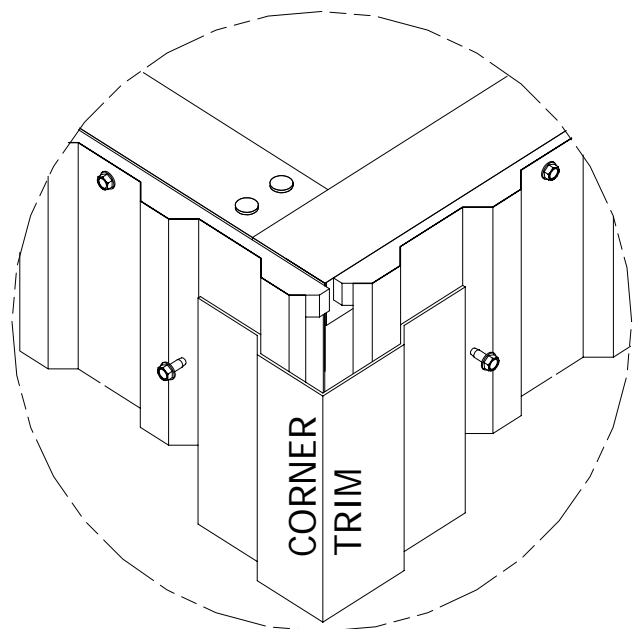




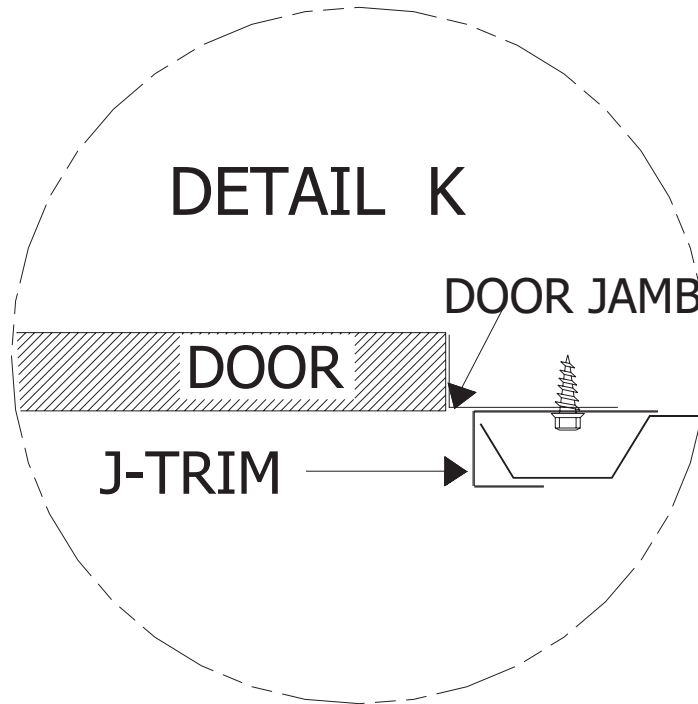
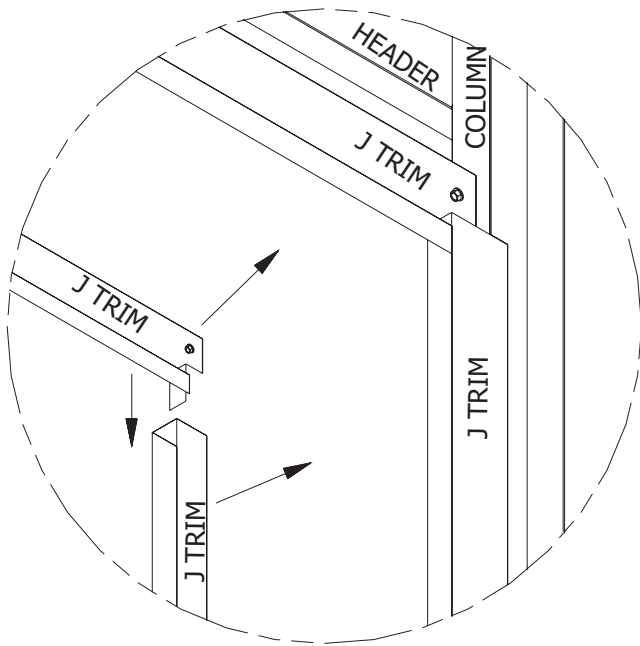
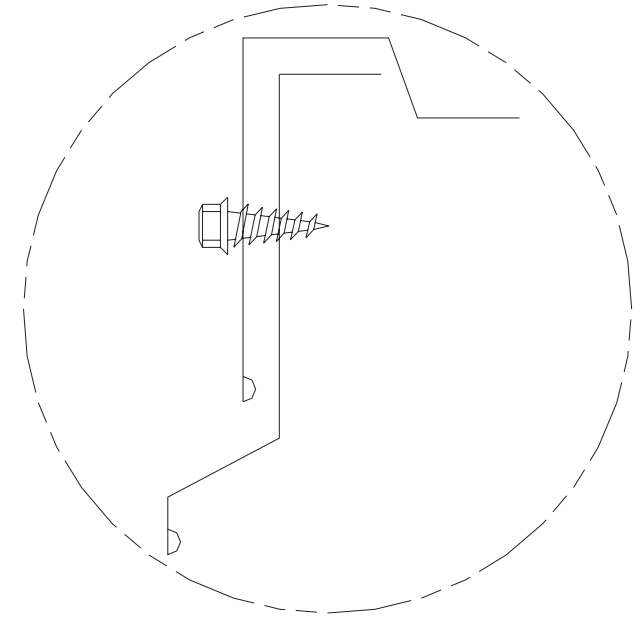
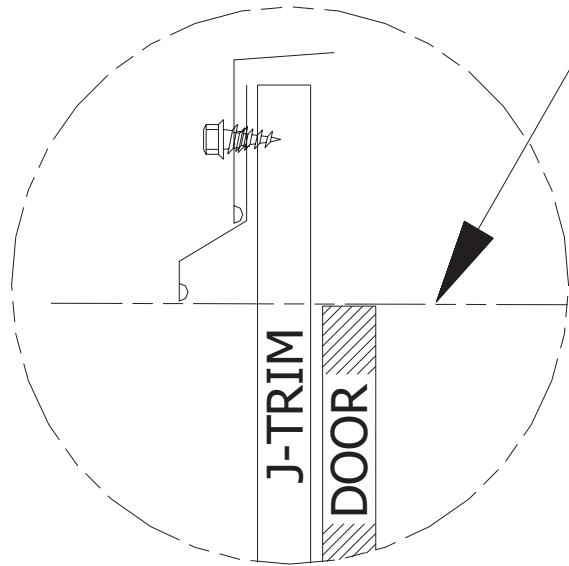
BACK SIDE VIEW



X & Y Dimensions are located further in the instructions

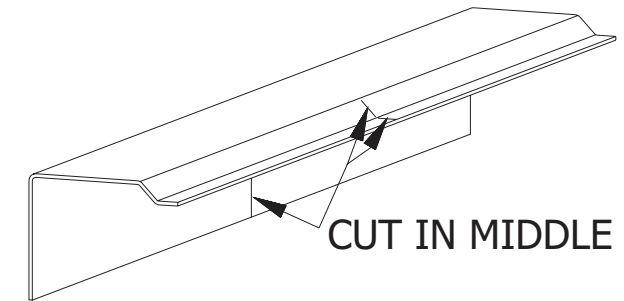
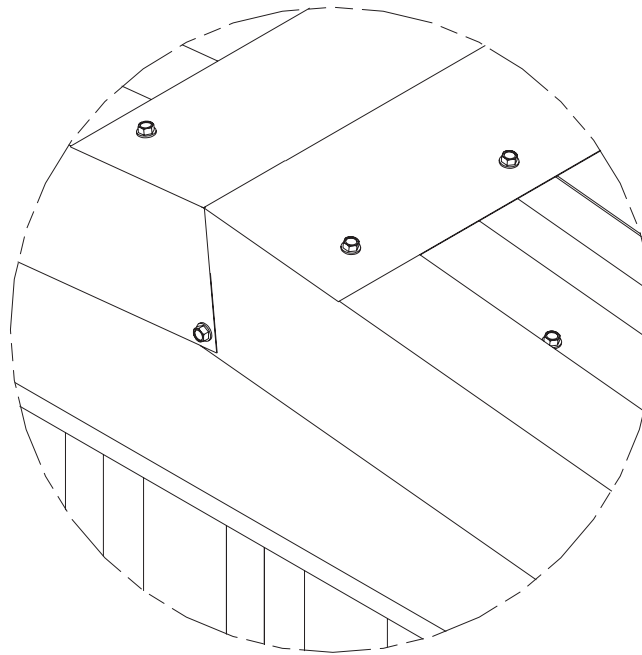
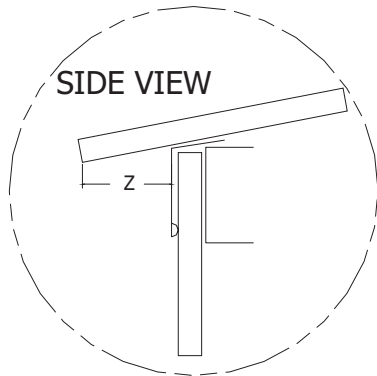
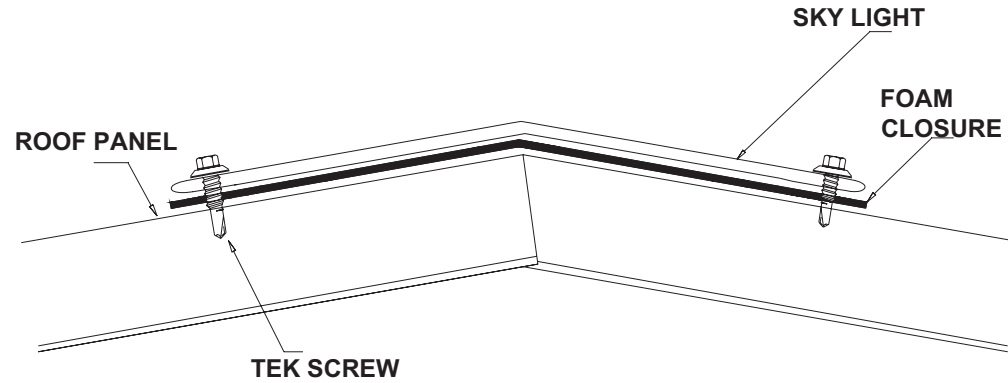
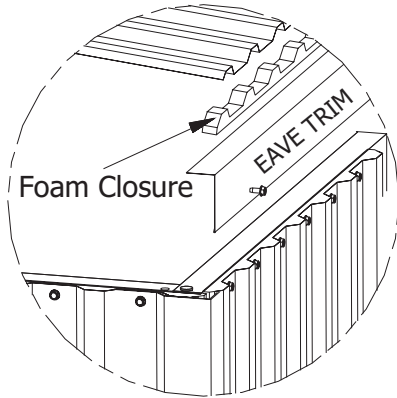
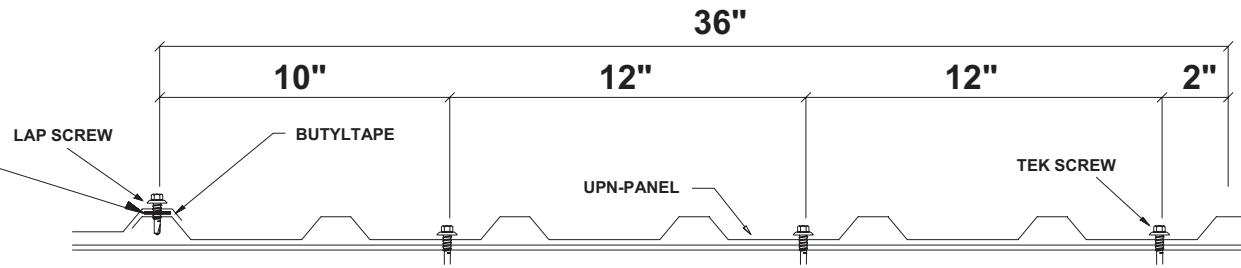


DOOR SHOULD BE LOWER THAN BOTTOM OF TRIM

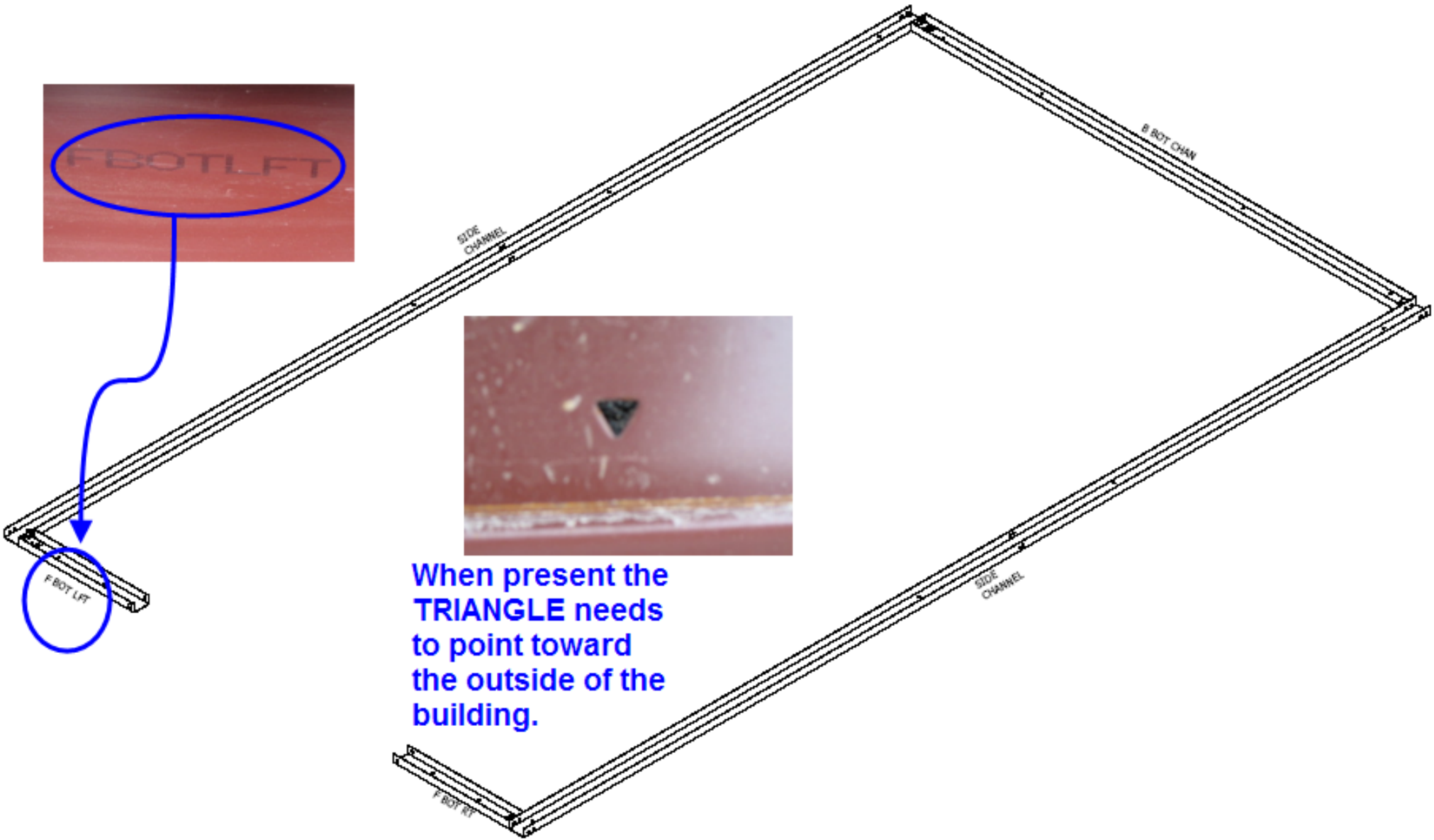


**NOTE FOR DOOR SIDE SHEETING ONLY:
START SHEET FLUSH WITH J-TRIM
ON BOTH SIDES OF DOOR**

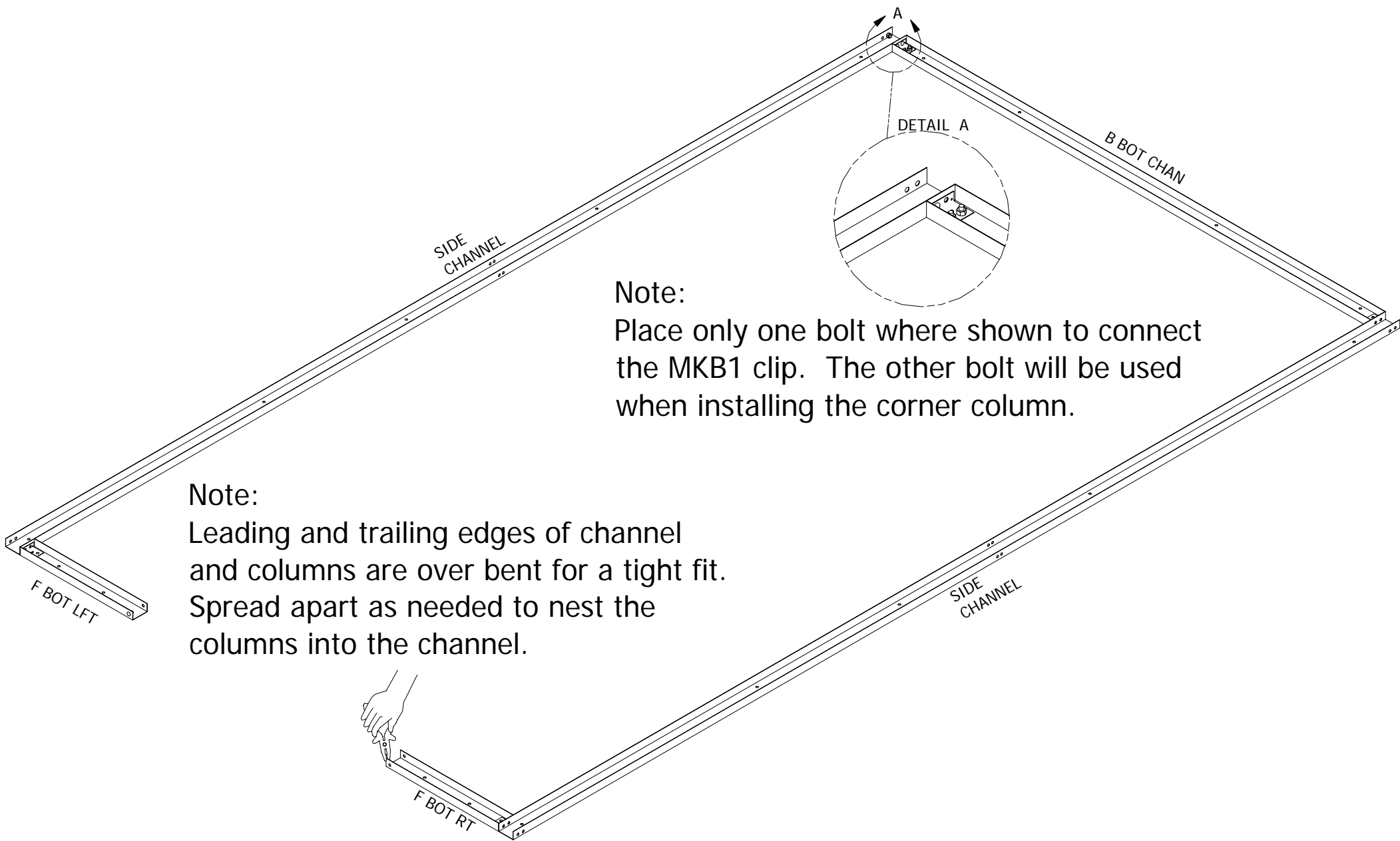
To avoid leaking place sealer tape between roof sheets only.



"Z" Dimensions can be found Later in the instructions

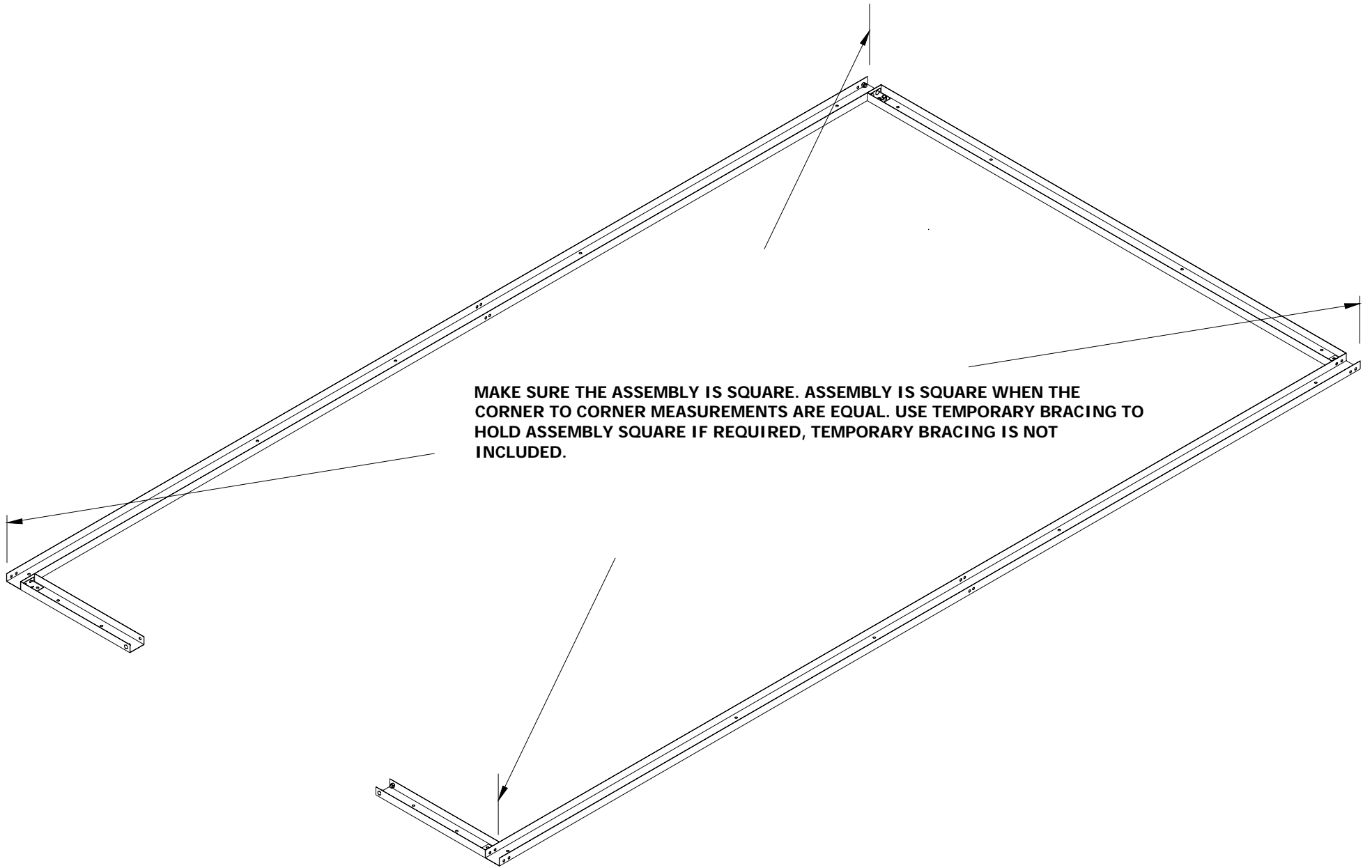


When present the **TRIANGLE** needs to point toward the outside of the building.



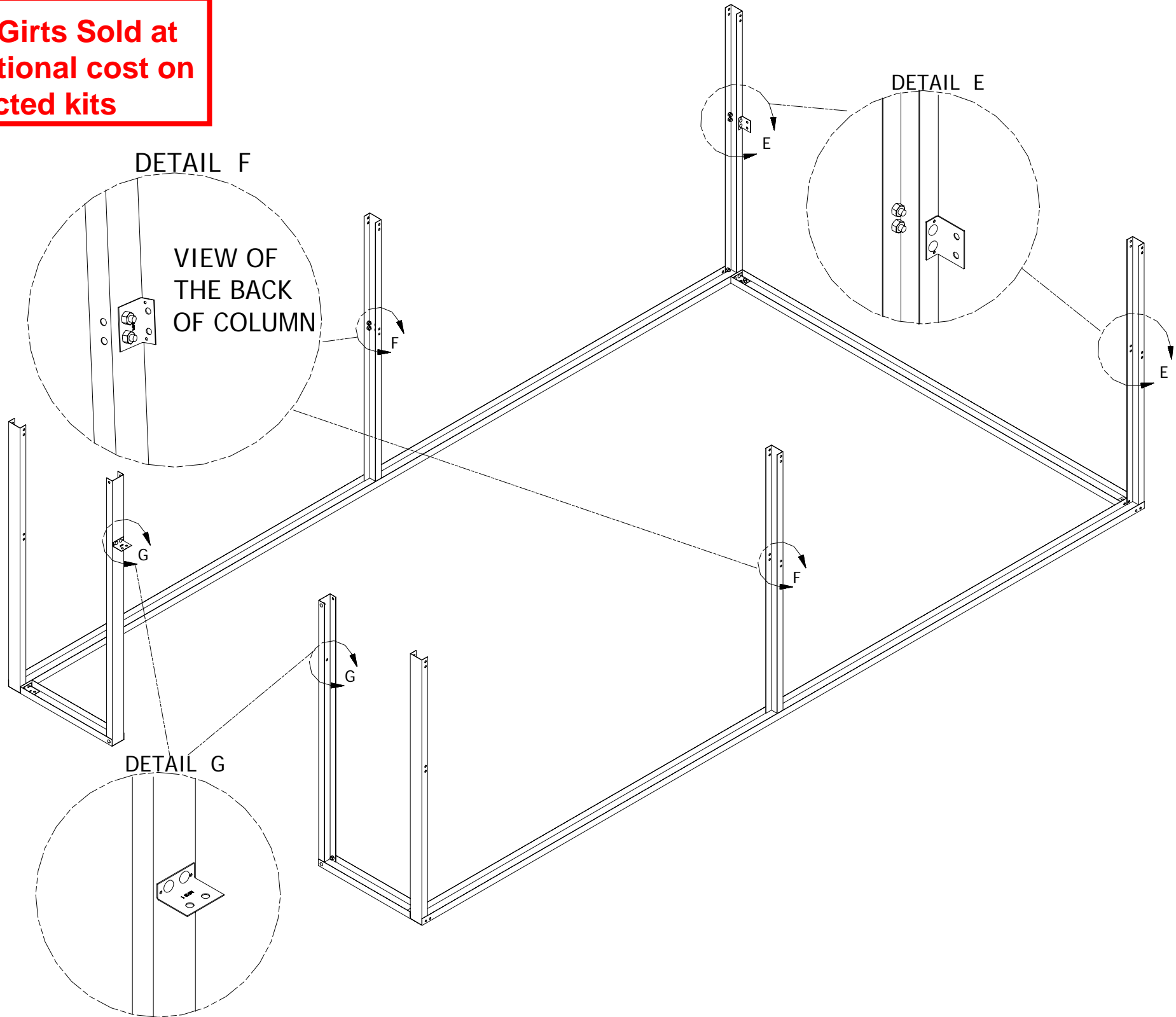
Note:
Place only one bolt where shown to connect the MKB1 clip. The other bolt will be used when installing the corner column.

Note:
Leading and trailing edges of channel and columns are over bent for a tight fit. Spread apart as needed to nest the columns into the channel.

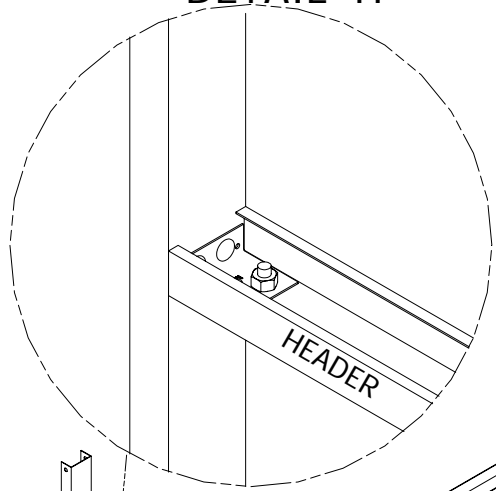


MAKE SURE THE ASSEMBLY IS SQUARE. ASSEMBLY IS SQUARE WHEN THE CORNER TO CORNER MEASUREMENTS ARE EQUAL. USE TEMPORARY BRACING TO HOLD ASSEMBLY SQUARE IF REQUIRED, TEMPORARY BRACING IS NOT INCLUDED.

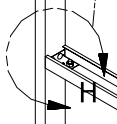
Mid-Girts Sold at additional cost on selected kits



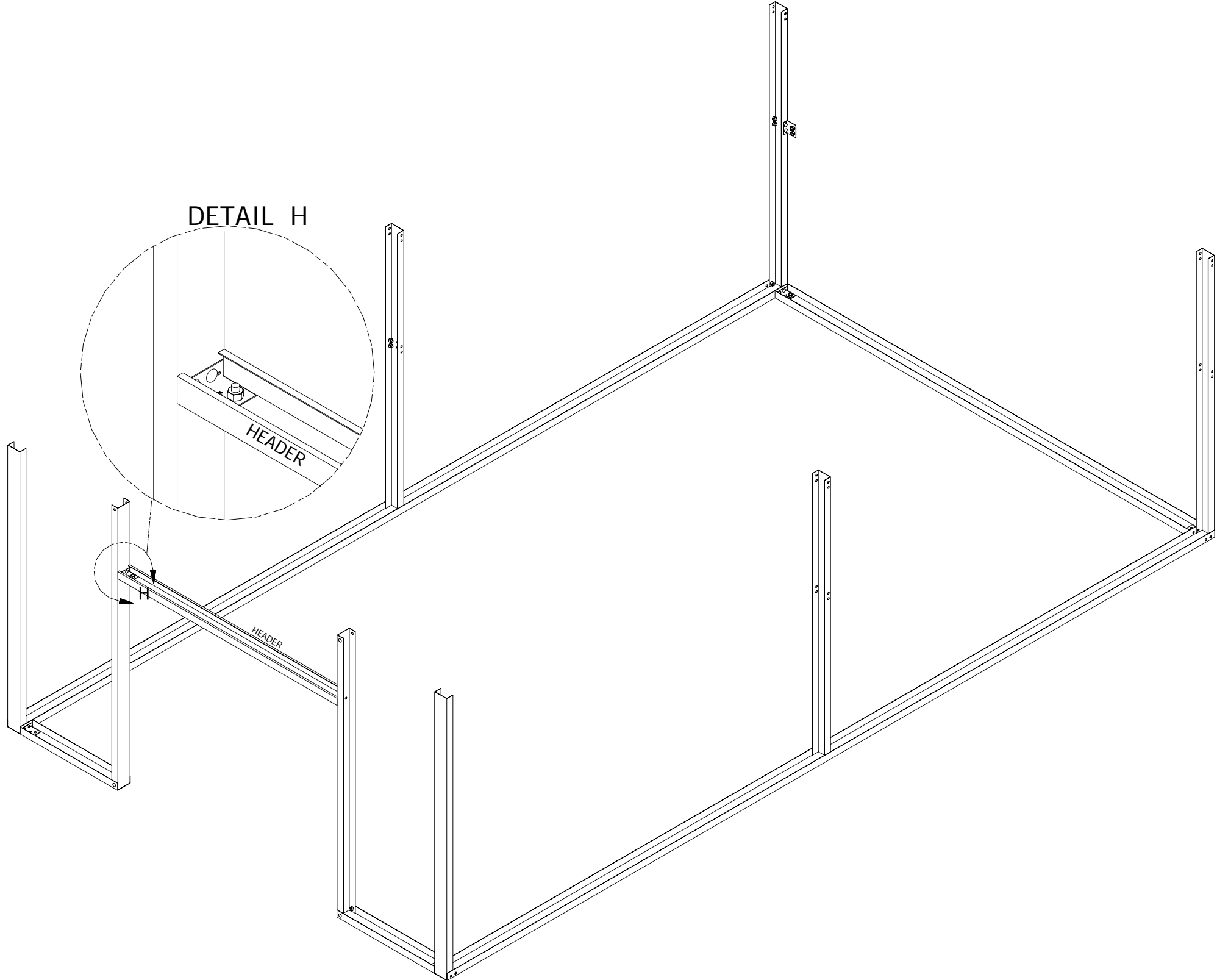
DETAIL H



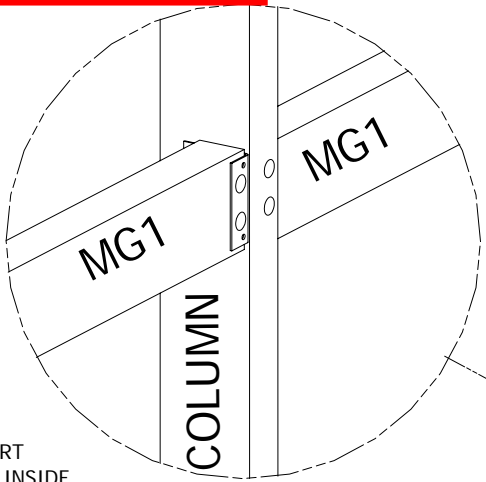
HEADER



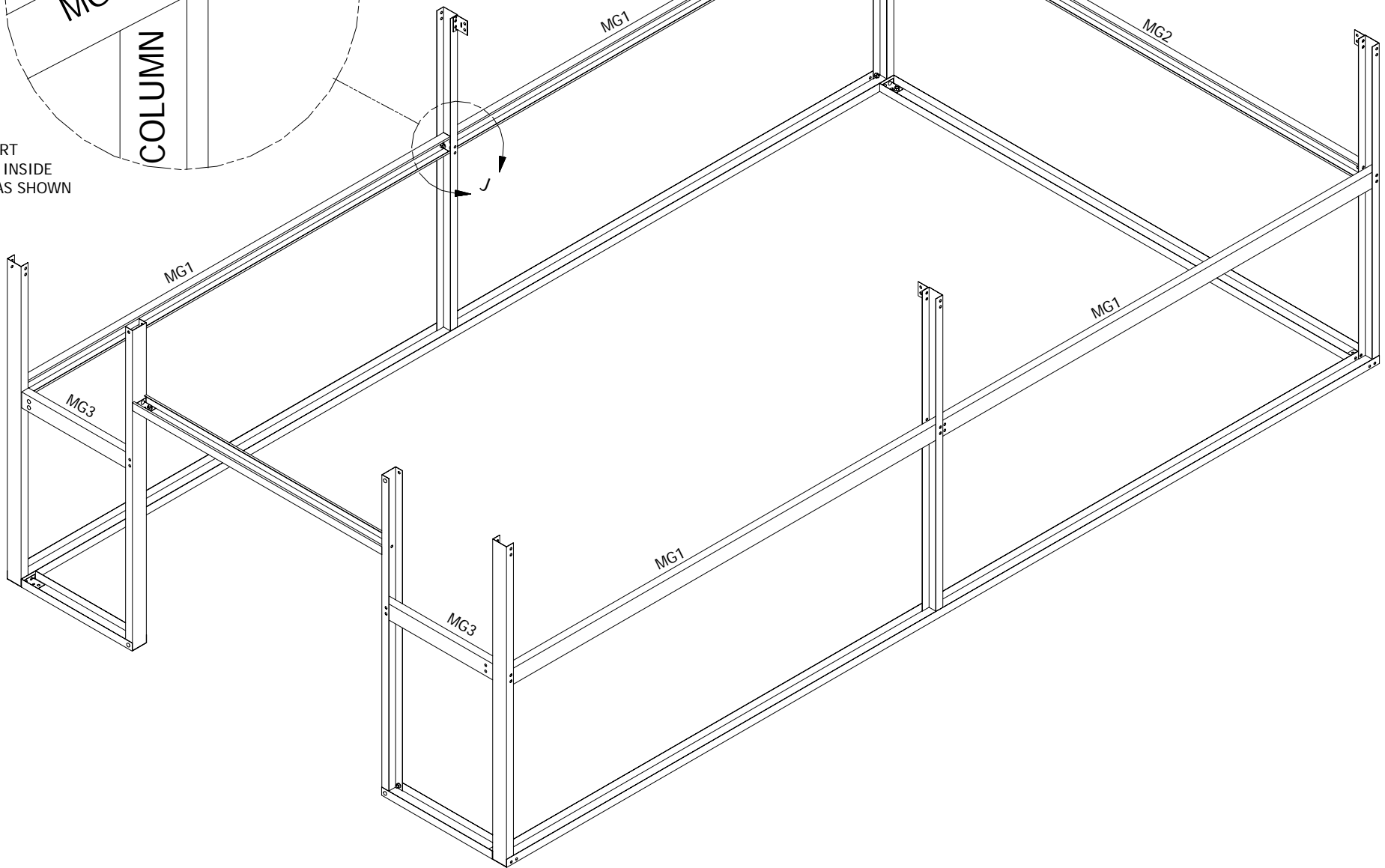
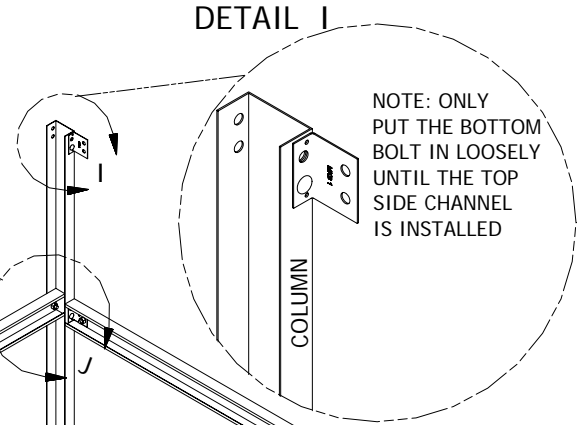
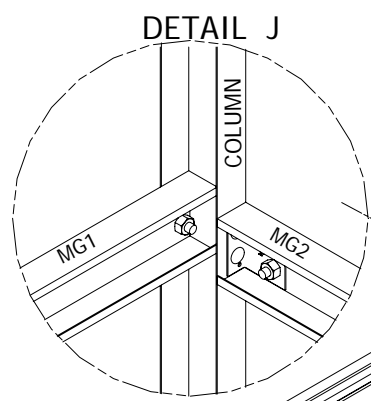
HEADER

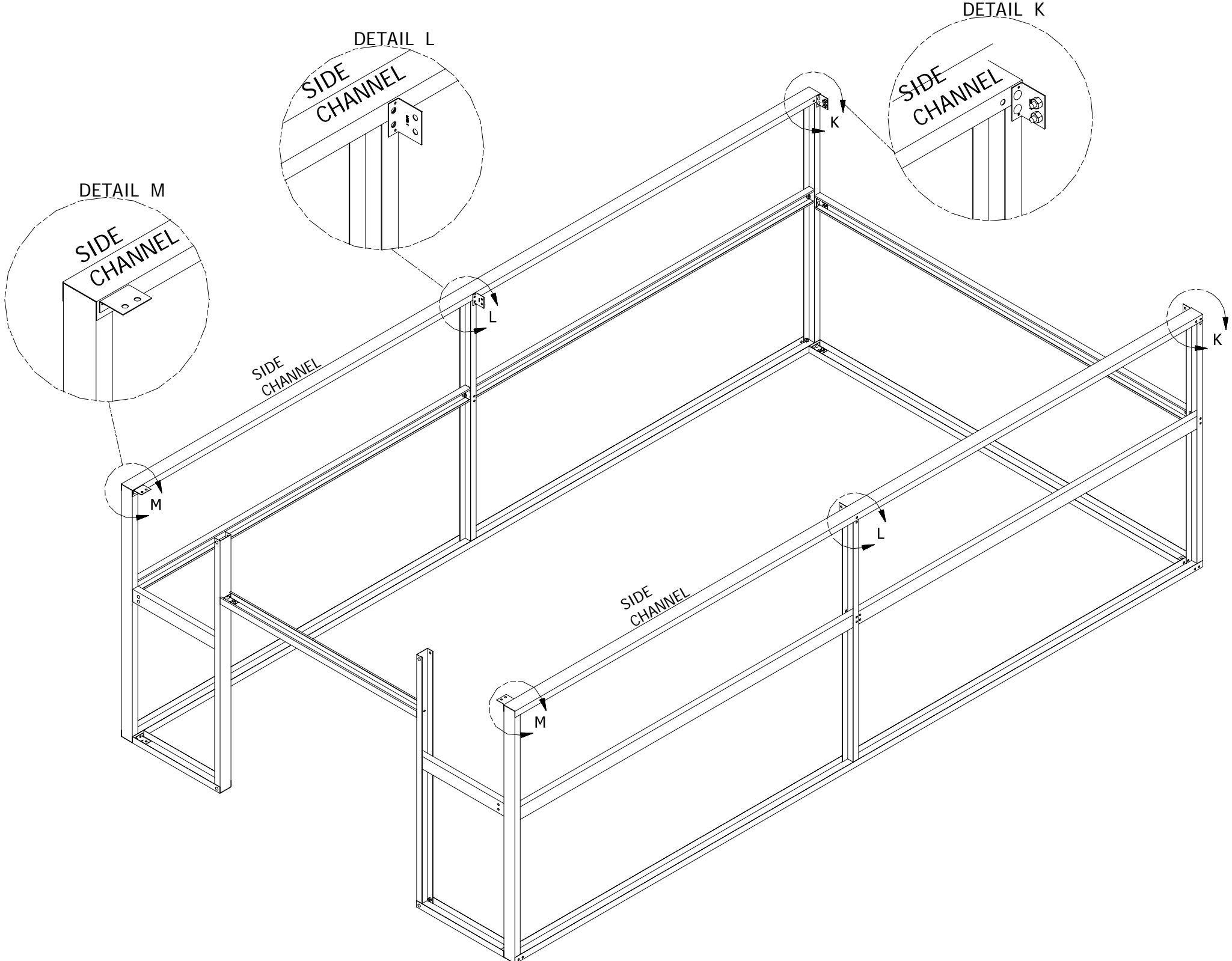


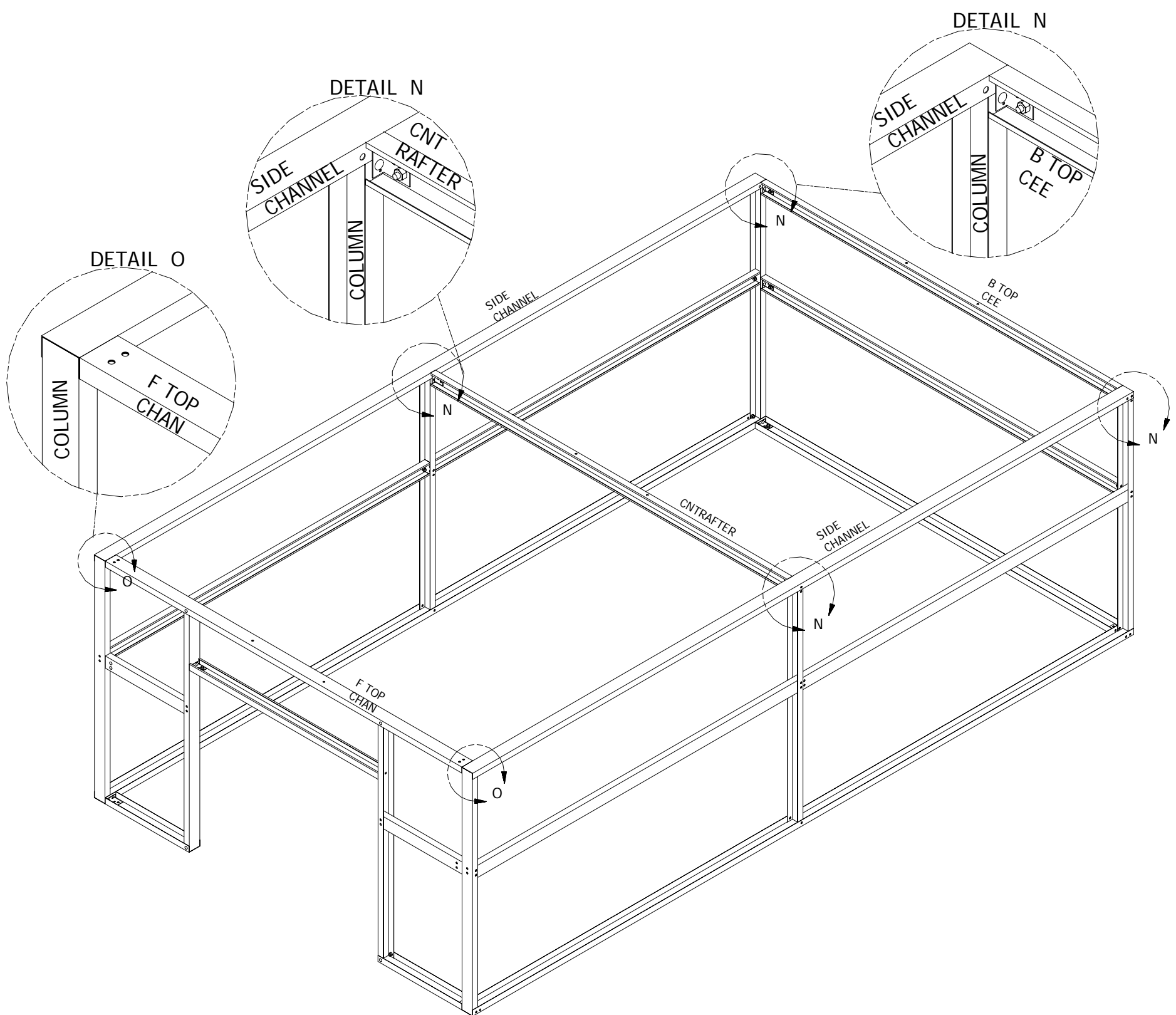
Mid-Girts Sold at additional cost on selected kits



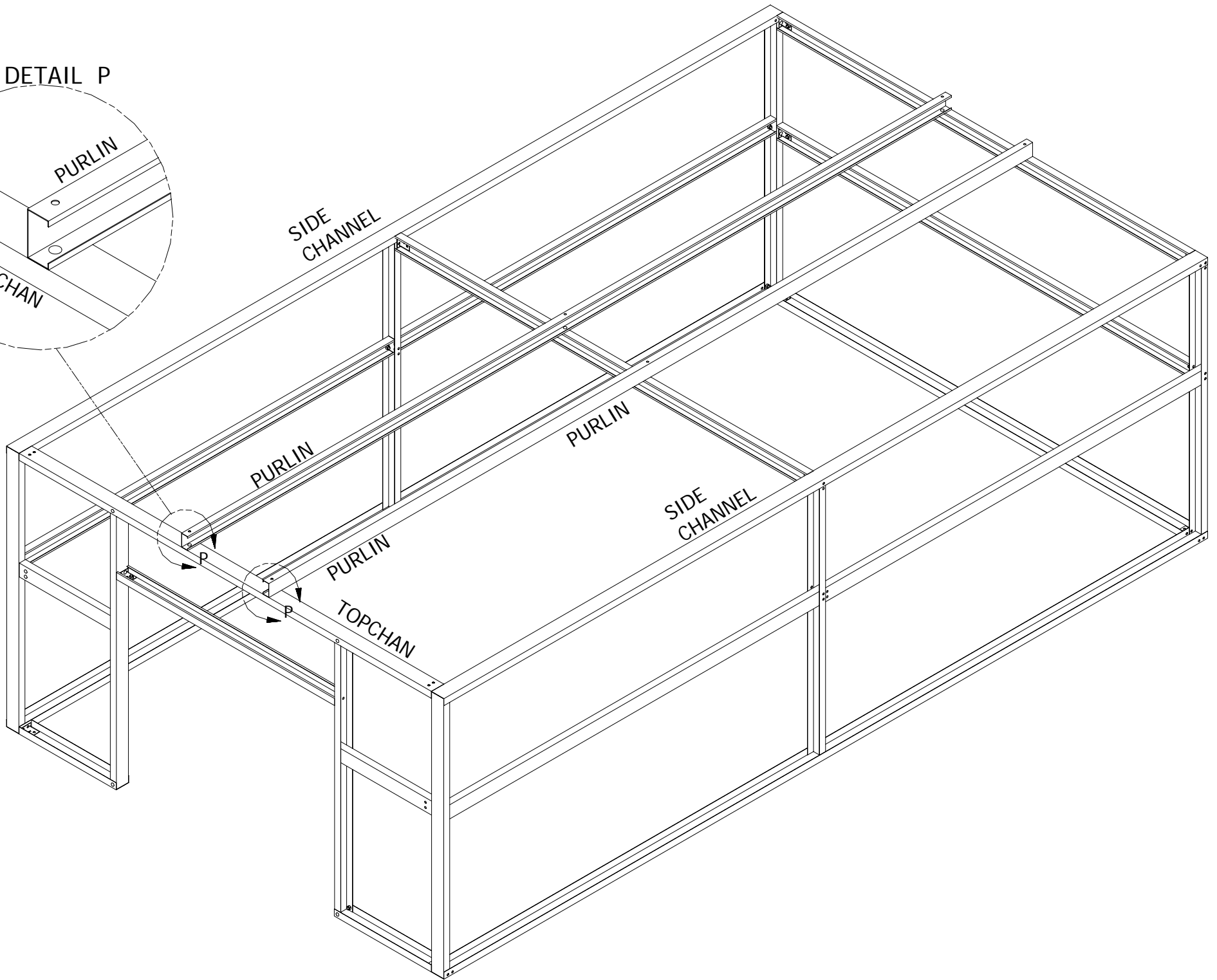
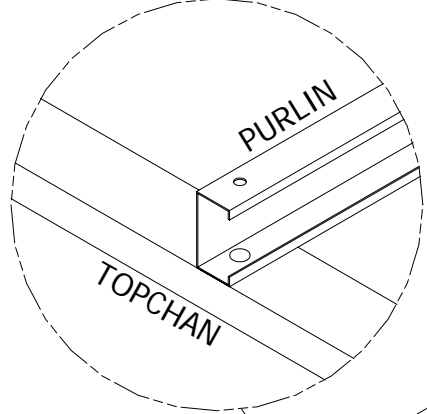
NOTE: THE GIRT GOES TO THE INSIDE OF THE CLIP AS SHOWN



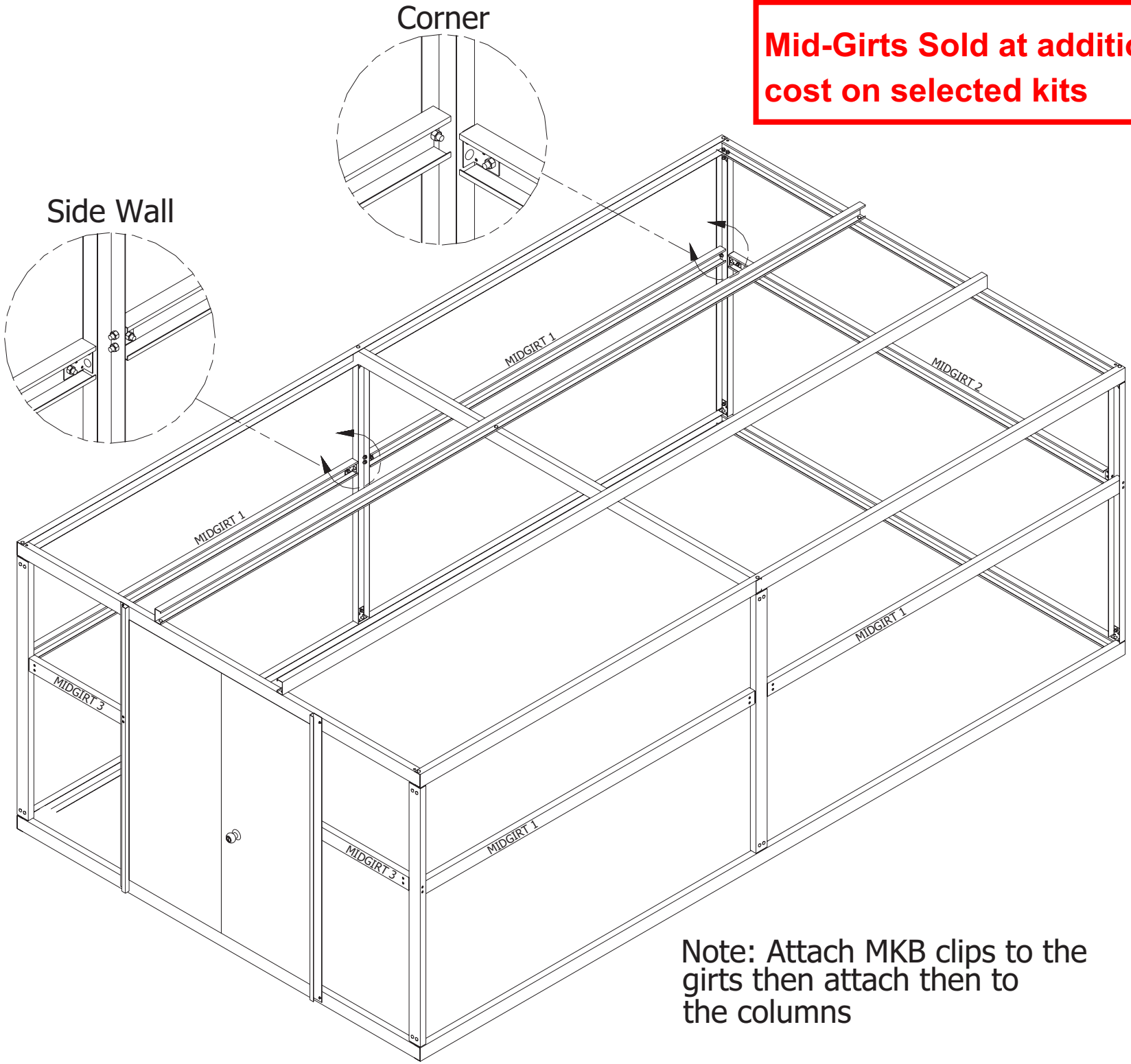




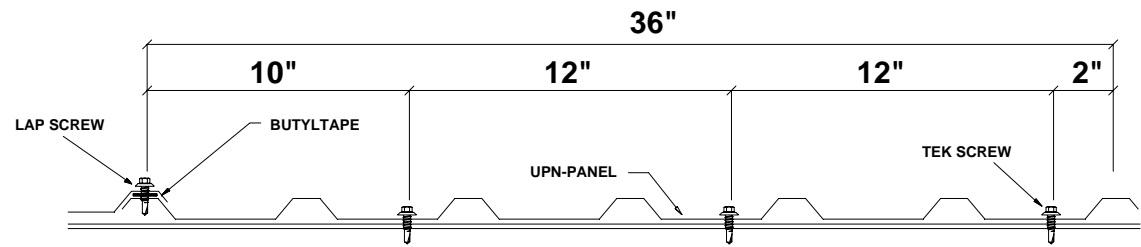
DETAIL P



Mid-Girts Sold at additional cost on selected kits

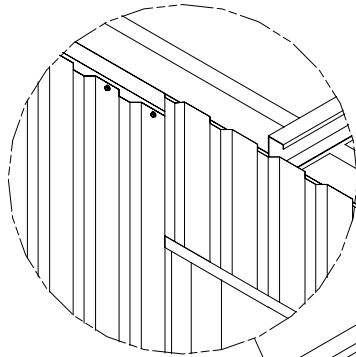


Note: Attach MKB clips to the girts then attach them to the columns

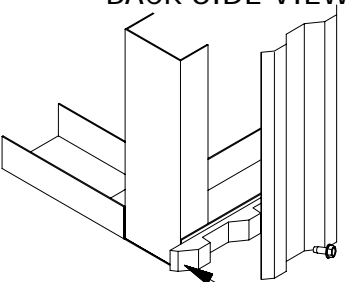


DETAIL R

On the endwall with the framed opening, start sheeting on one corner and work your way across.

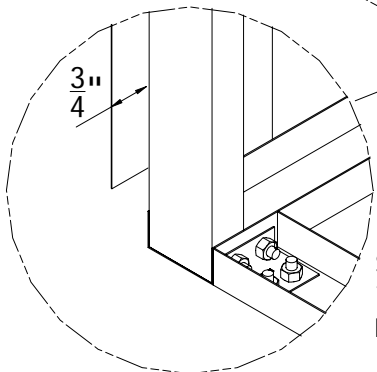


BACK SIDE VIEW

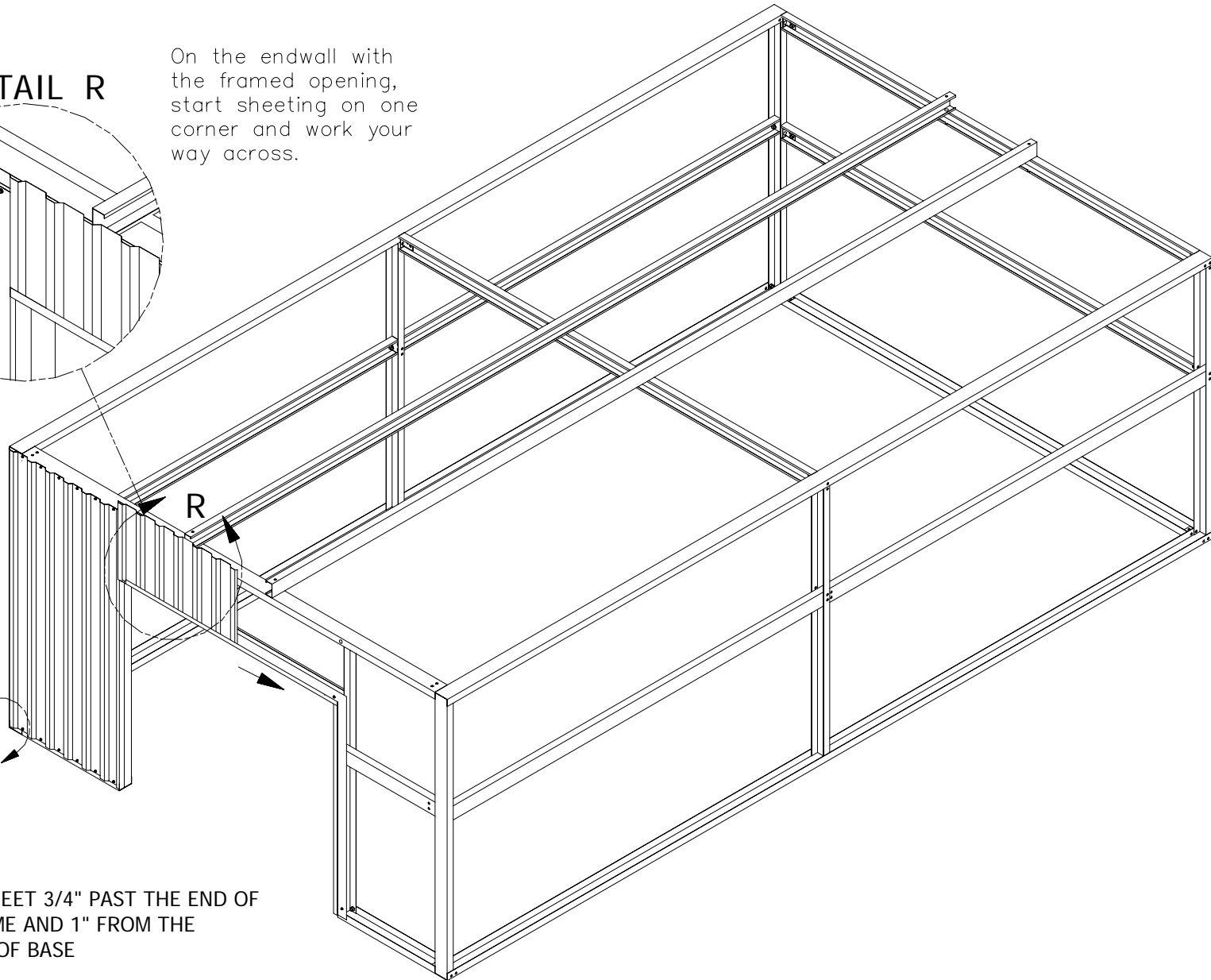


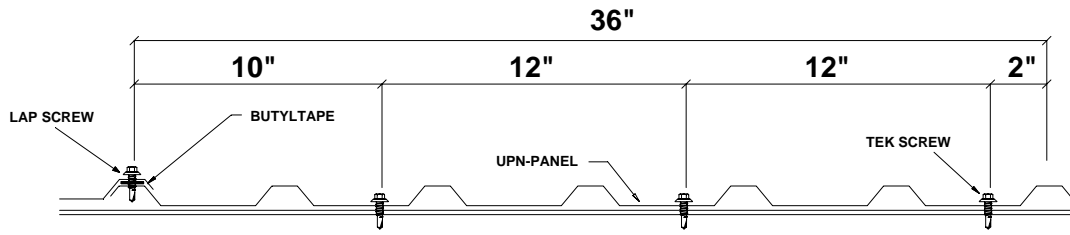
Foam Closure

DETAIL Q

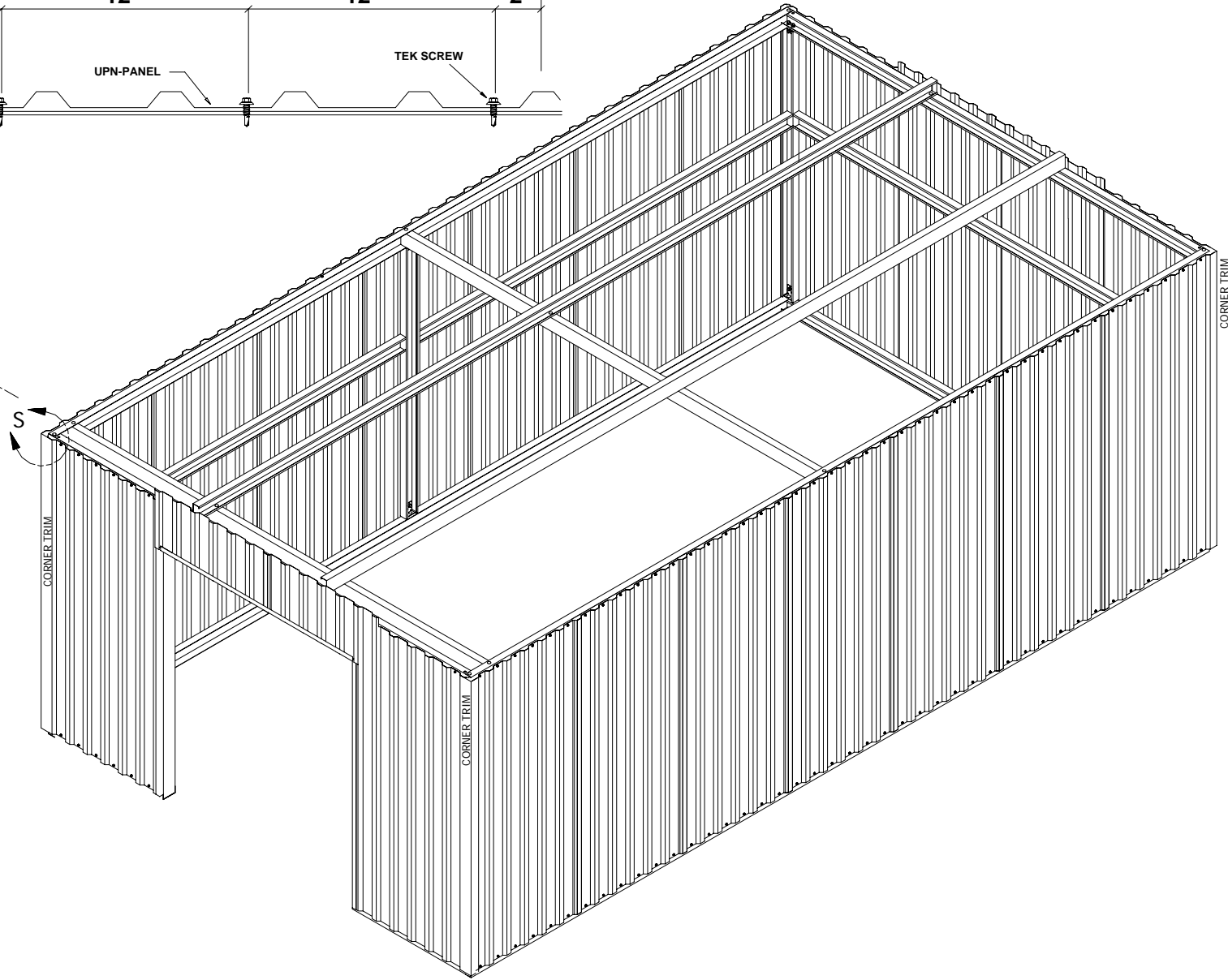
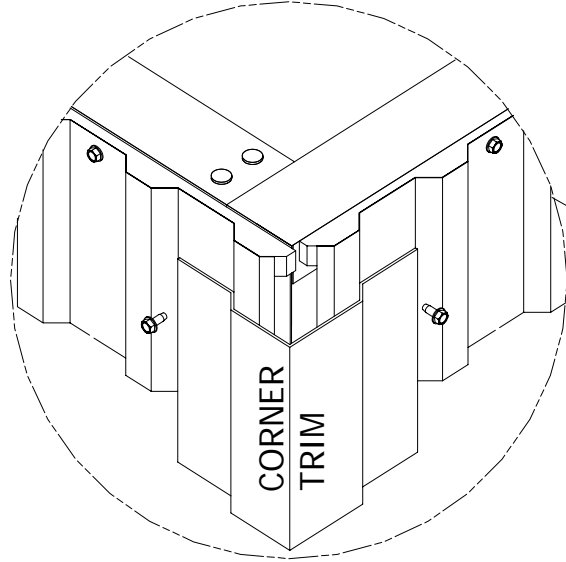


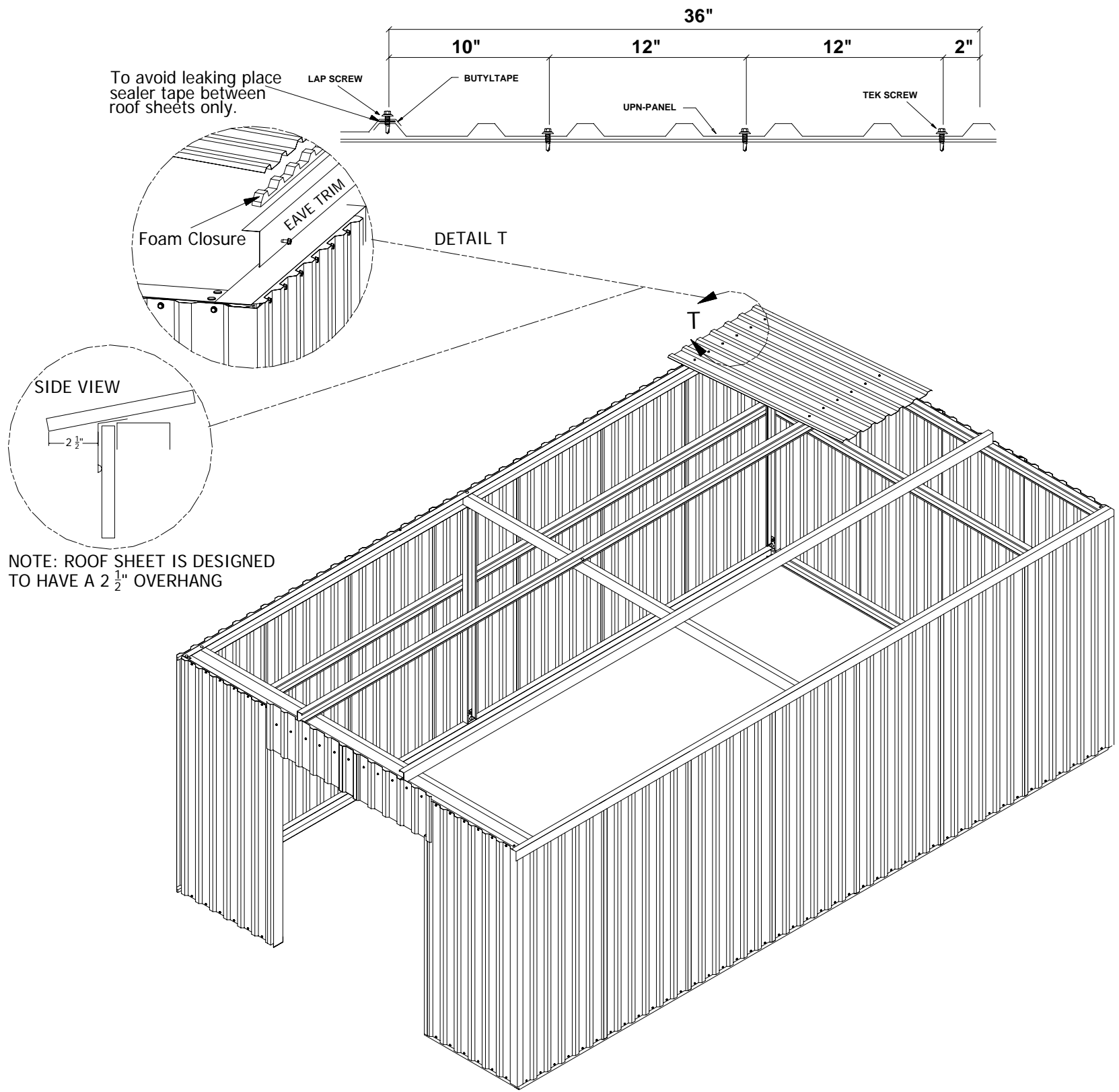
START SHEET $\frac{3}{4}$ " PAST THE END OF THE FRAME AND 1" FROM THE BOTTOM OF BASE

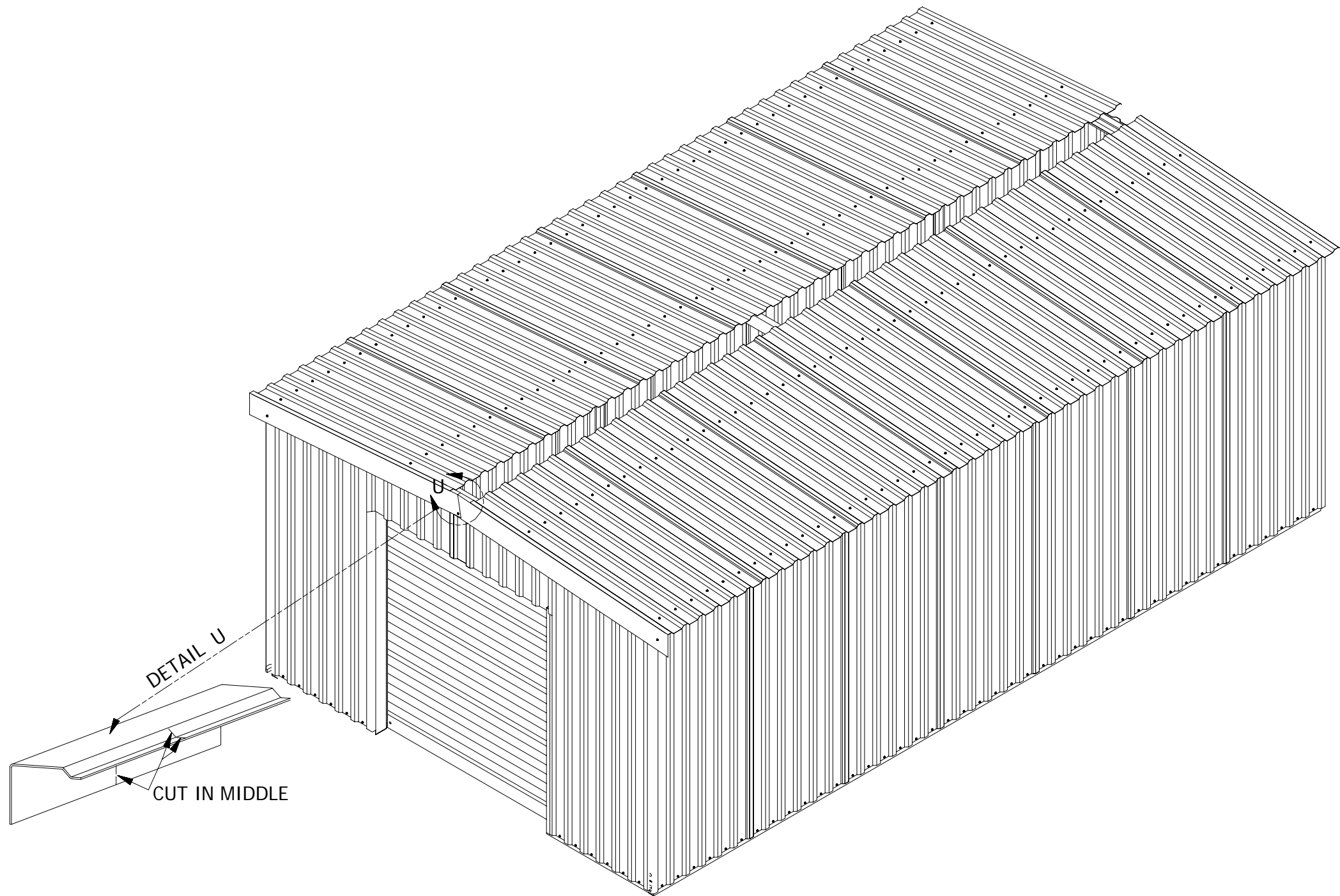


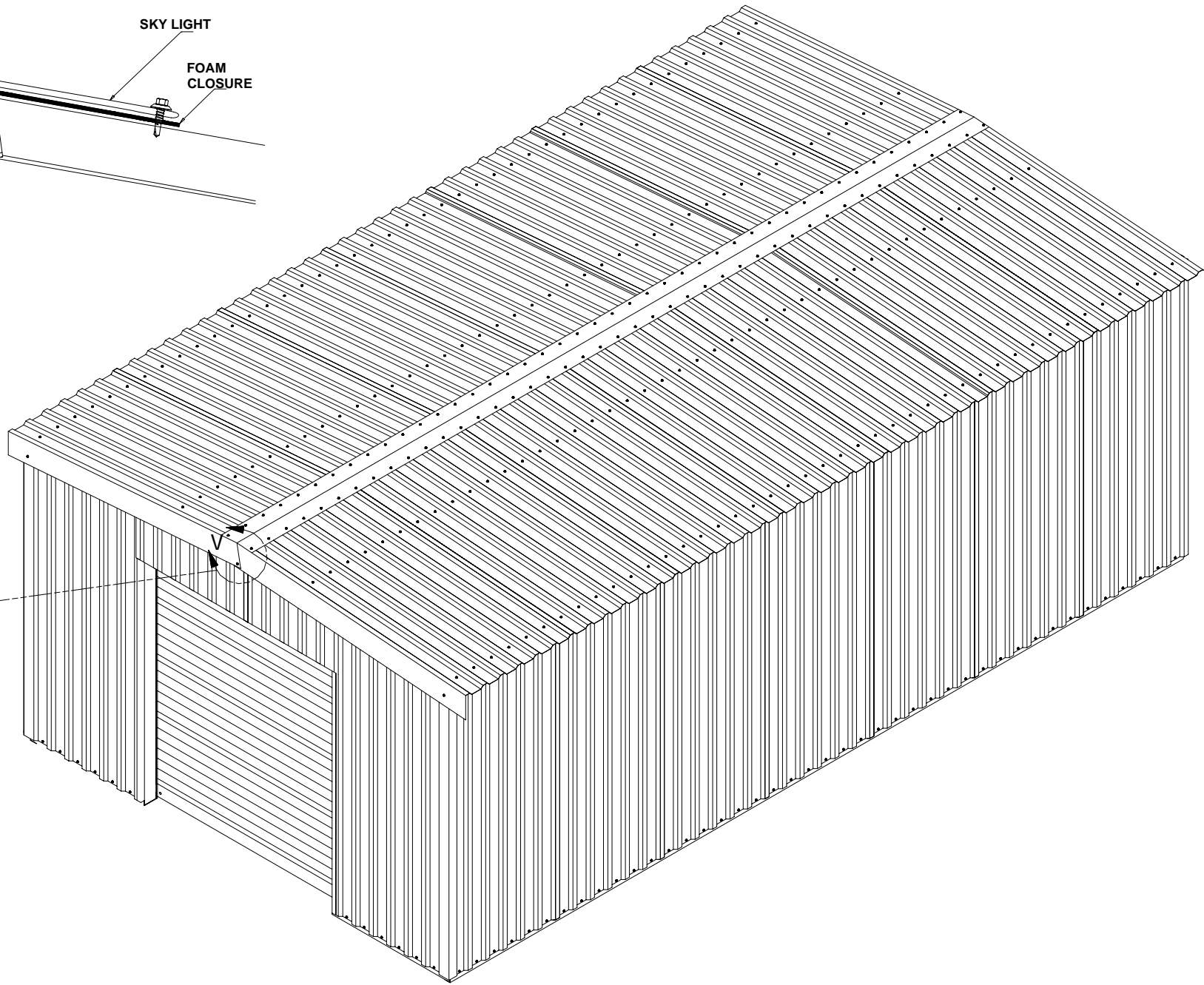
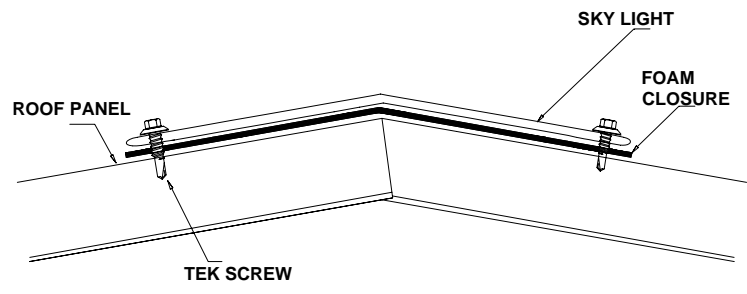


DETAIL S

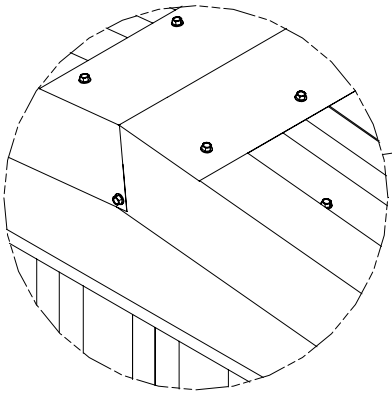






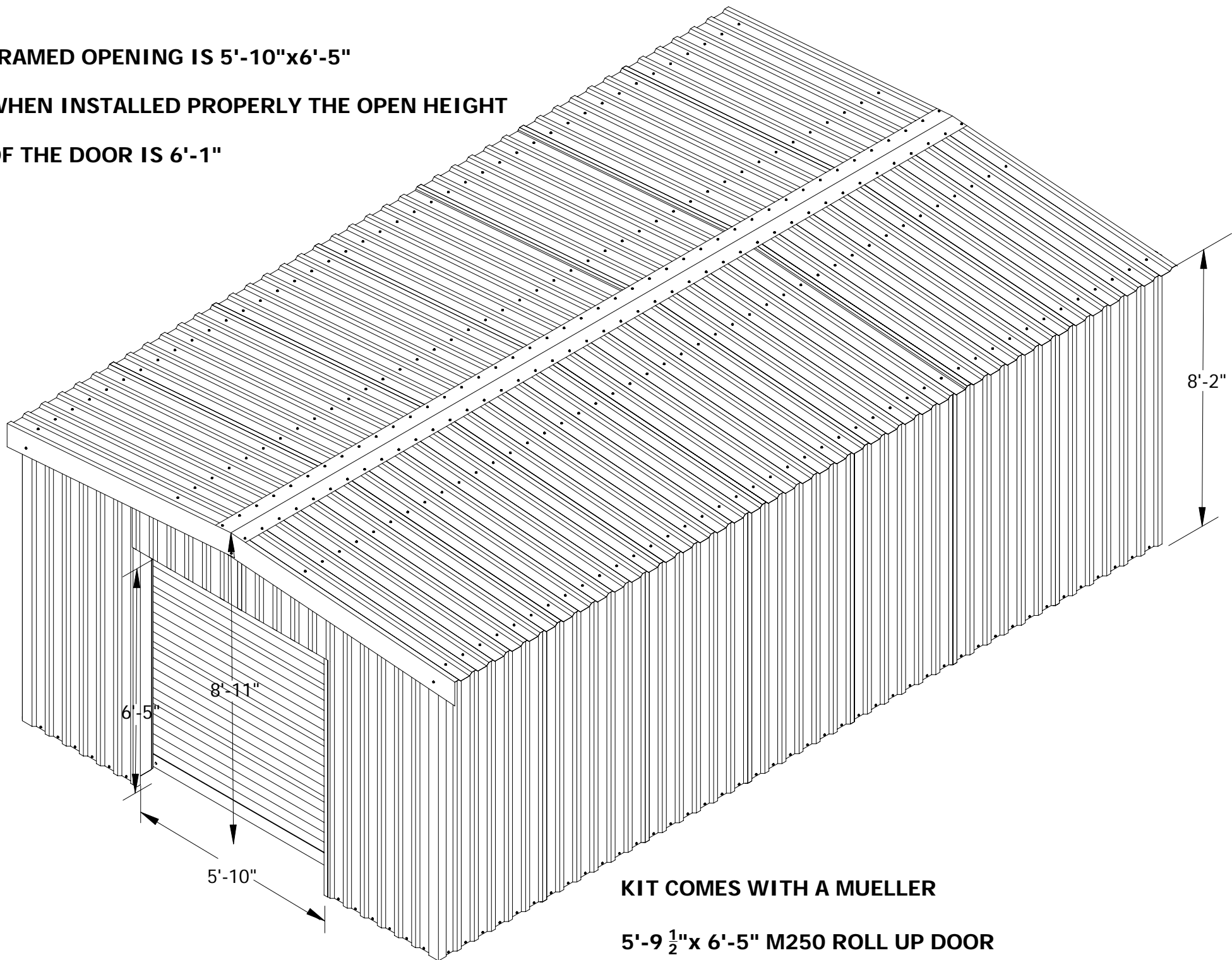


DETAIL V



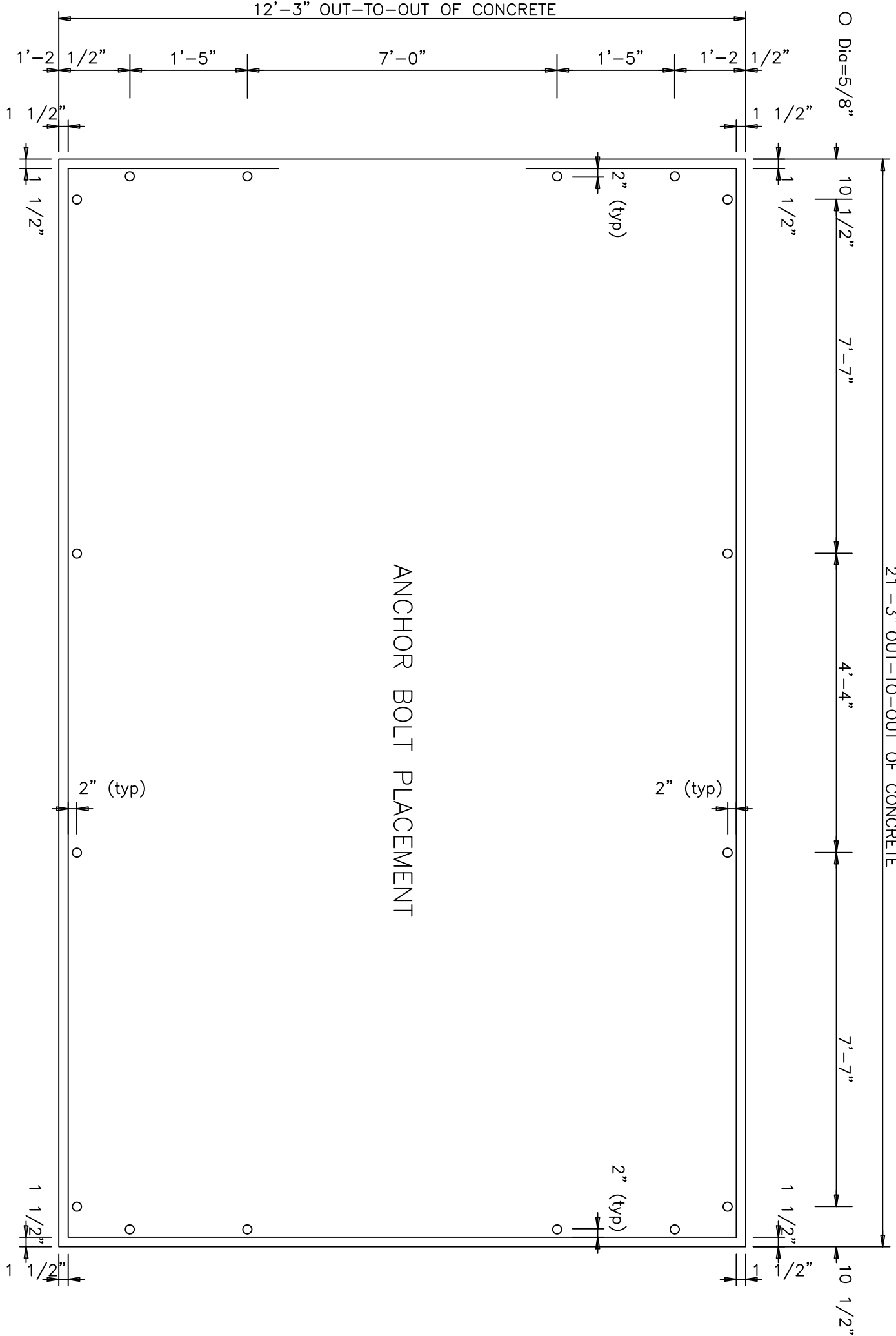
FRAMED OPENING IS 5'-10"x6'-5"

**WHEN INSTALLED PROPERLY THE OPEN HEIGHT
OF THE DOOR IS 6'-1"**



KIT COMES WITH A MUELLER

5'-9 1/2" x 6'-5" M250 ROLL UP DOOR

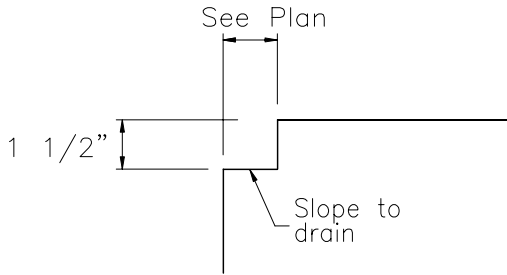


ANCHOR BOLT PLACEMENT

ANCHOR BOLT PLACEMENT DETAILS

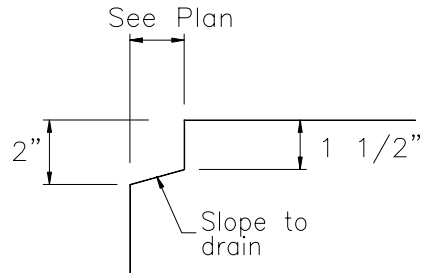
SPECIAL NOTE:

One of the methods below must be used to maintain your Edge Creep Warrantee. See erection details for additional information.



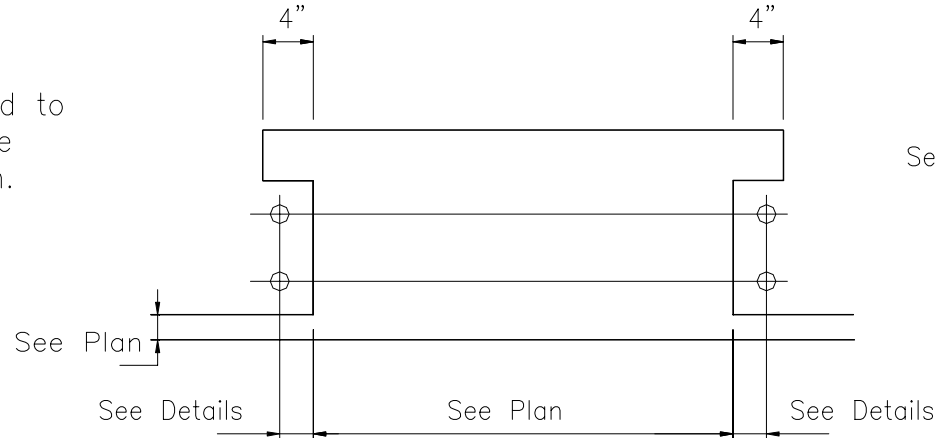
TYP. SHEETING RECESS WITH BASE DRIP EDGE TRIM

Base Drip Edge Trim must be used to maintain Edge Creep Warrantee.

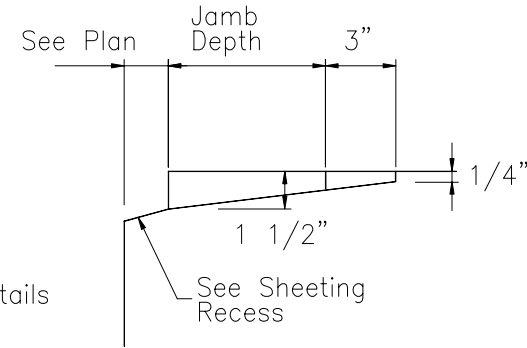


TYP. SHEETING RECESS WITHOUT BASE DRIP EDGE TRIM

Base Drip Edge Trim not required to maintain Edge Creep Warrantee.



O. H. DOOR BOLT LAYOUT



TYP. O. H. DOOR RECESS

