



877-2-MUELLER

www.muellerinc.com

6x9 (DIY) with Optional Center Girts and Floor Kit Instructions

Mueller DIY buildings are not engineered structures and do not meet any specific building code criteria.

Parts List

There is not an attached parts list included in these instructions. Due to continuing improvements, the parts list is the itemized invoice delivered with your building.

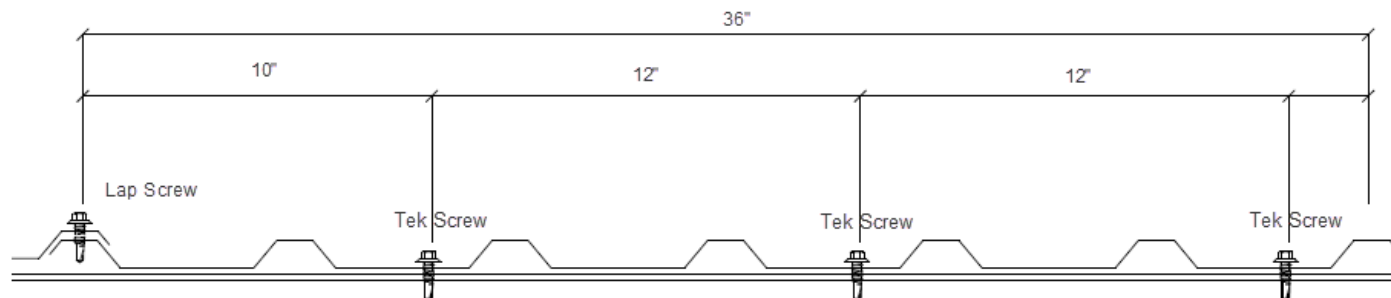
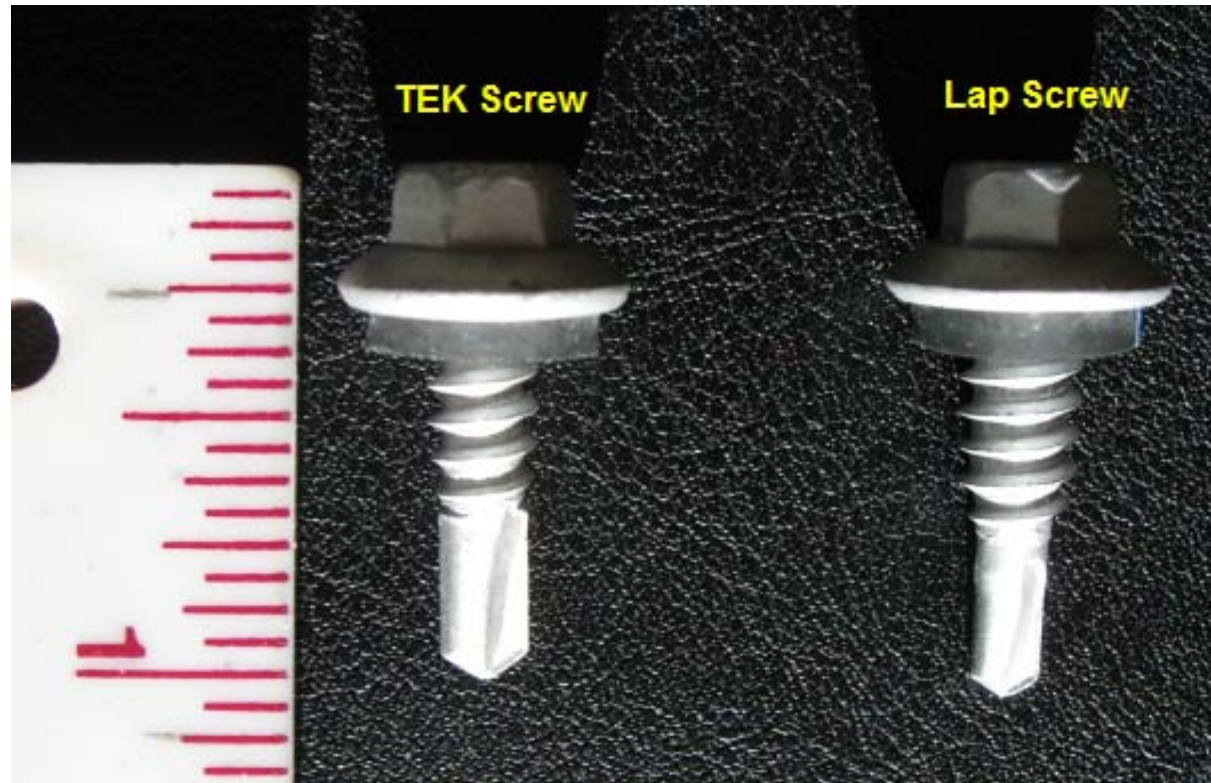
All parts are stenciled on the inside of the channel, purlin, girts and rafters. Example of this is below:



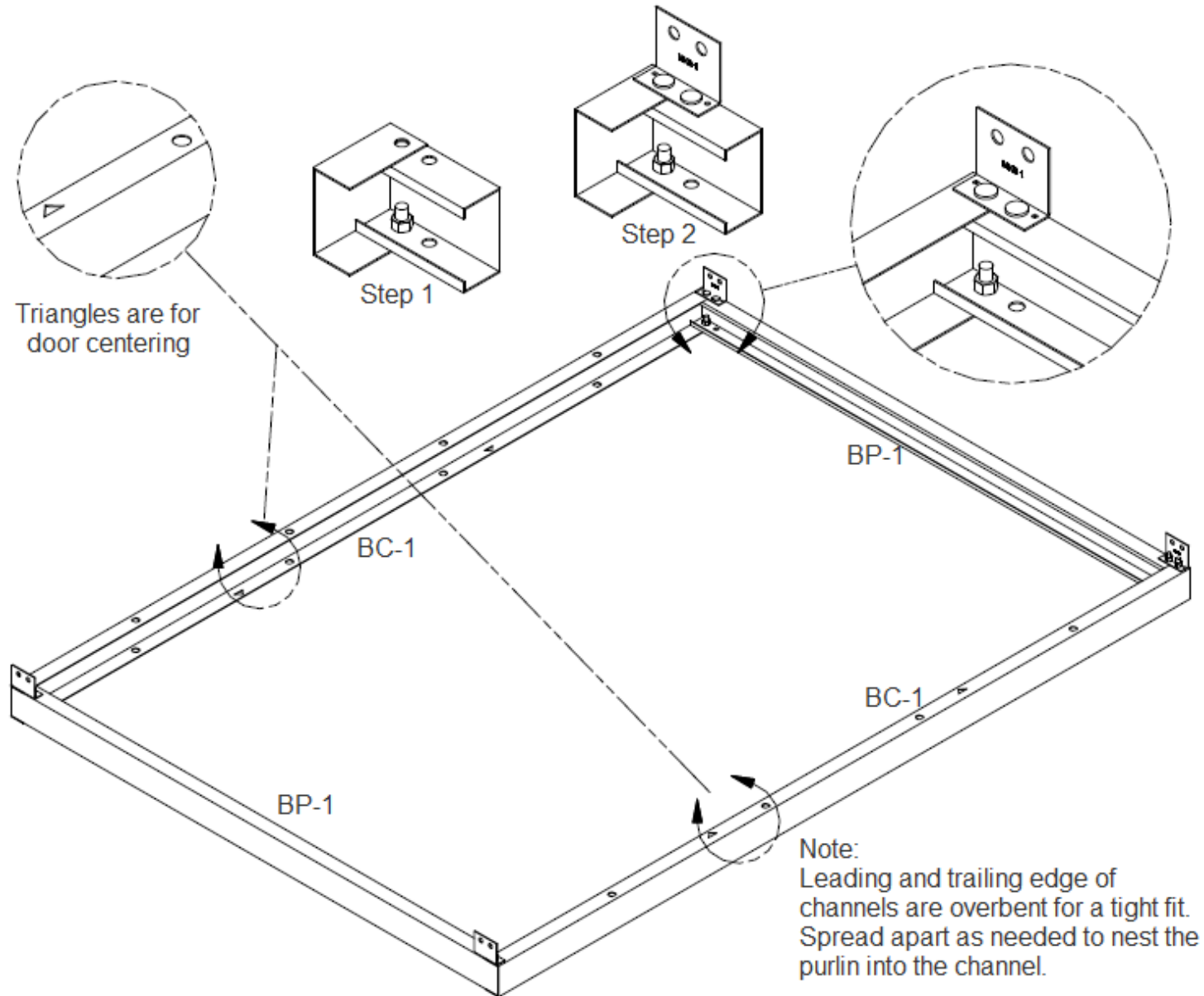
Types of Screws

TEK Screw
"Shorter Shaft"

Lap Screw
"Thicker Shaft"



Base Layout (BC-1 and BP-1)



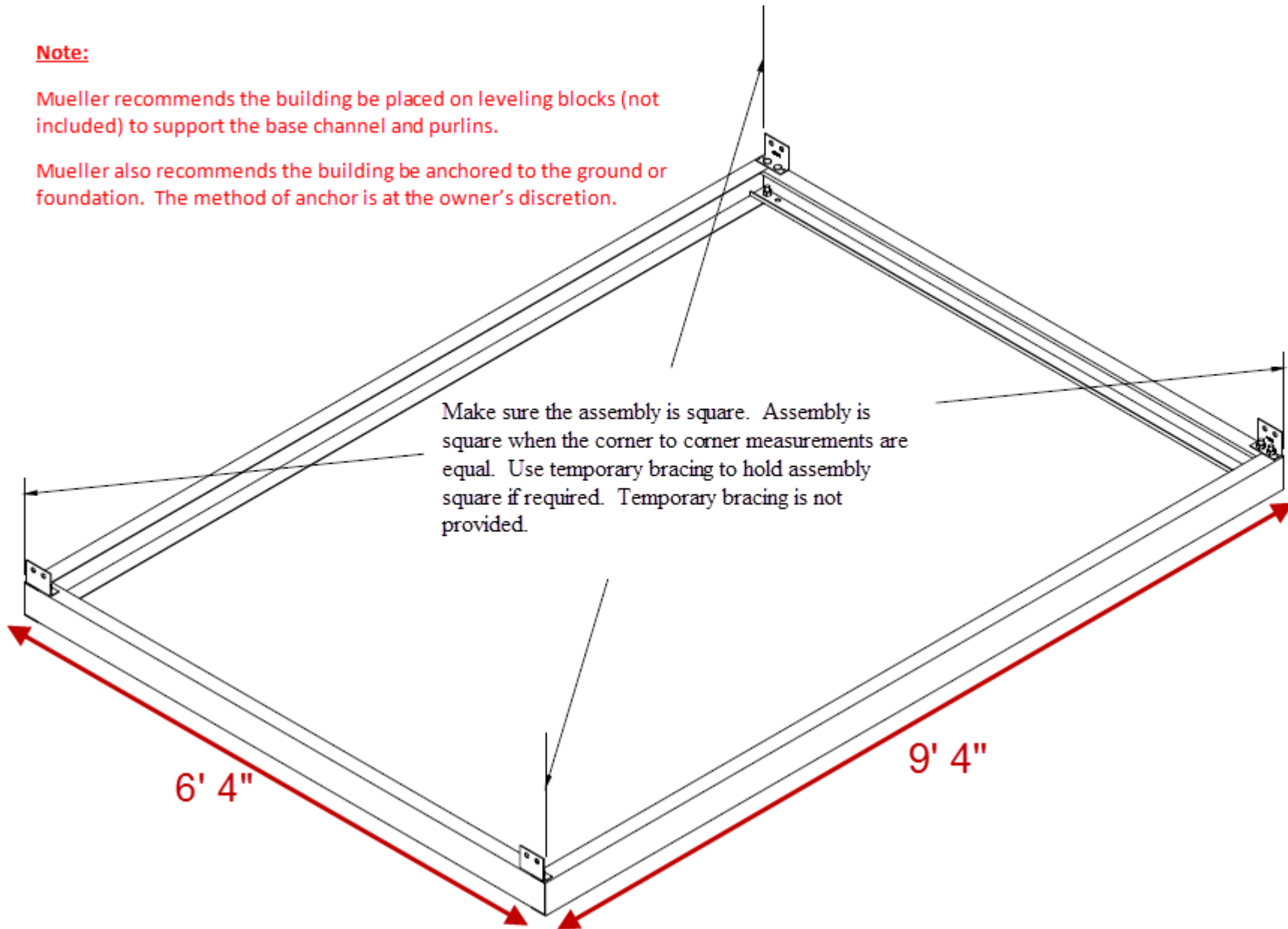
Level and proper blocking is critical for the base layout

Make sure the assembly is square

Note:

Mueller recommends the building be placed on leveling blocks (not included) to support the base channel and purlins.

Mueller also recommends the building be anchored to the ground or foundation. The method of anchor is at the owner's discretion.

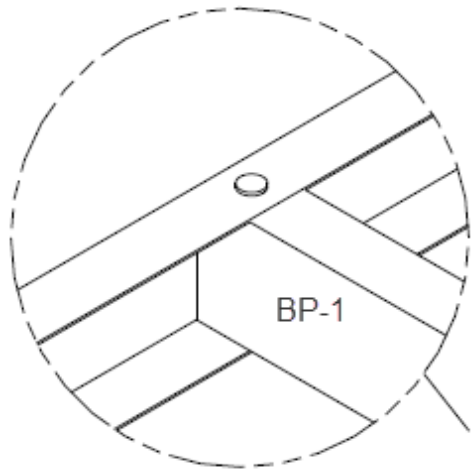


Make sure the assembly is square. Assembly is square when the corner to corner measurements are equal. Use temporary bracing to hold assembly square if required. Temporary bracing is not provided.

6' 4"

9' 4"

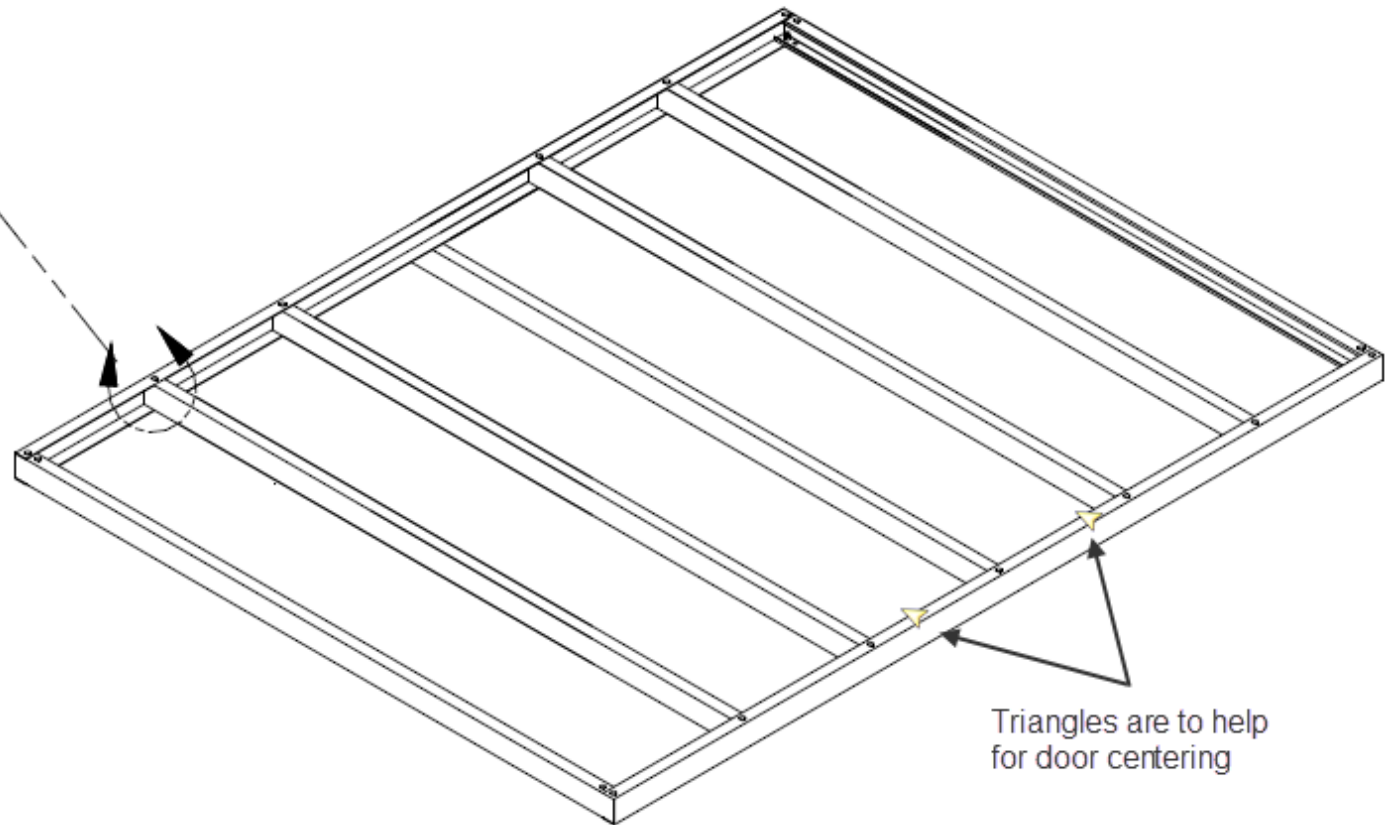
Floor Kit (Optional)



Note:

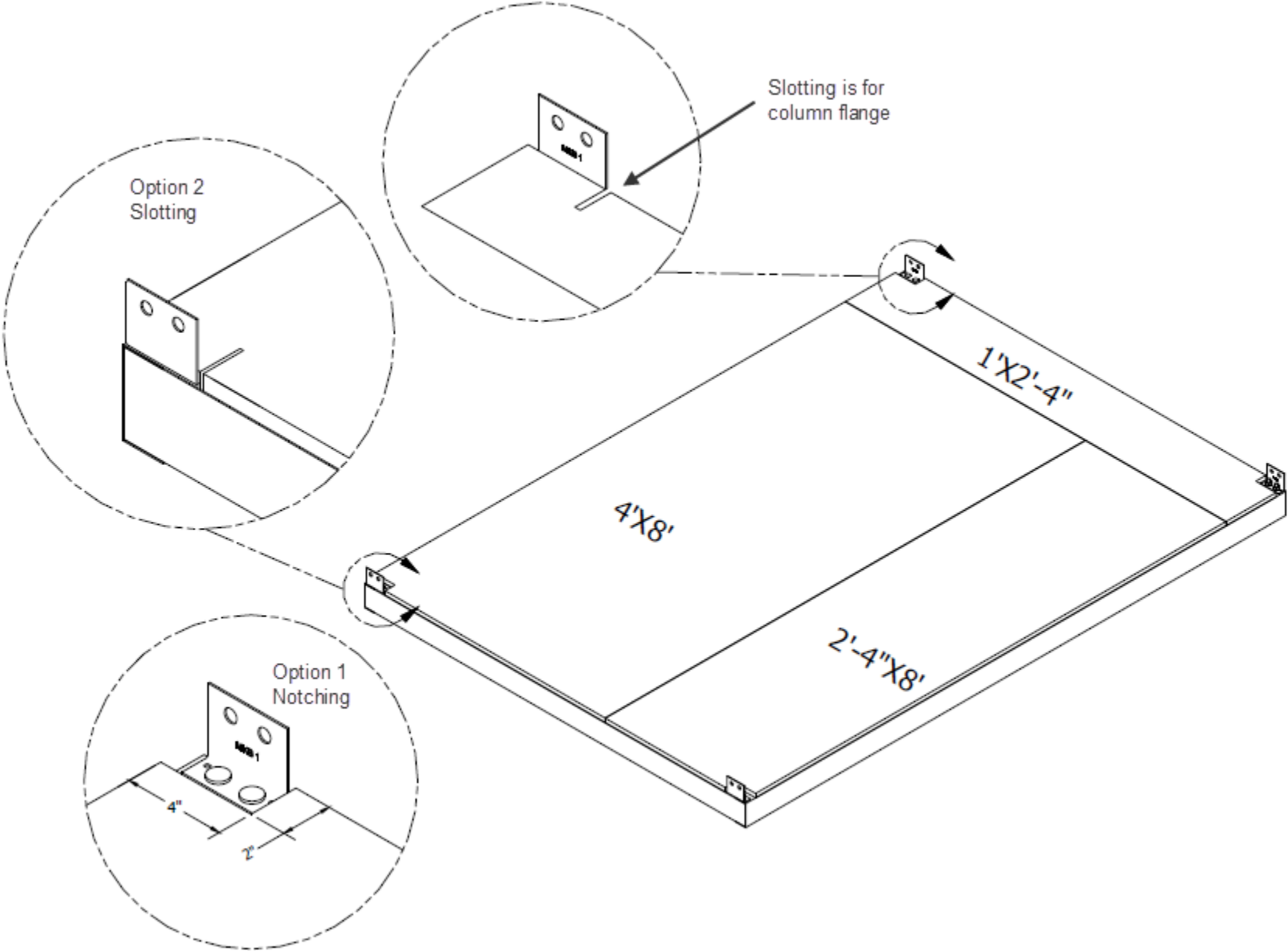
Mueller recommends the building be placed on leveling blocks (not included) to support the base channel and purlins.

Mueller also recommends the building be anchored to the ground or foundation. The method of anchor is at the owner's discretion.

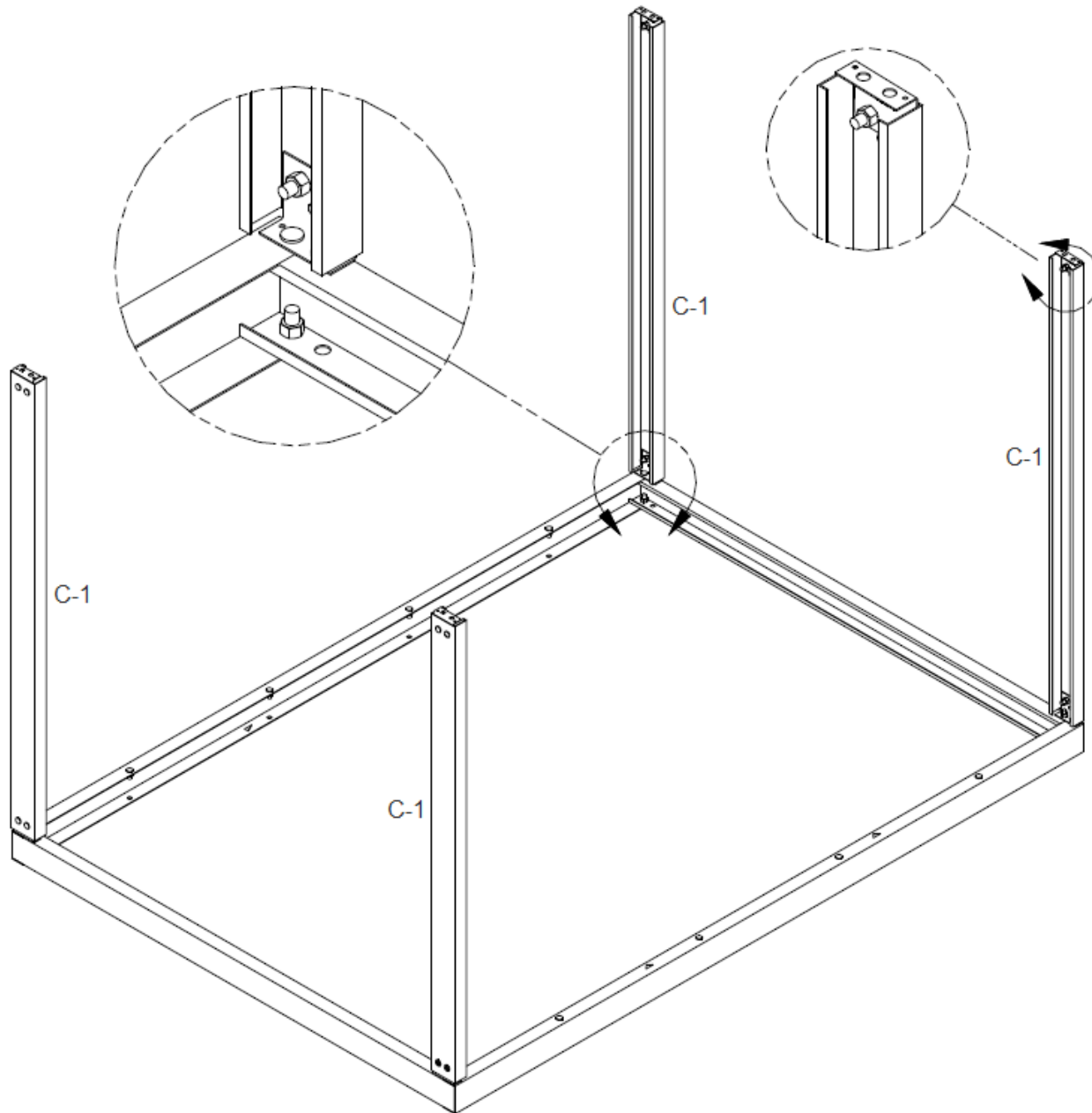


Triangles are to help
for door centering

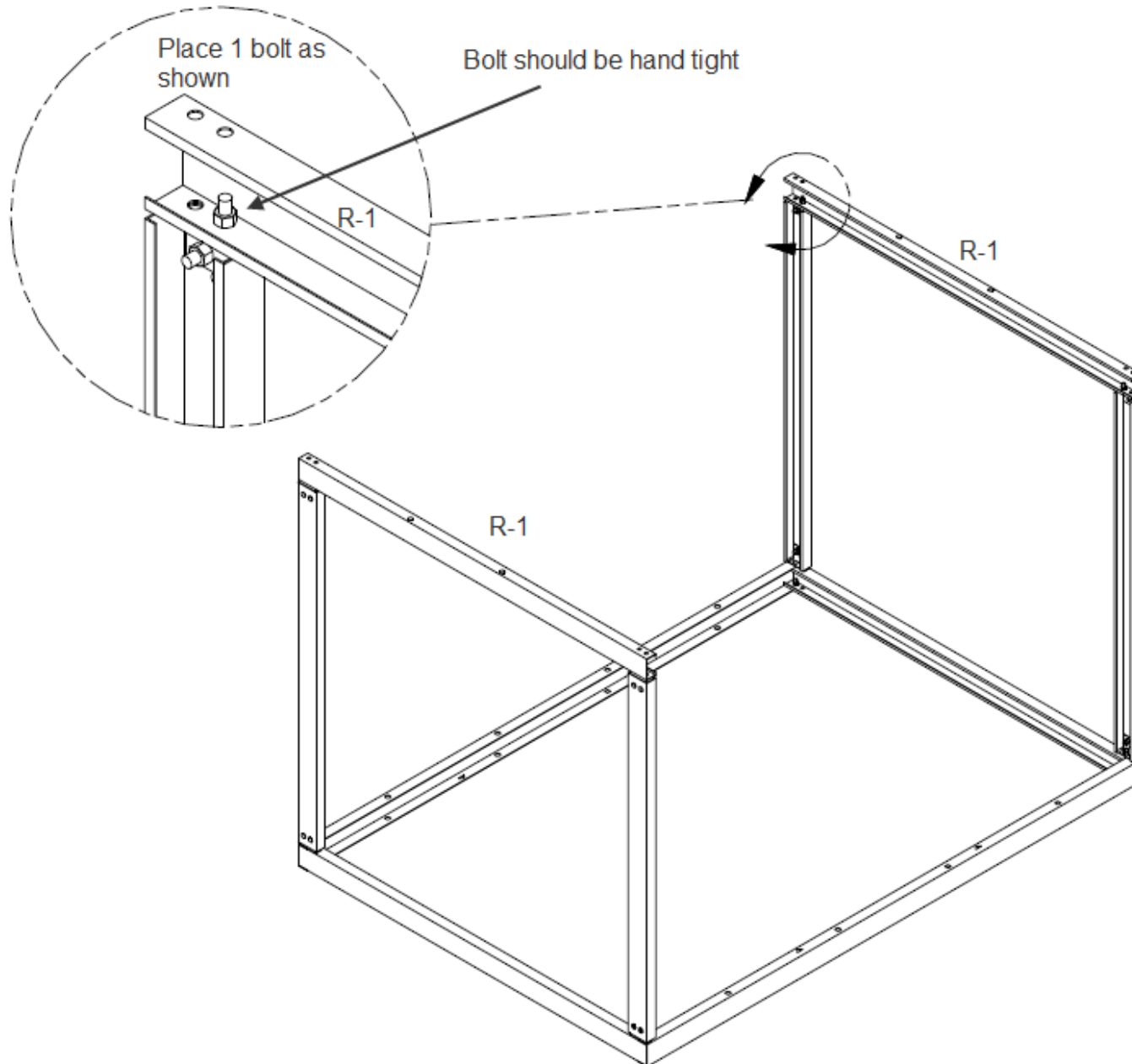
Floor Kit (Optional)



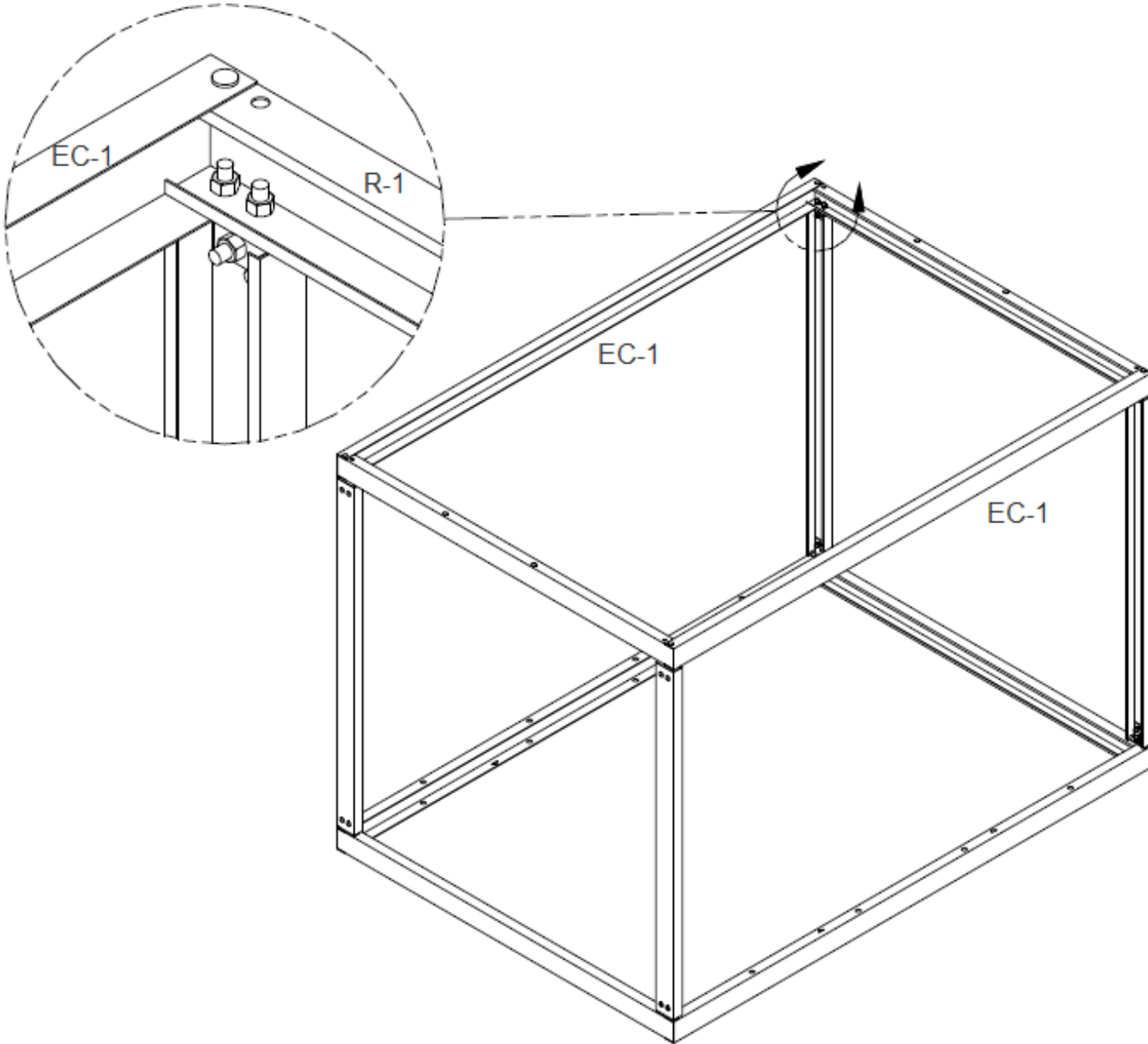
Erecting Columns (C-1)



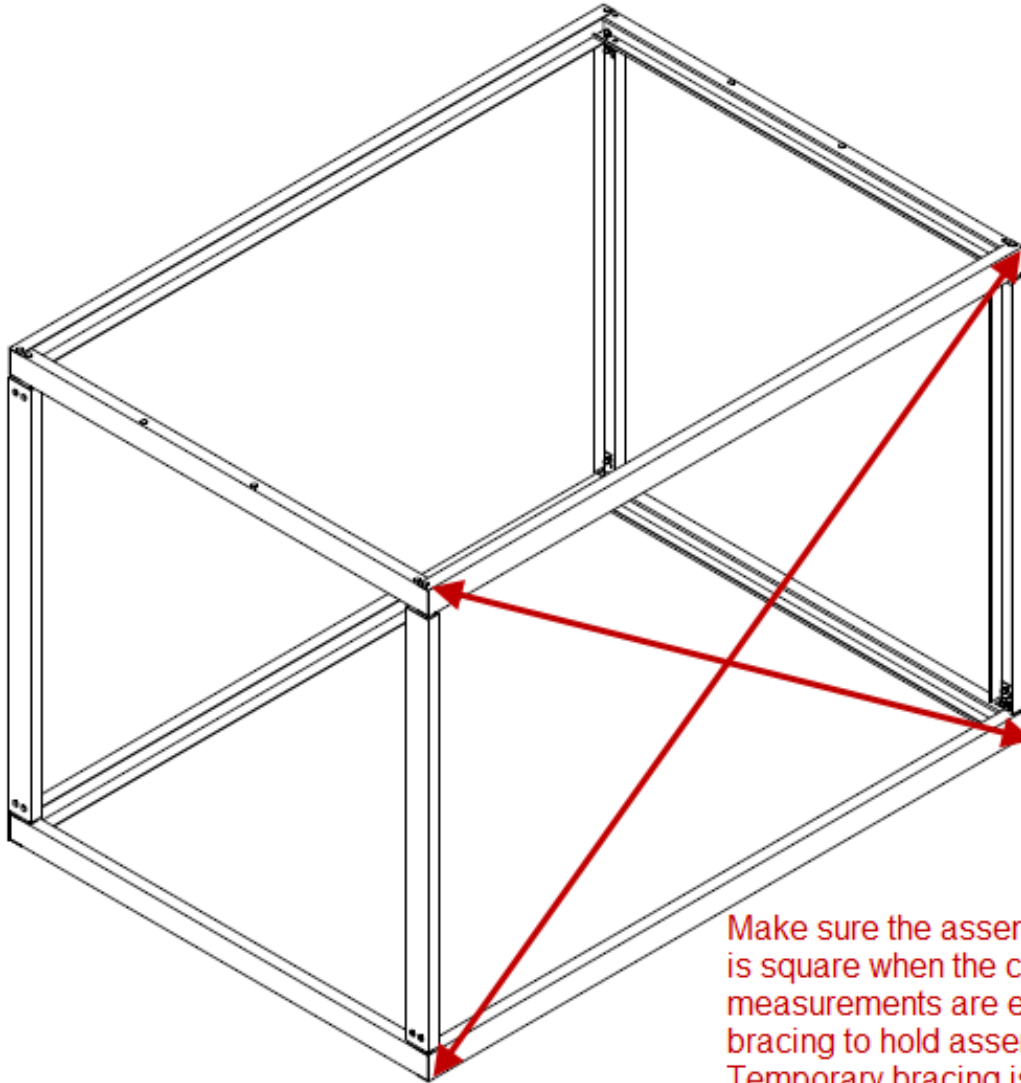
Rafters (R-1)



Eave Channel (EC-1)

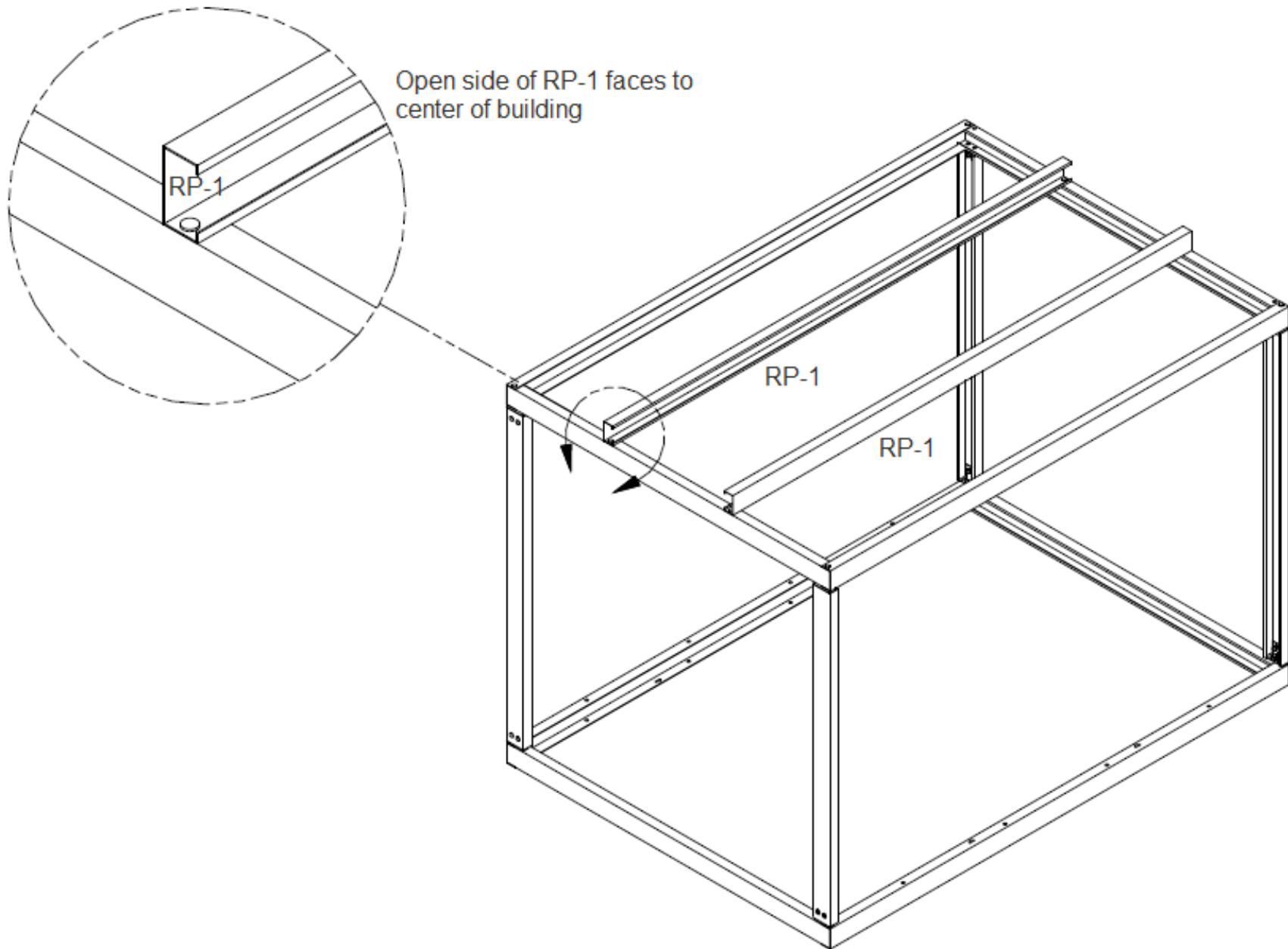


Make sure the assembly is square

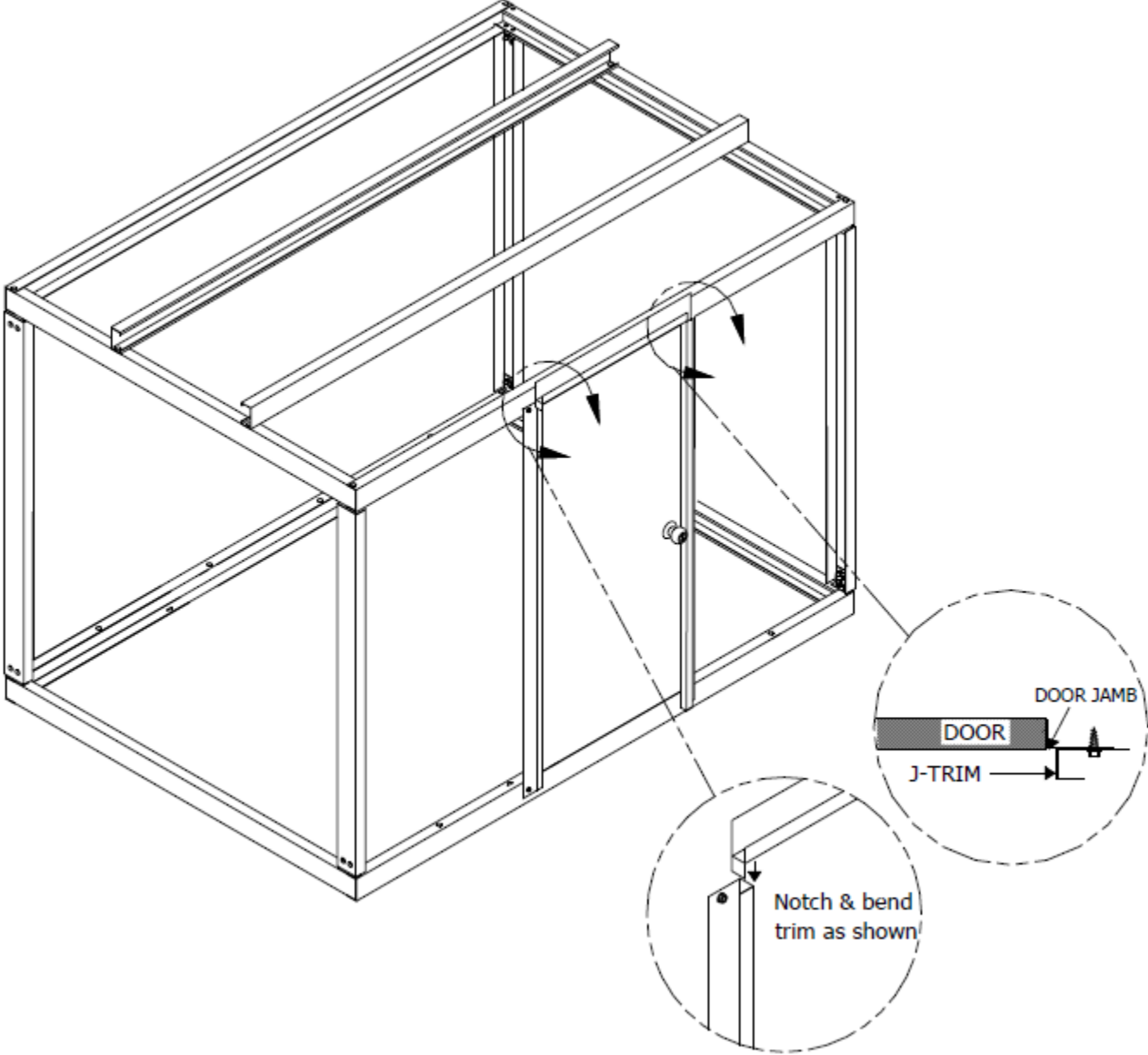


Make sure the assembly is square. Assembly is square when the corner to corner measurements are equal. Use temporary bracing to hold assembly square if required. Temporary bracing is not provided.

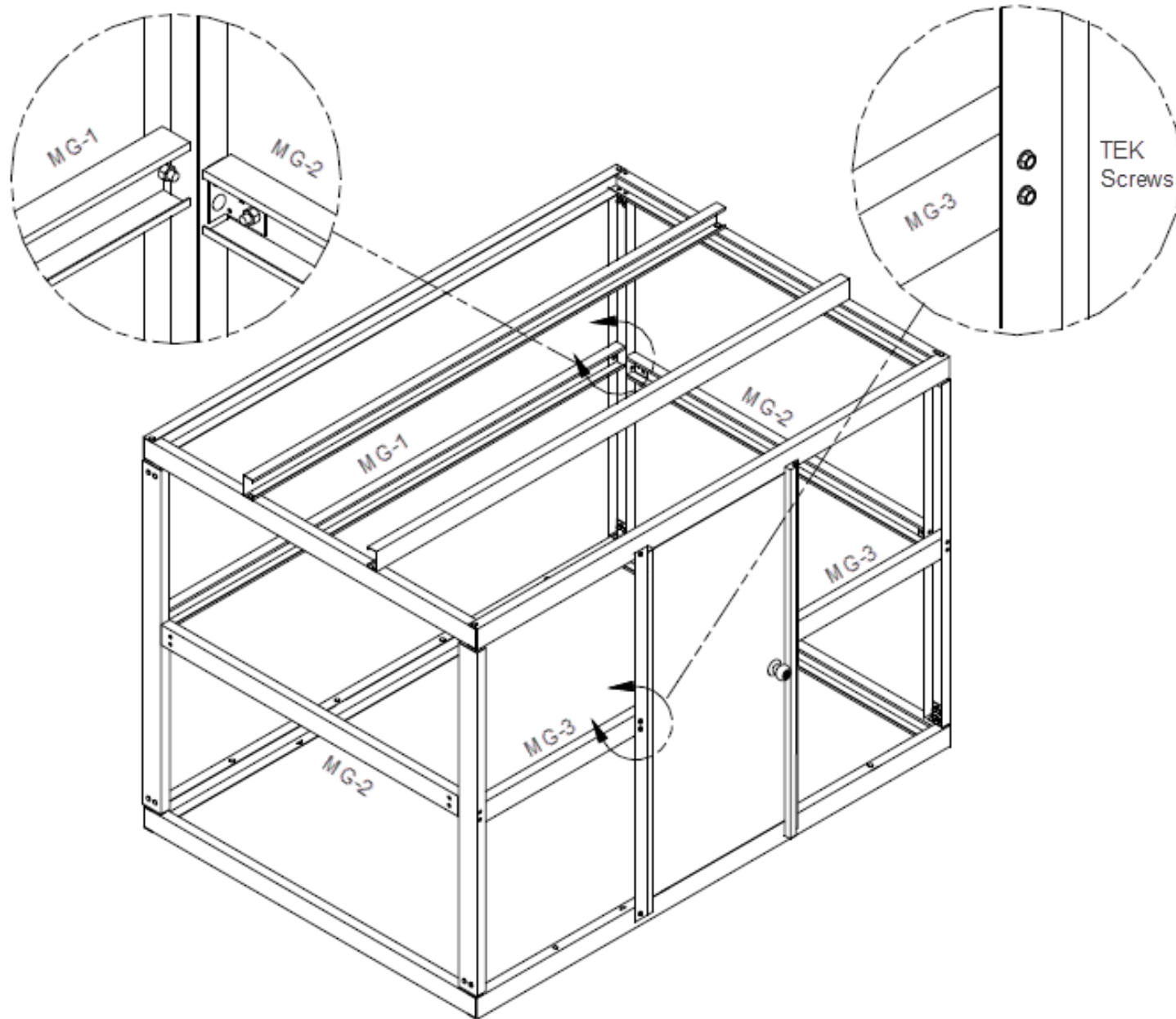
Roof Purlin (RP-1)



Door and Door Trim



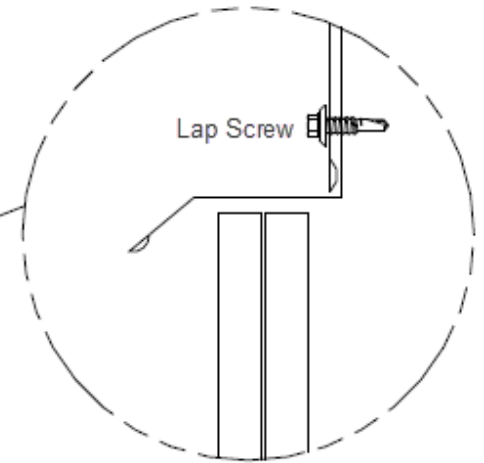
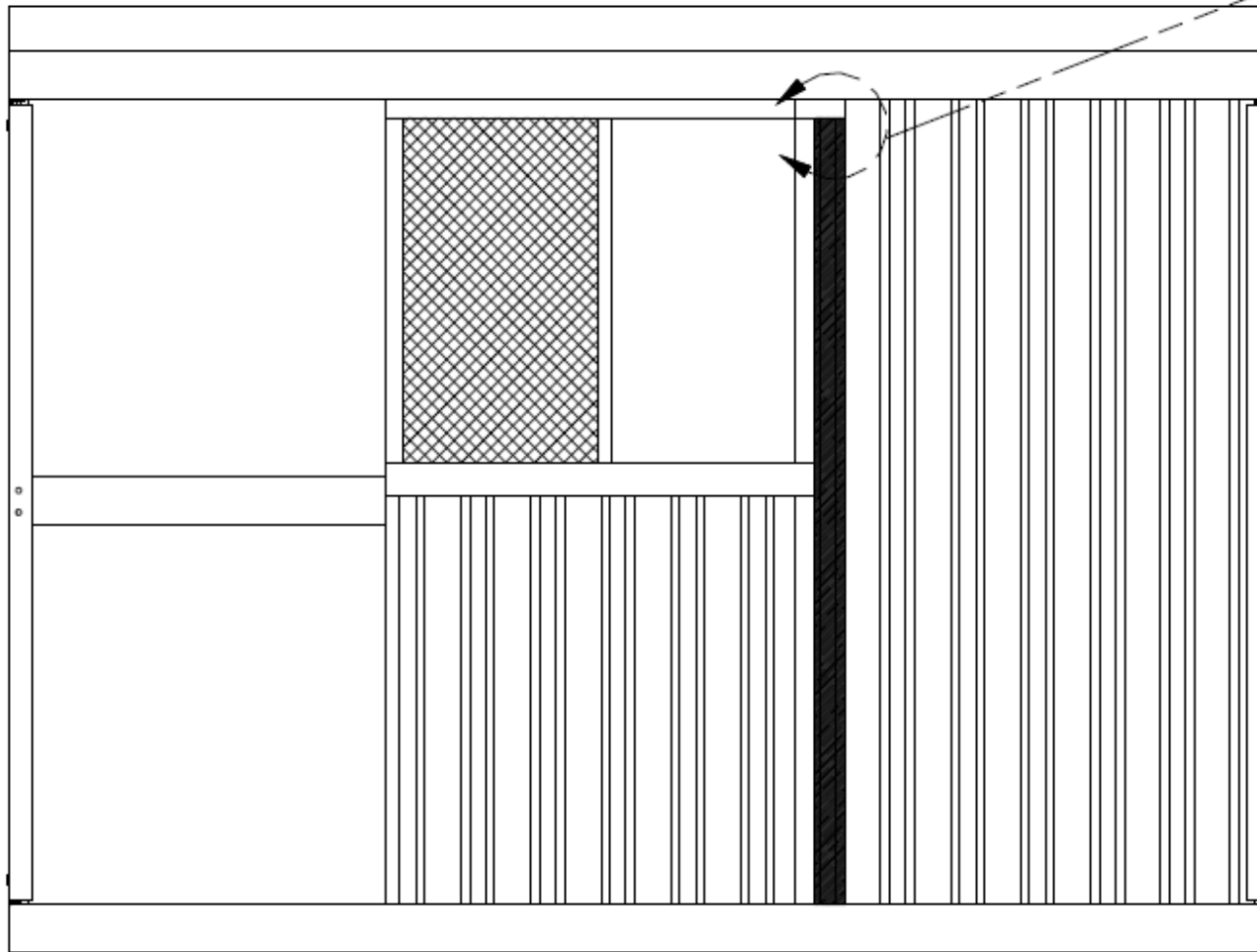
Mid-Girts (Optional – MG-1, MG-2 and MG-3)



Window (Optional)

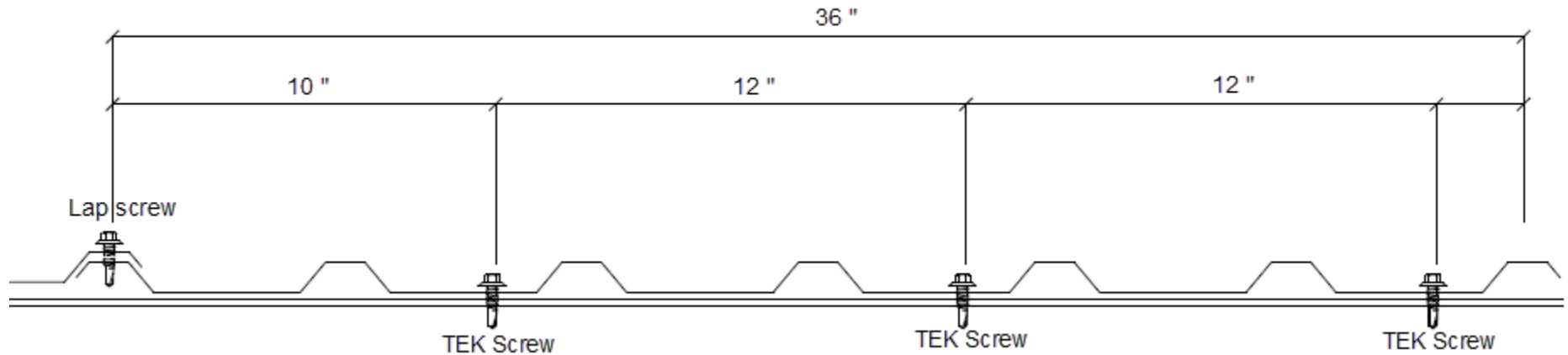
Note:

- Install one sheet, insert window and lap flush to sheet. Add drip edge window trim when installing eave trim.
- Sheets below window will need to be field cut for window assembly.
- See installation instructions included with the window packaging.

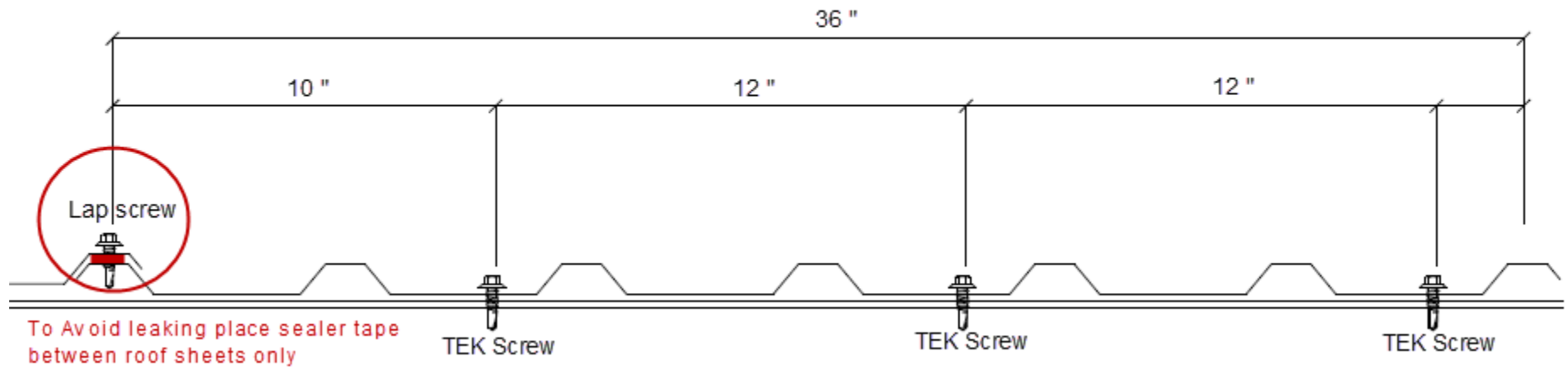


Sheeting Screw Placement

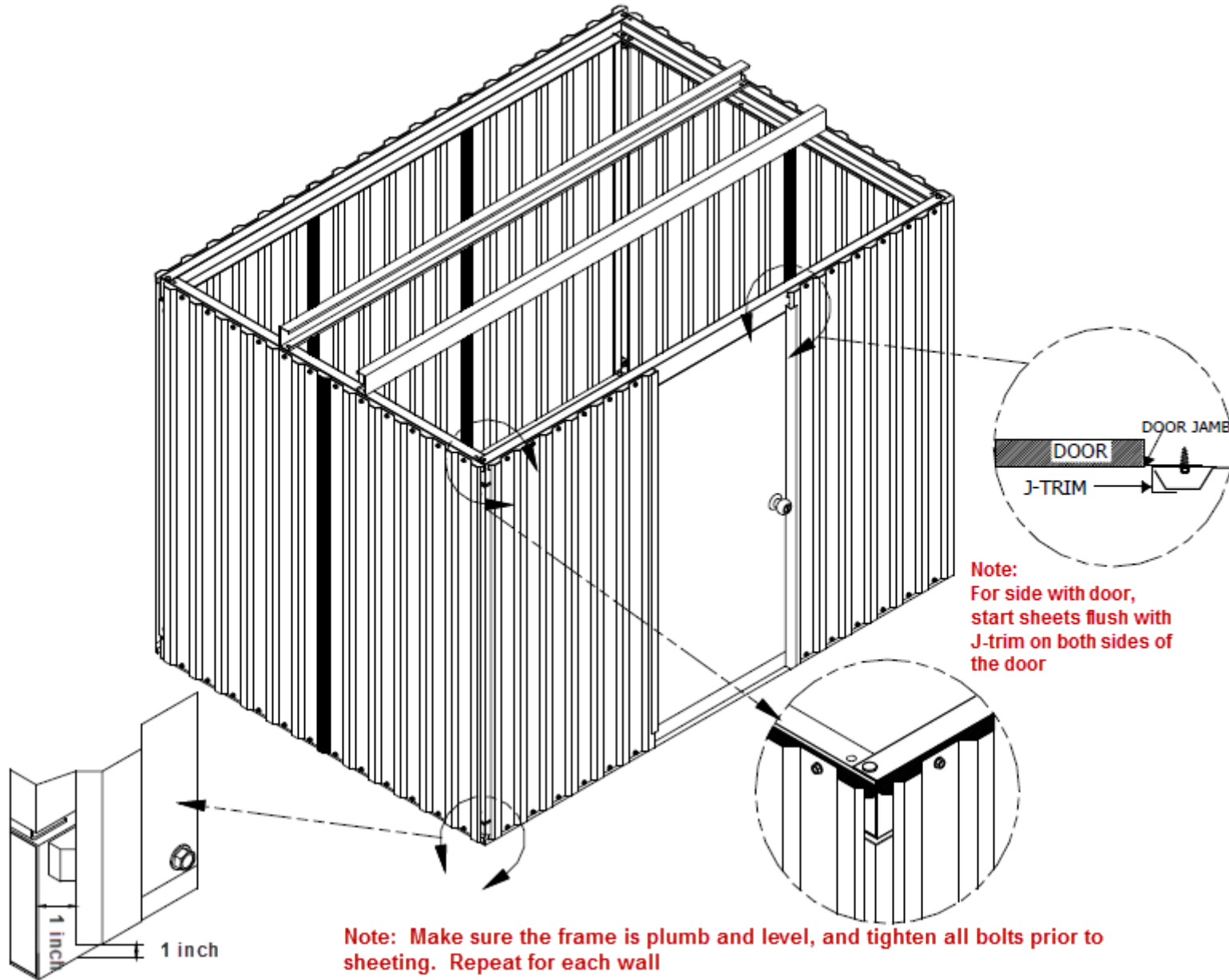
Wall Sheets



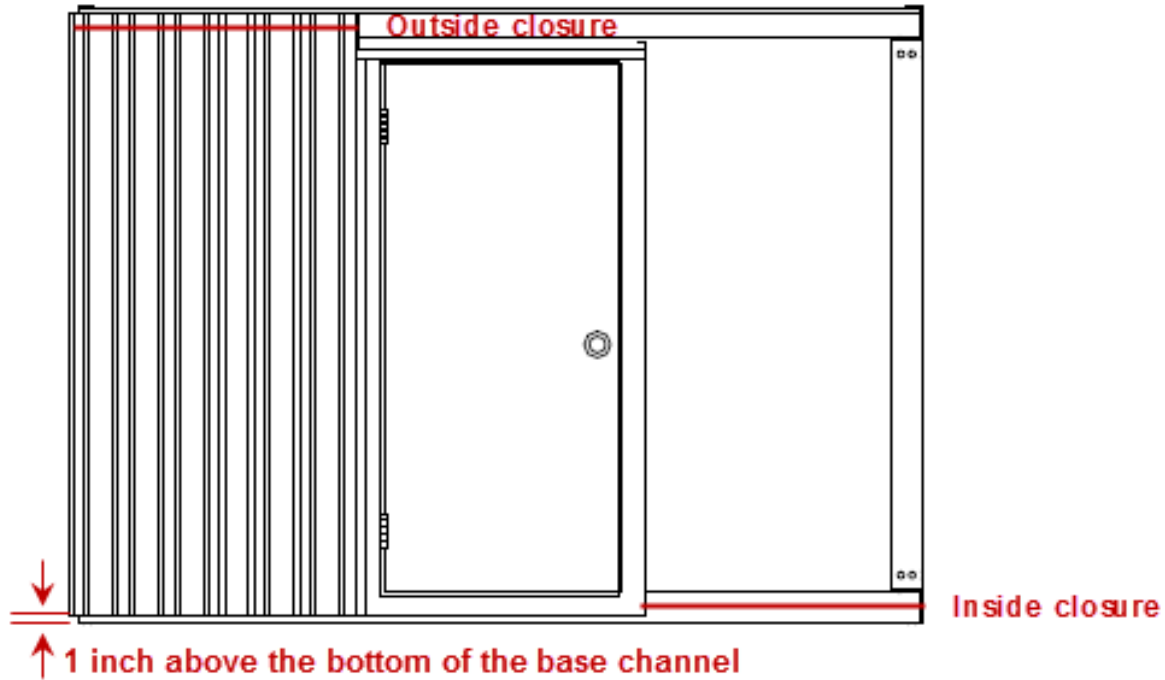
Roof Sheets



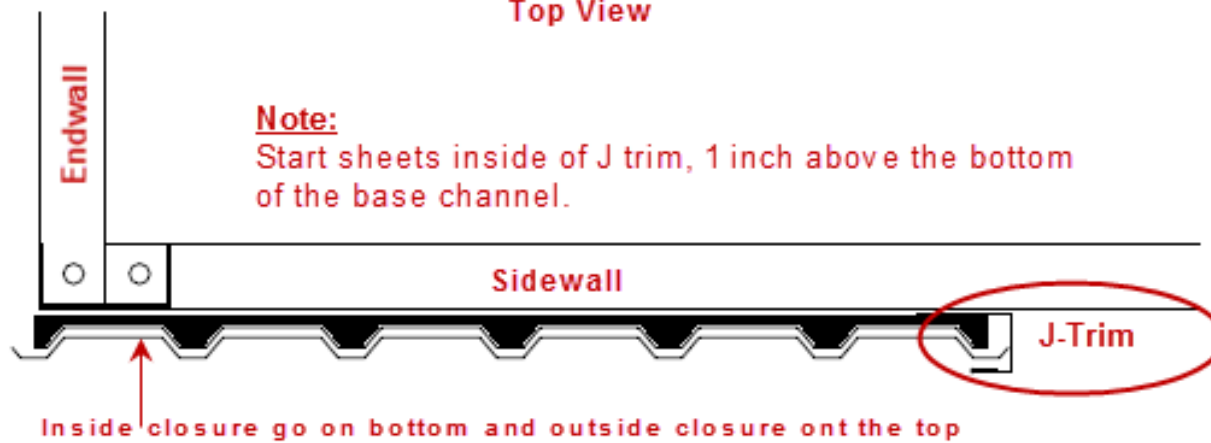
Sheeting



Sheeting Sidewall with Single Door



Top View



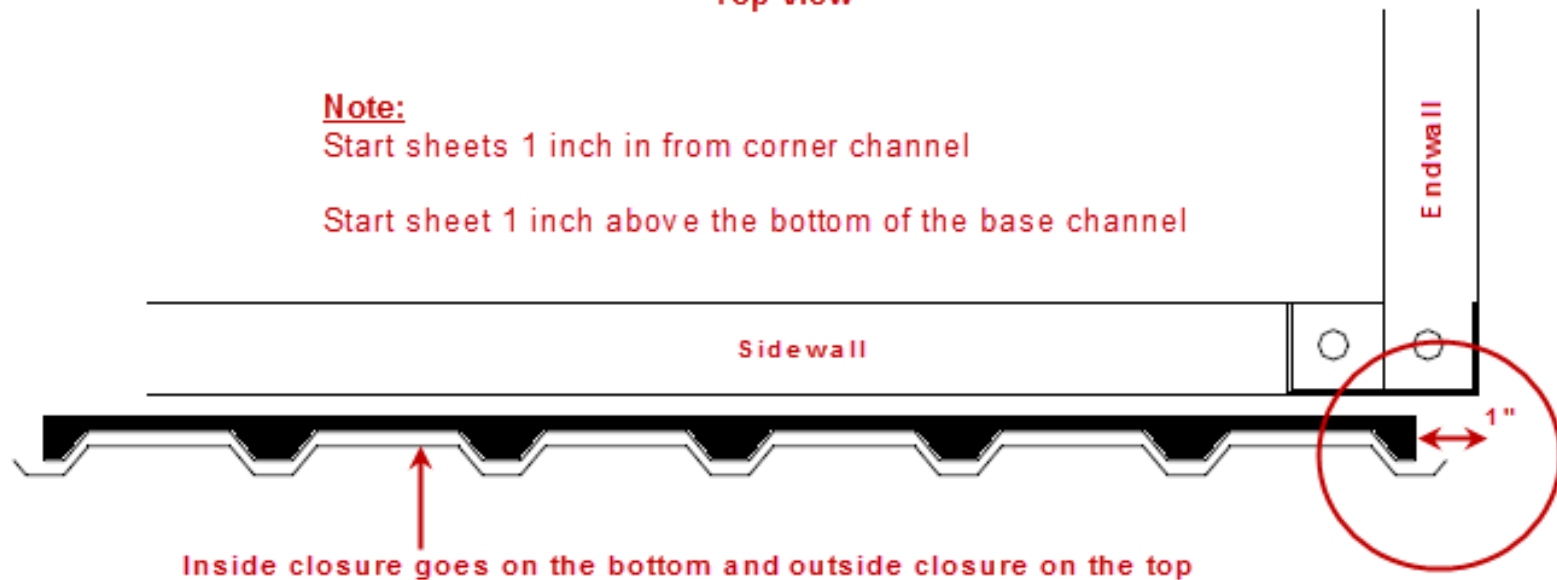
Sheeting Sidewall without a Door

Top View

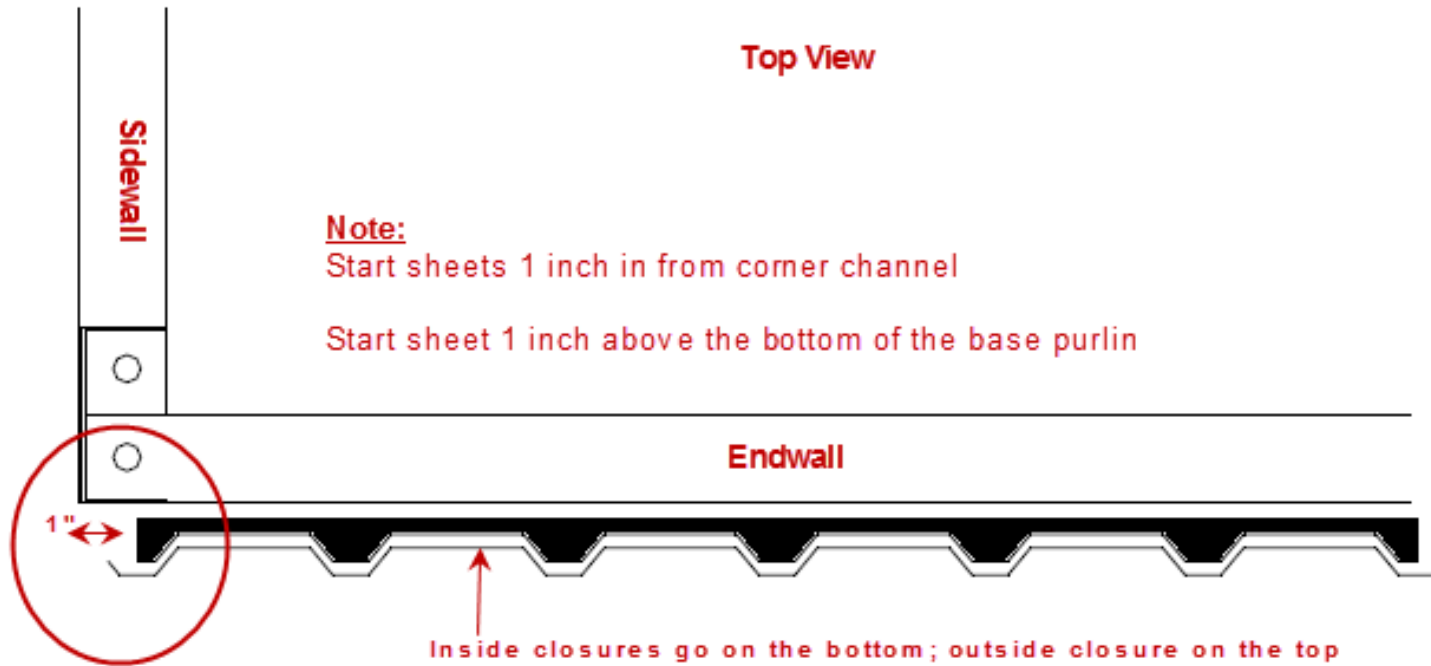
Note:

Start sheets 1 inch in from corner channel

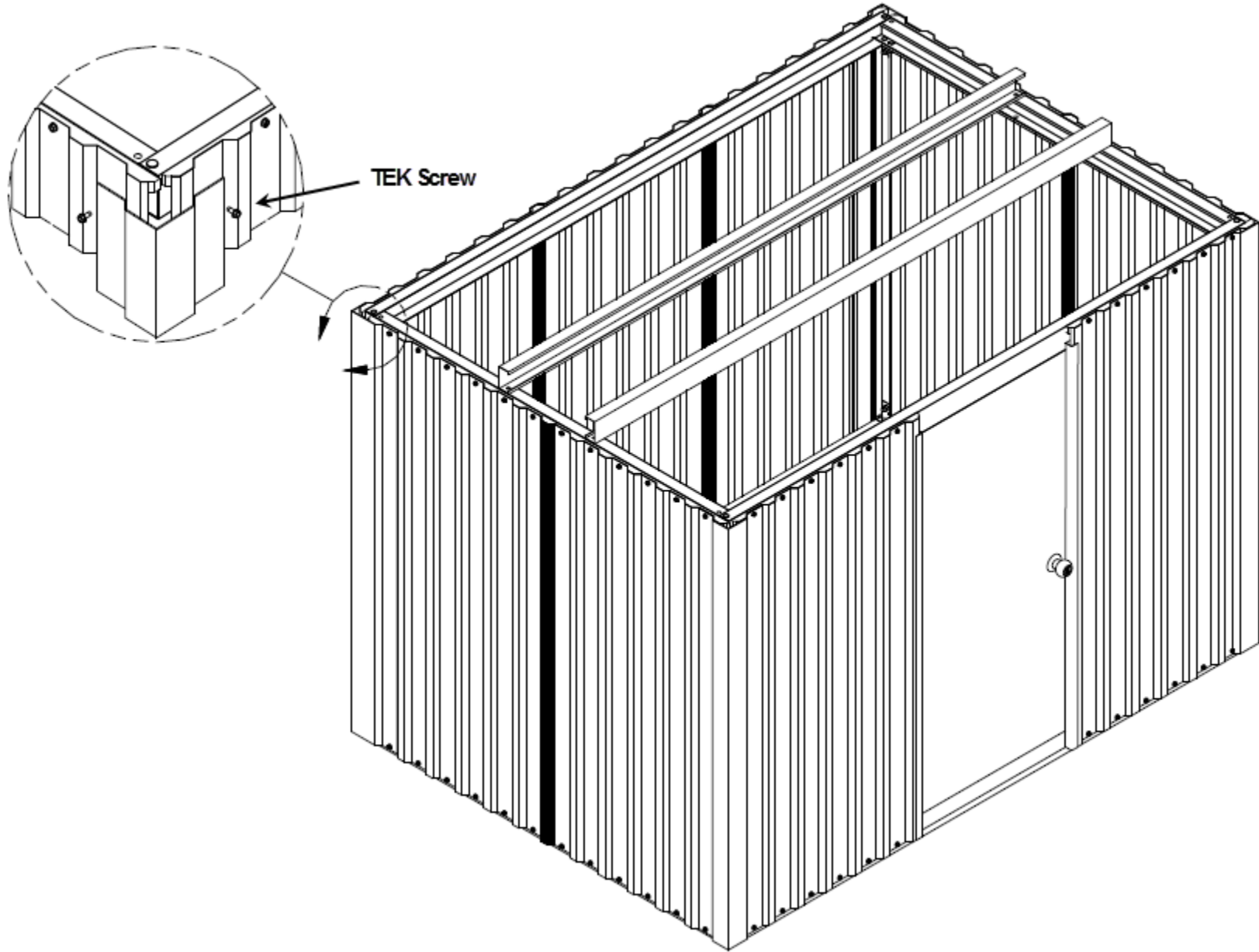
Start sheet 1 inch above the bottom of the base channel



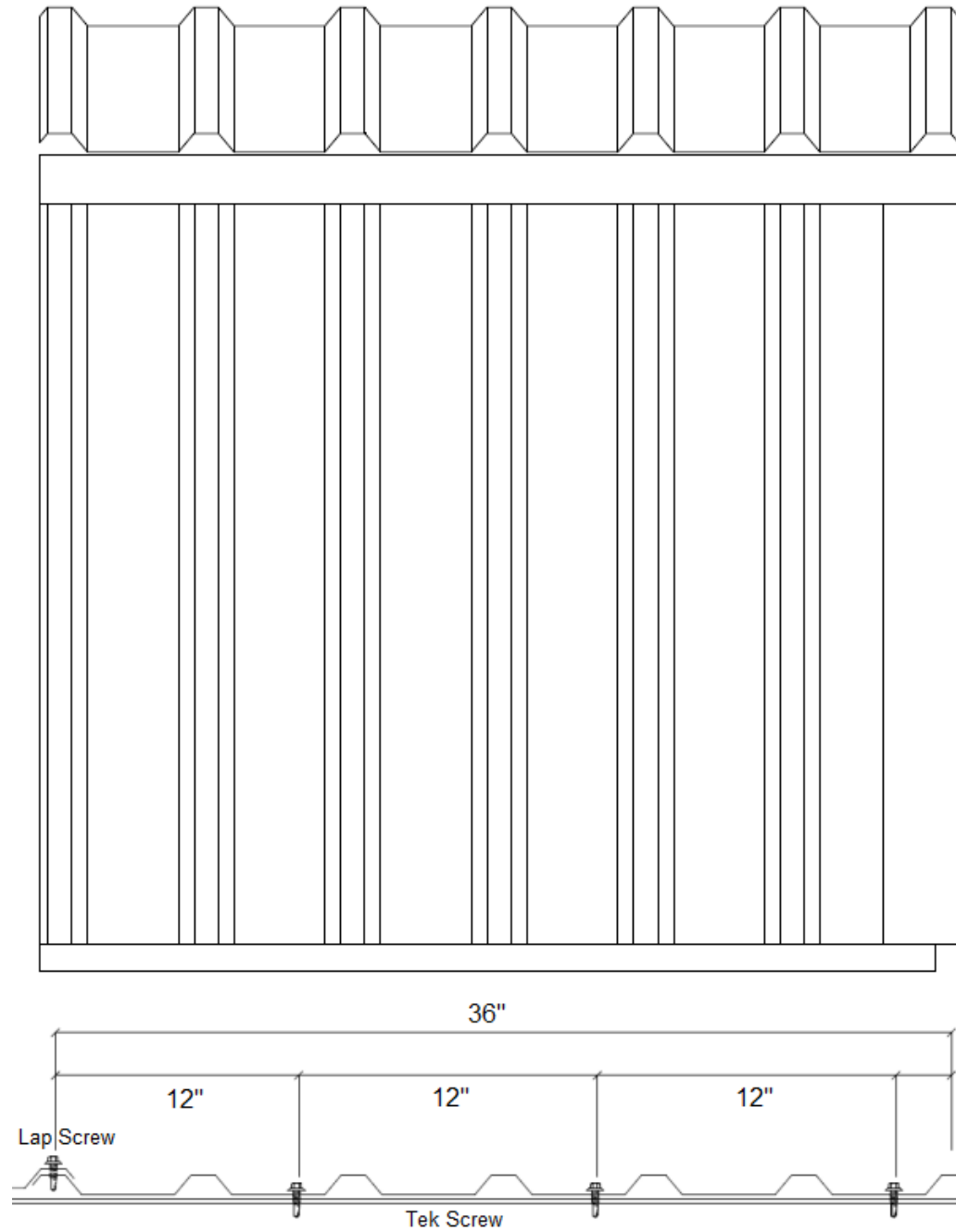
Sheeting Endwall without Door



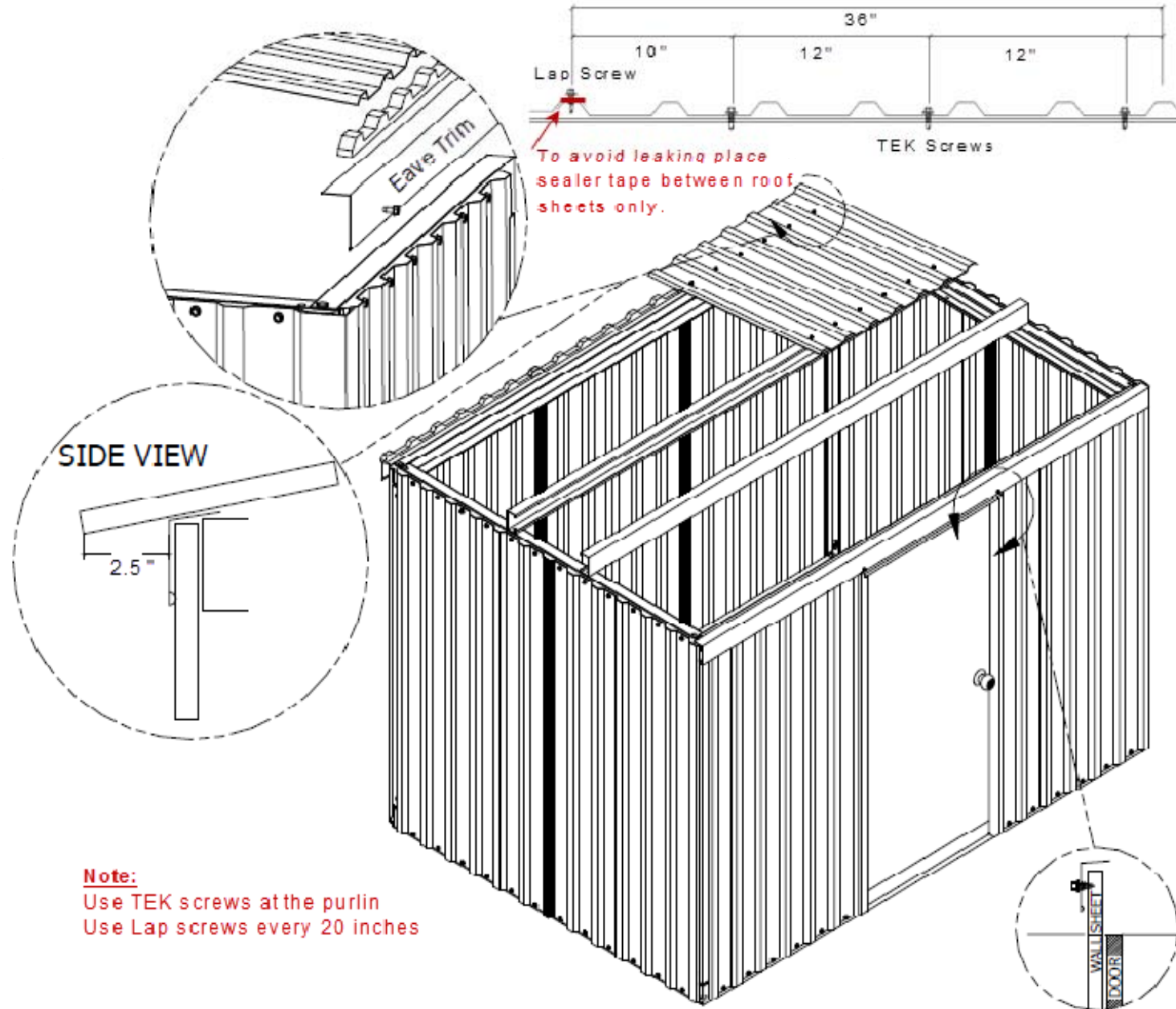
Corner Trim



Roof to Wall Sheet Alignment
Align major ribs from wall to major rib on roof



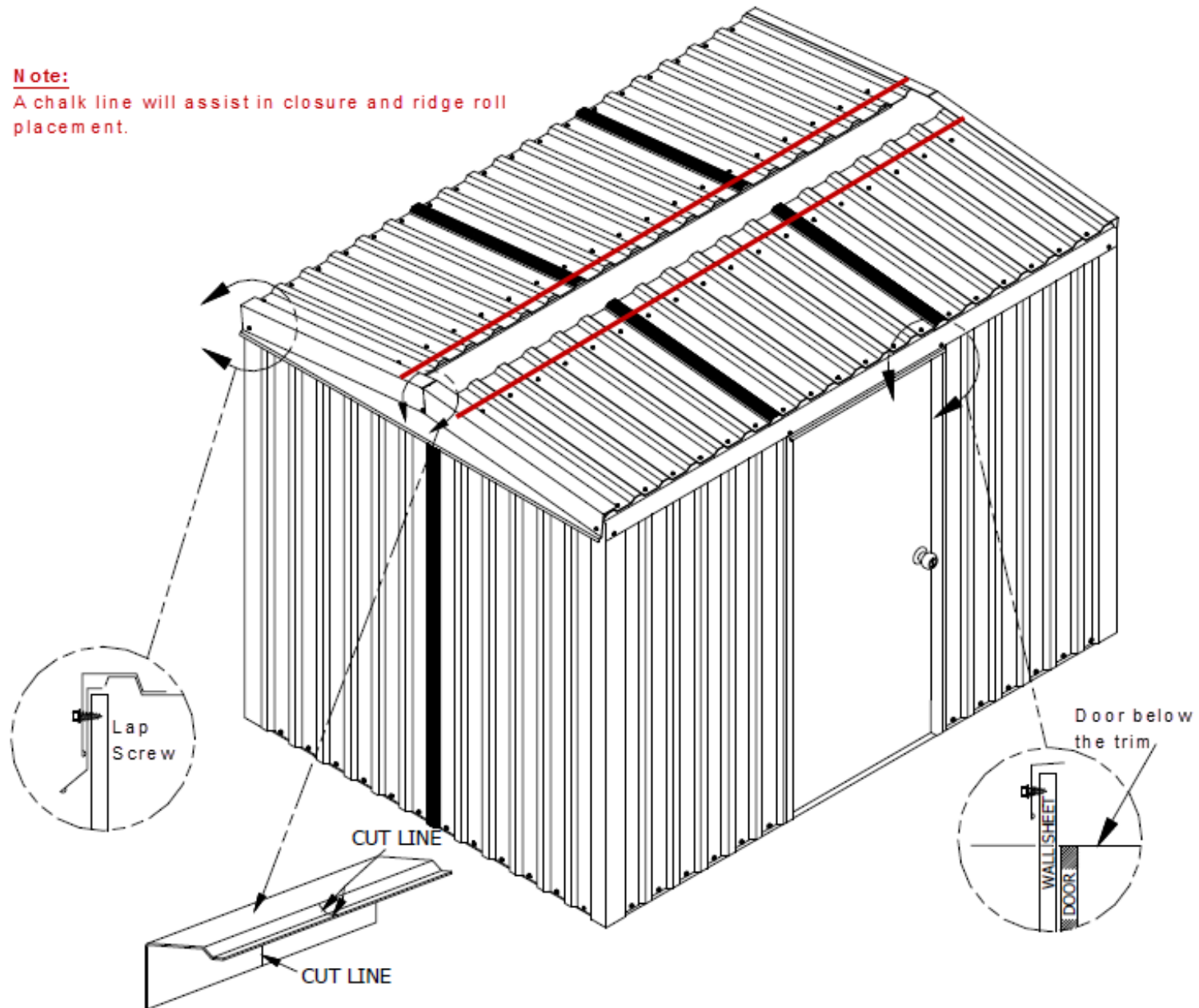
Sheeting the Roof



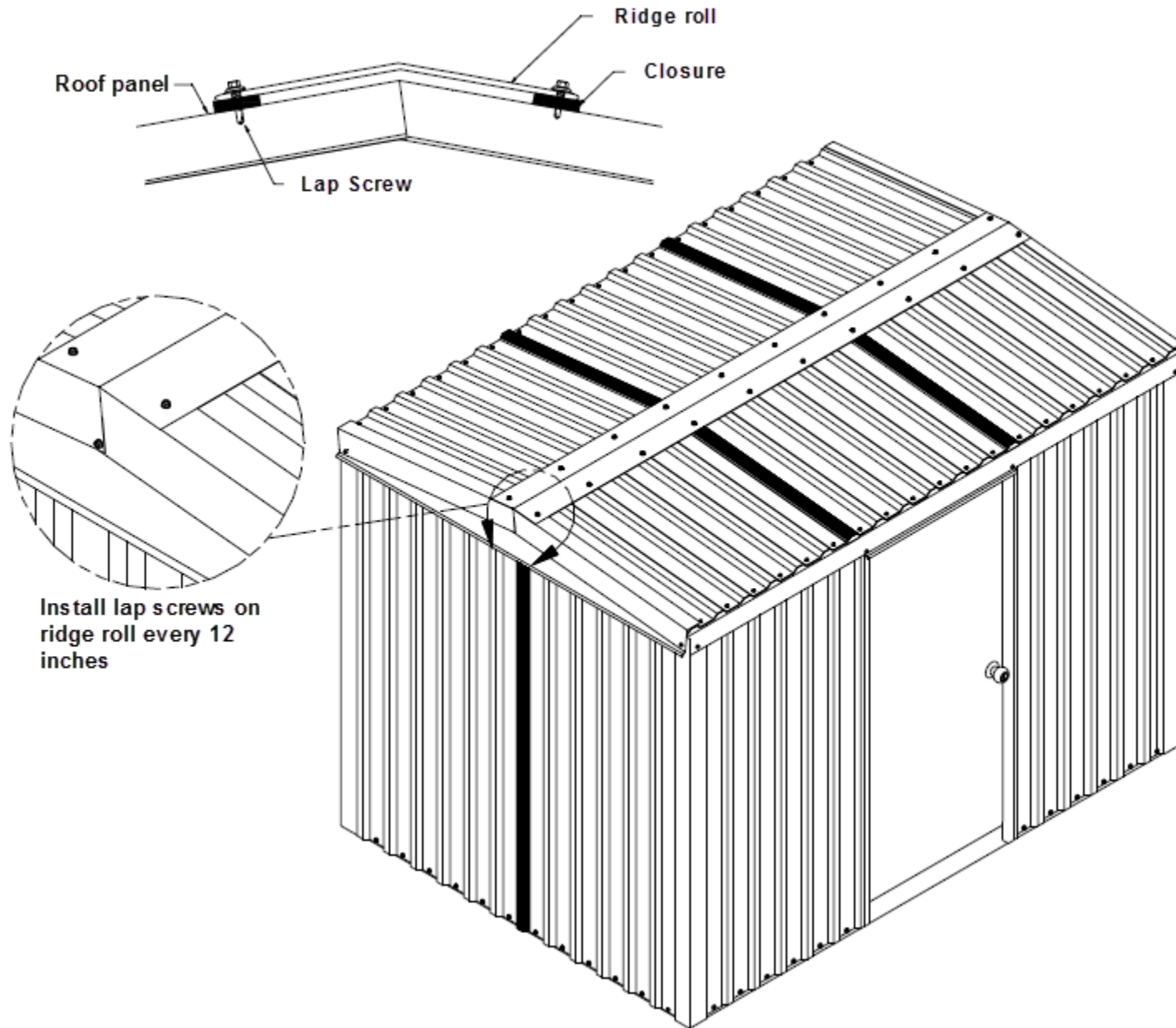
Roofing Trim Details

Note:

A chalk line will assist in closure and ridge roll placement.



Skylight Ridge Roll Installation



Total Building Measurements

