



877-2-MUELLER

www.muellerinc.com

6x9 DIY Greenhouse Instructions

Mueller DIY buildings are not engineered structures and do not meet any specific building code criteria.

Parts List

There is not an attached parts list included in these instructions. Due to continuing improvements, the parts list is the itemized invoice delivered with your building.

All parts are stenciled on the inside of the channel, purlin, girts and rafters. Example of this is below:



Types of Screws

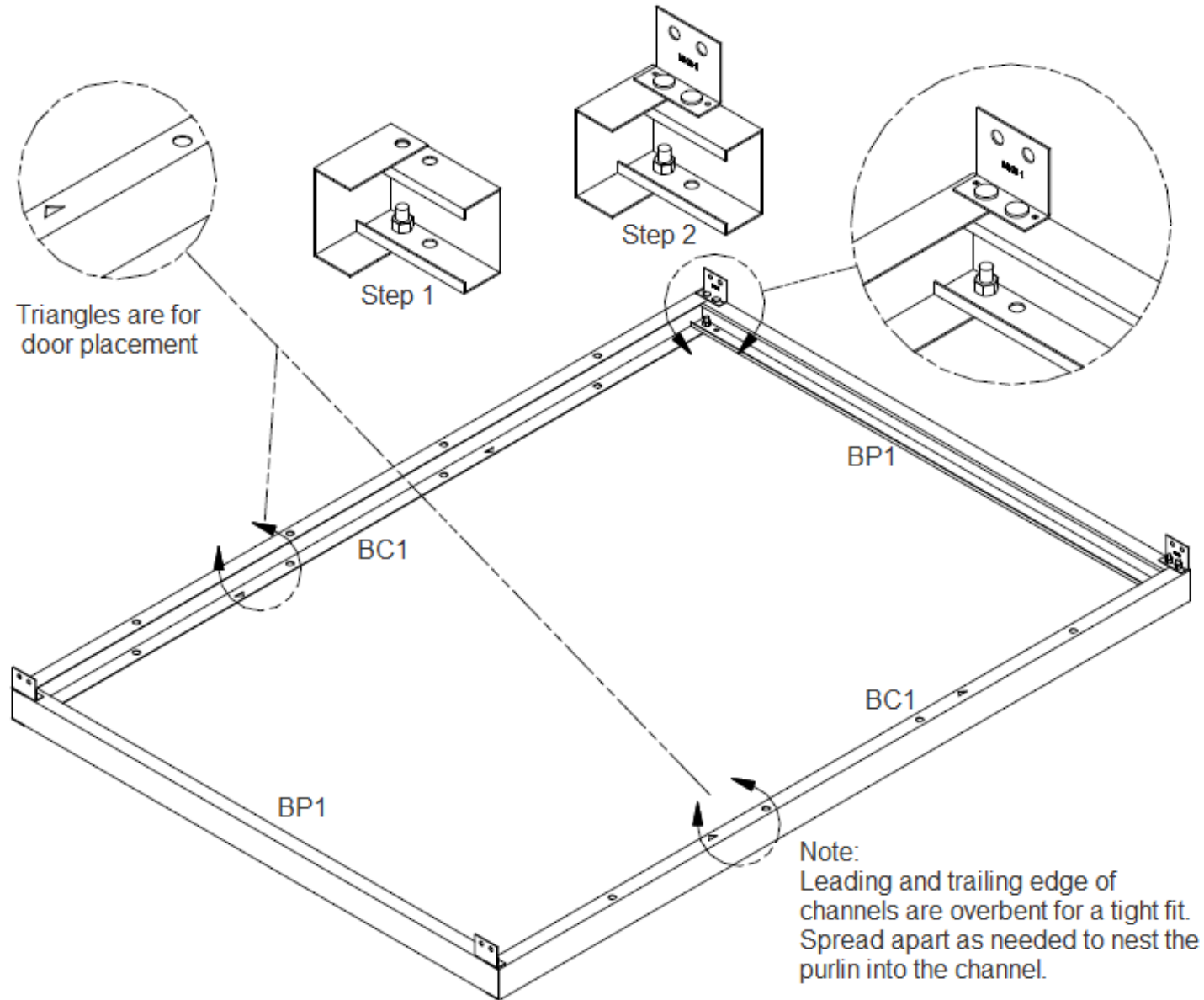
Skylight Screw
“Large Head”

TEK Screw
“Shorter Shaft”

Lap Screw
“Thicker Shank”

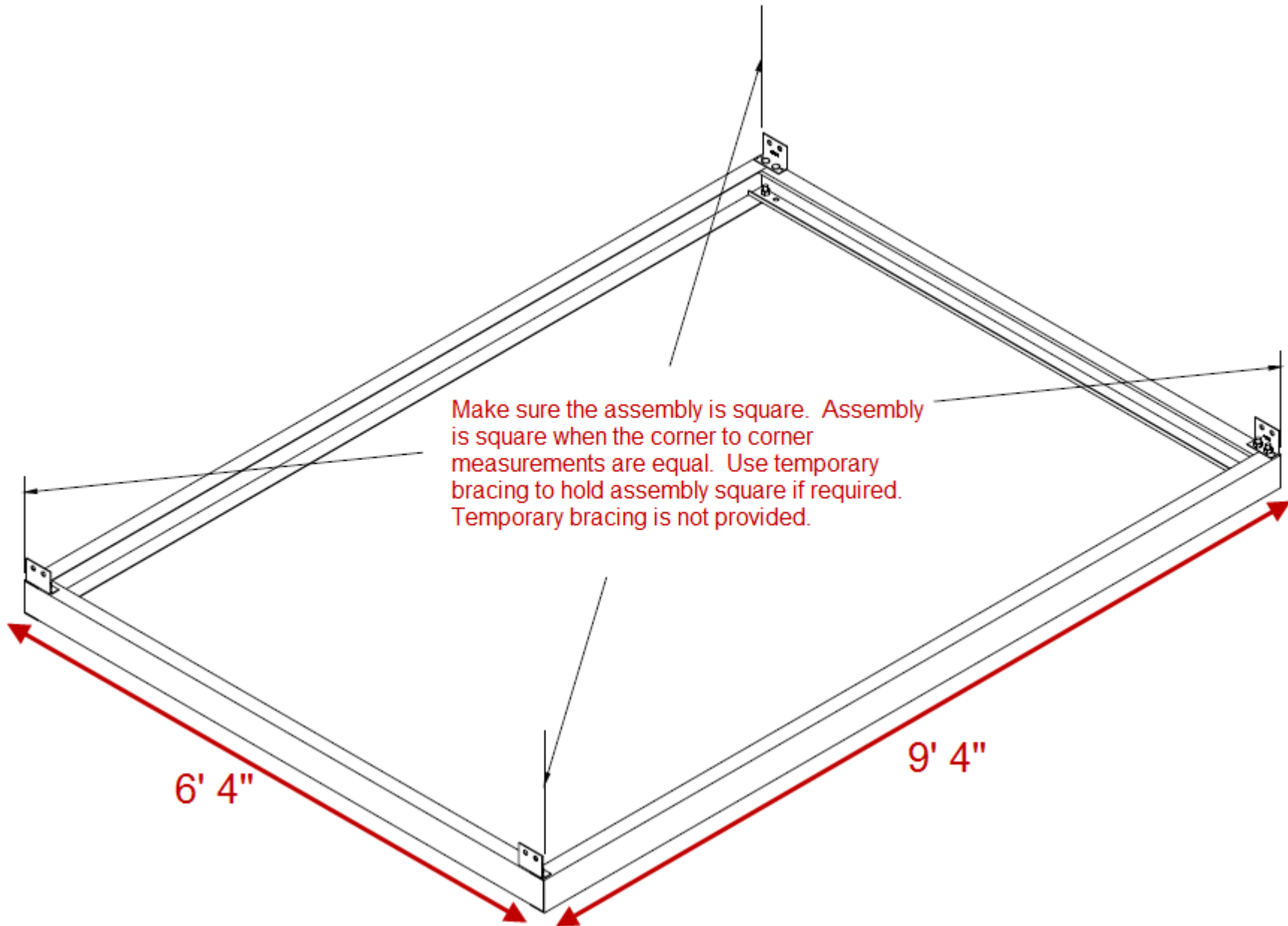


Base Layout (BC1 and BP1)

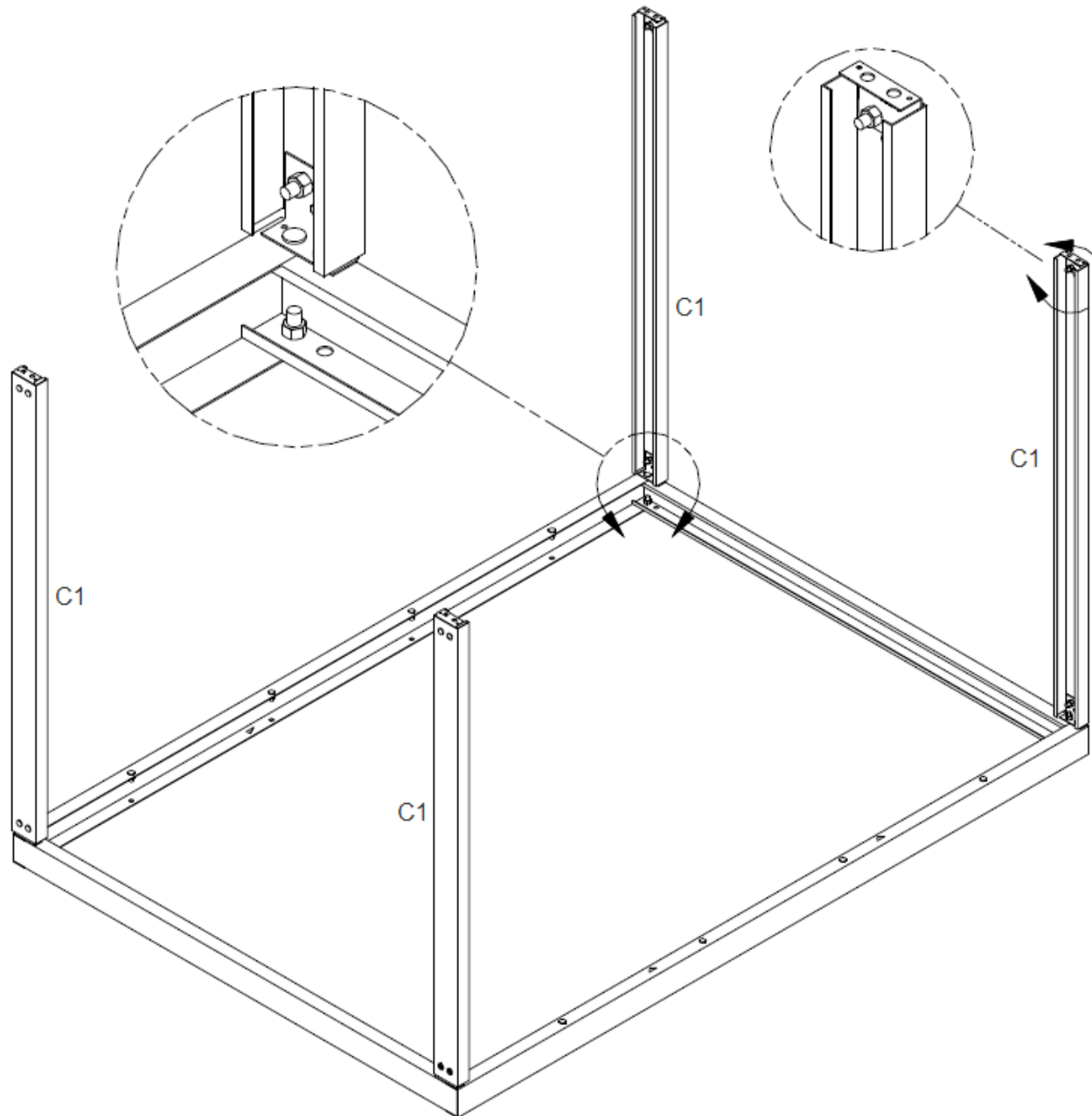


Level and proper blocking is critical for the base layout

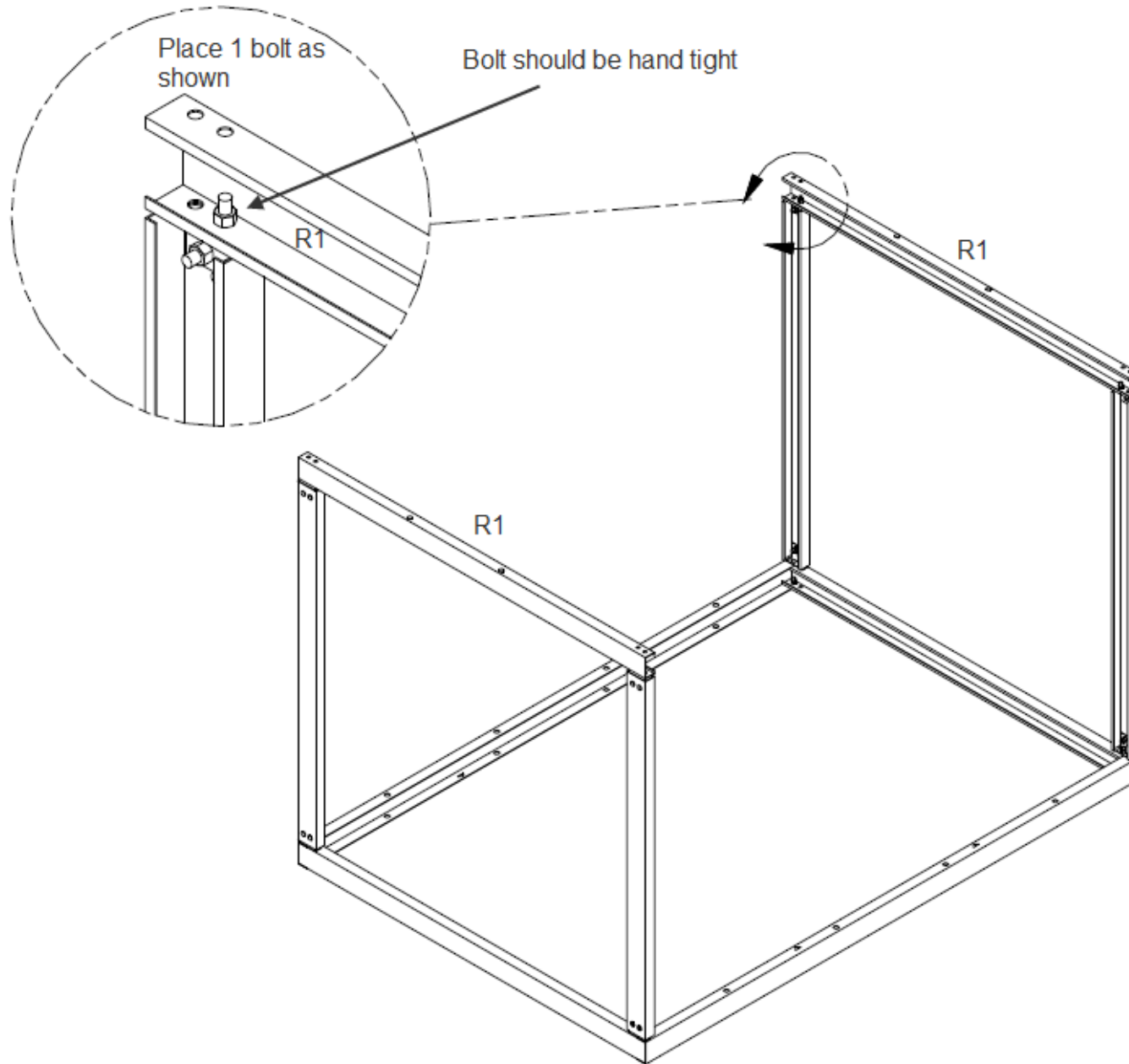
Make sure the assembly is square



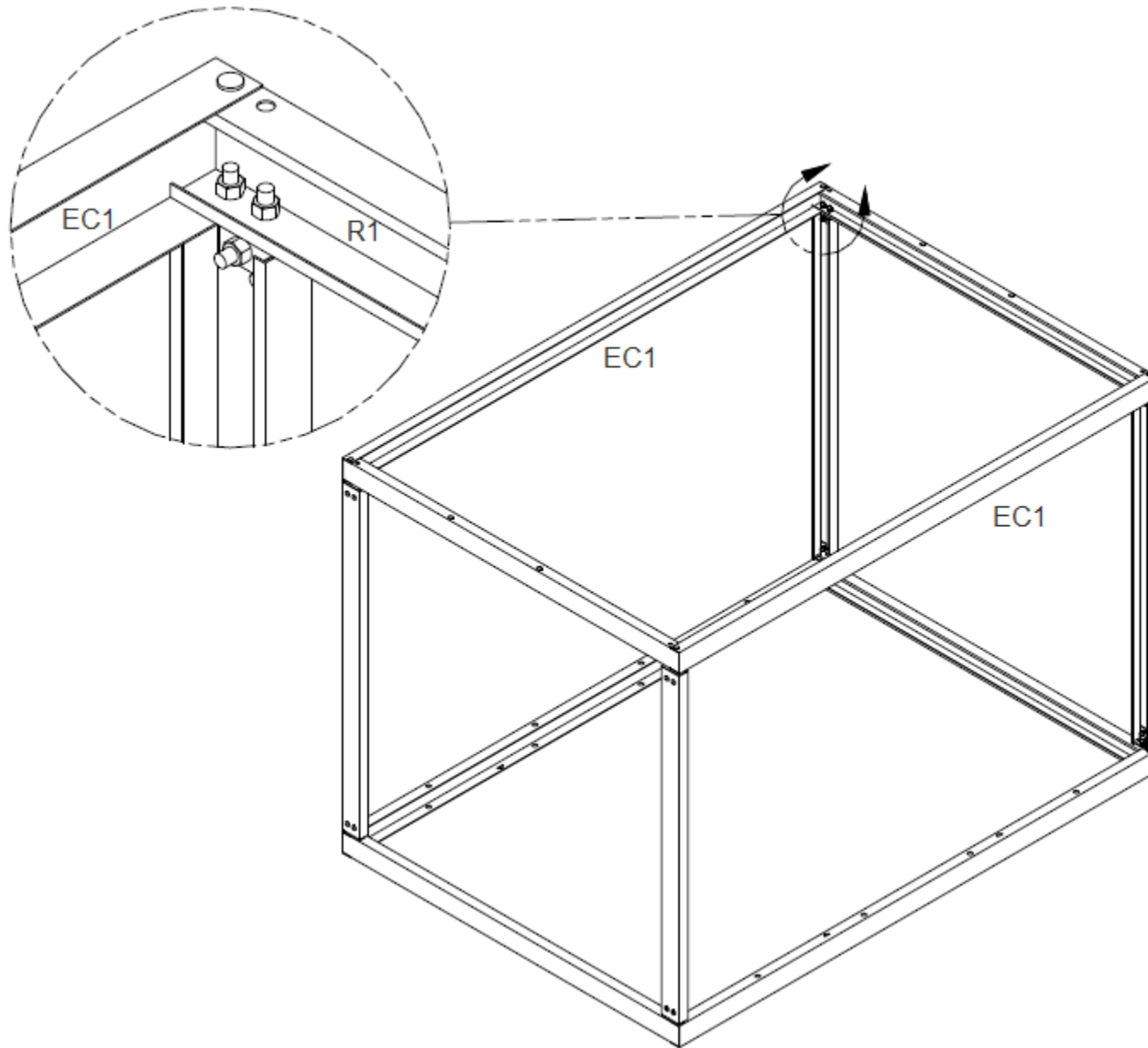
Erecting Columns (C1)



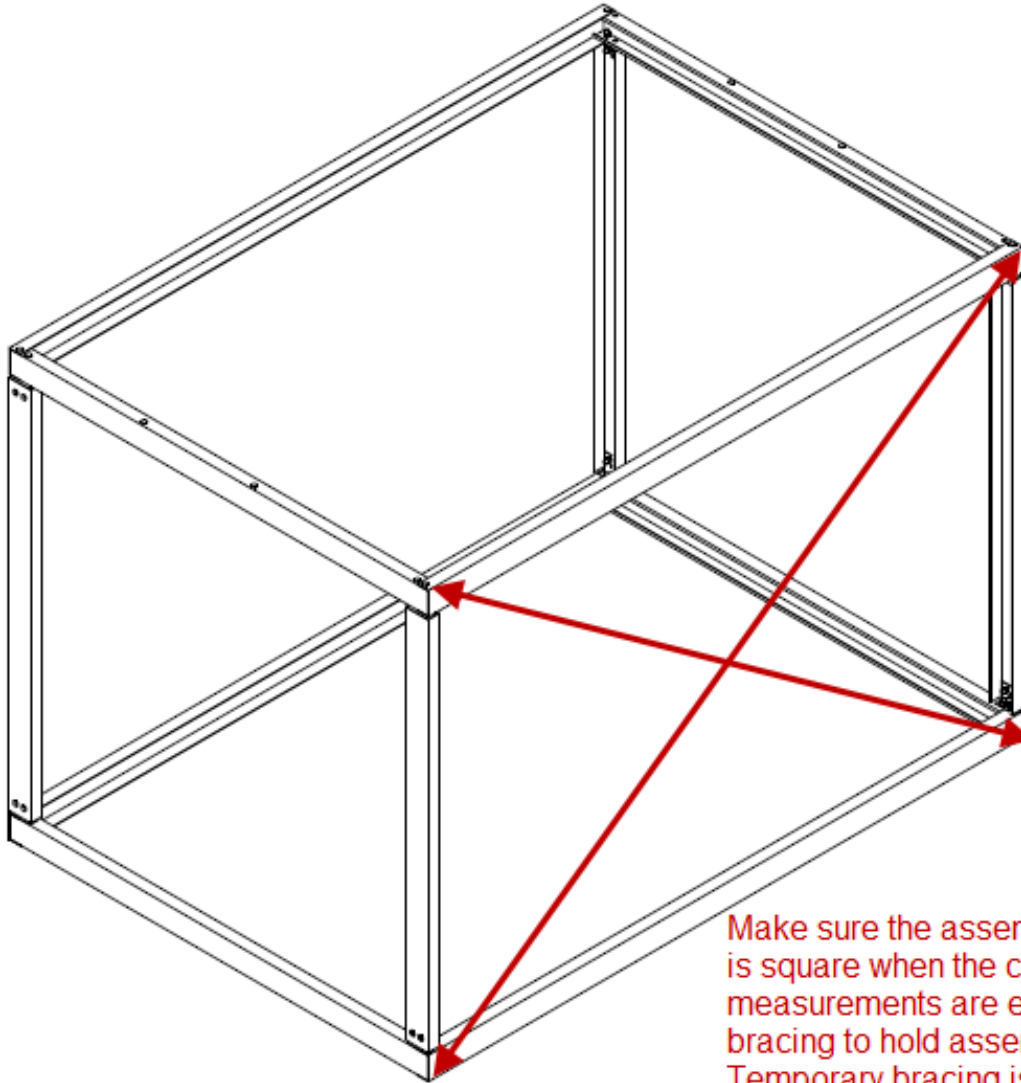
Adding Rafters (R1)



Adding Eave Channel (EC1)

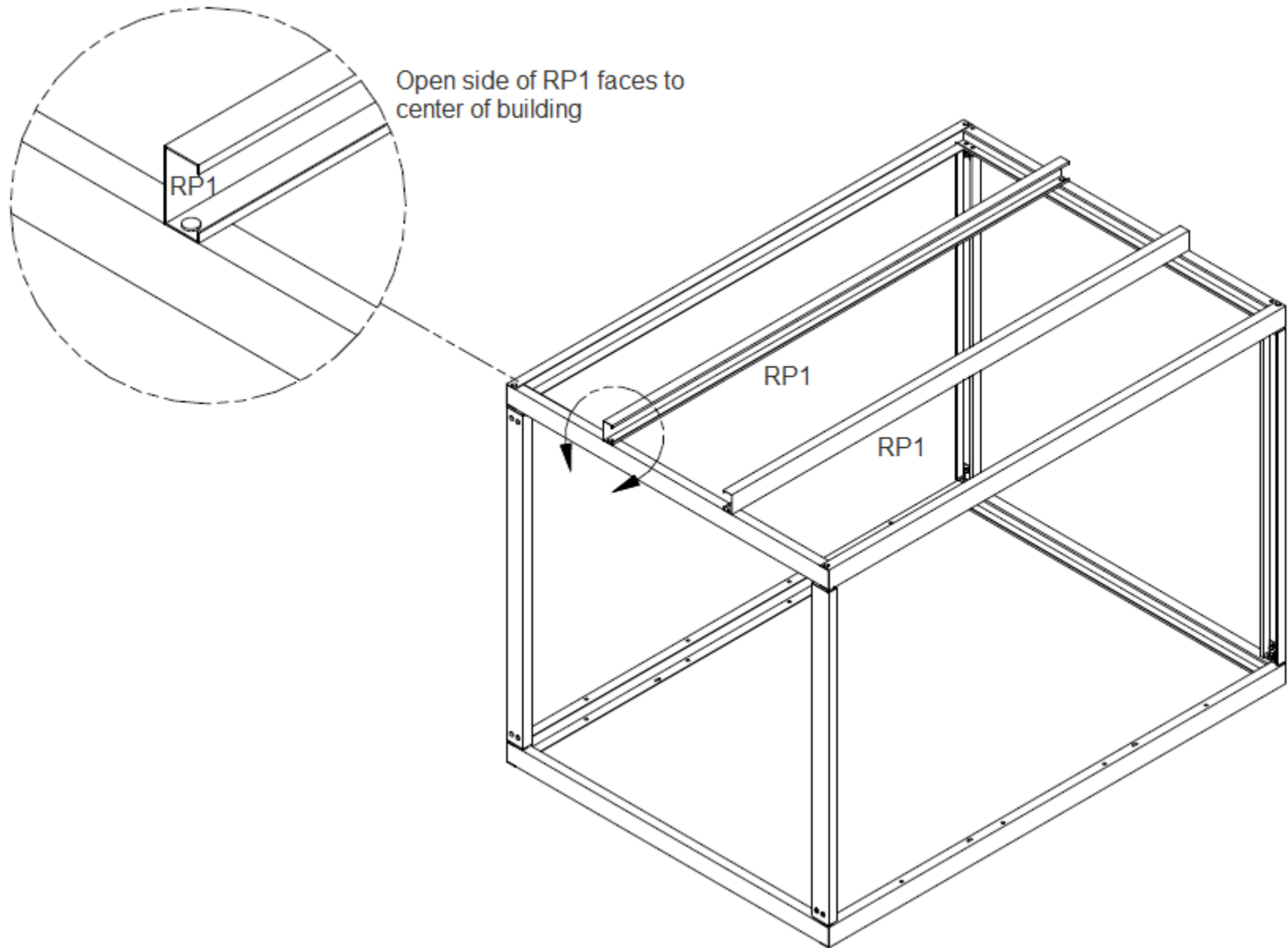


Make sure the assembly is square

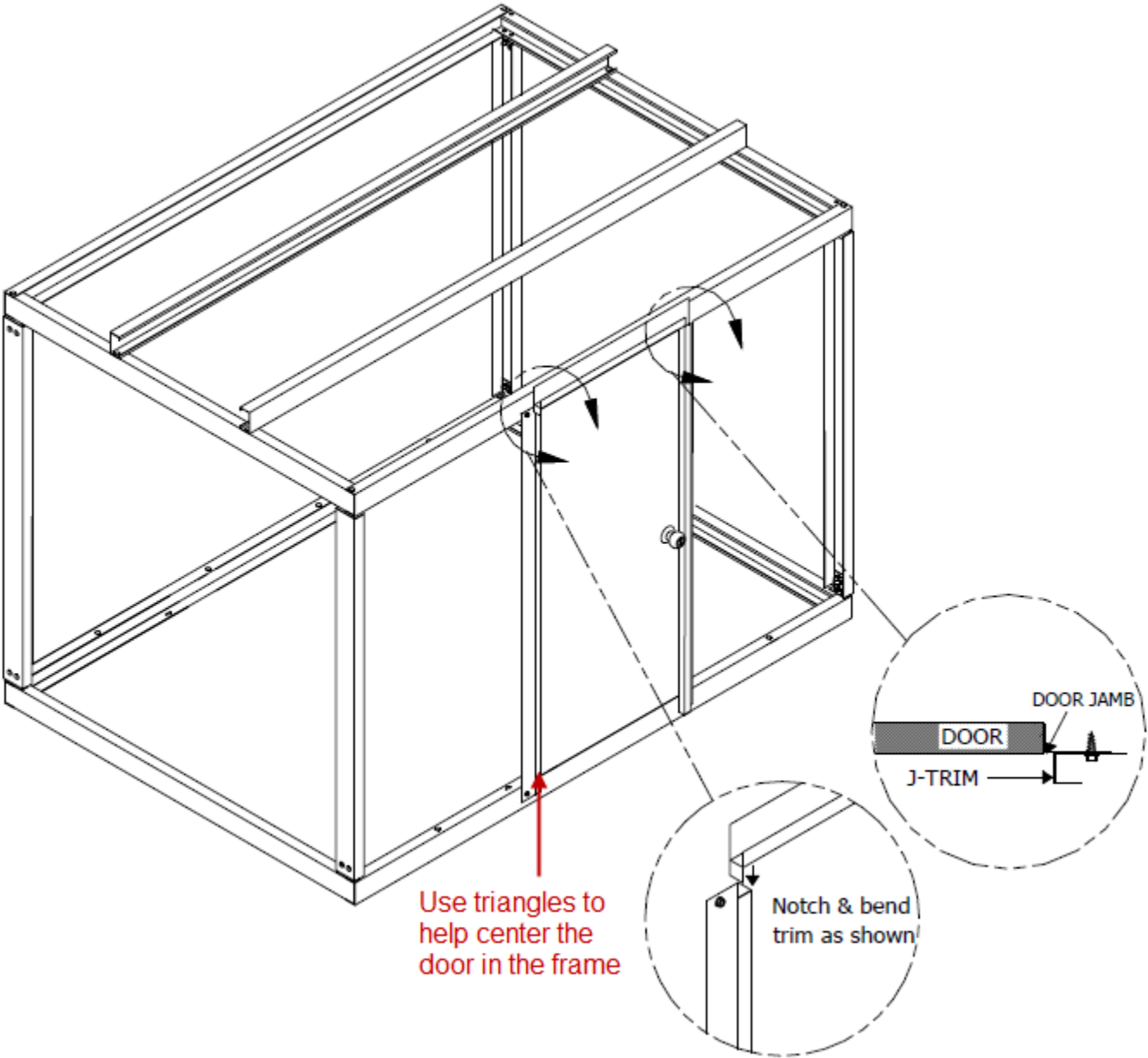


Make sure the assembly is square. Assembly is square when the corner to corner measurements are equal. Use temporary bracing to hold assembly square if required. Temporary bracing is not provided.

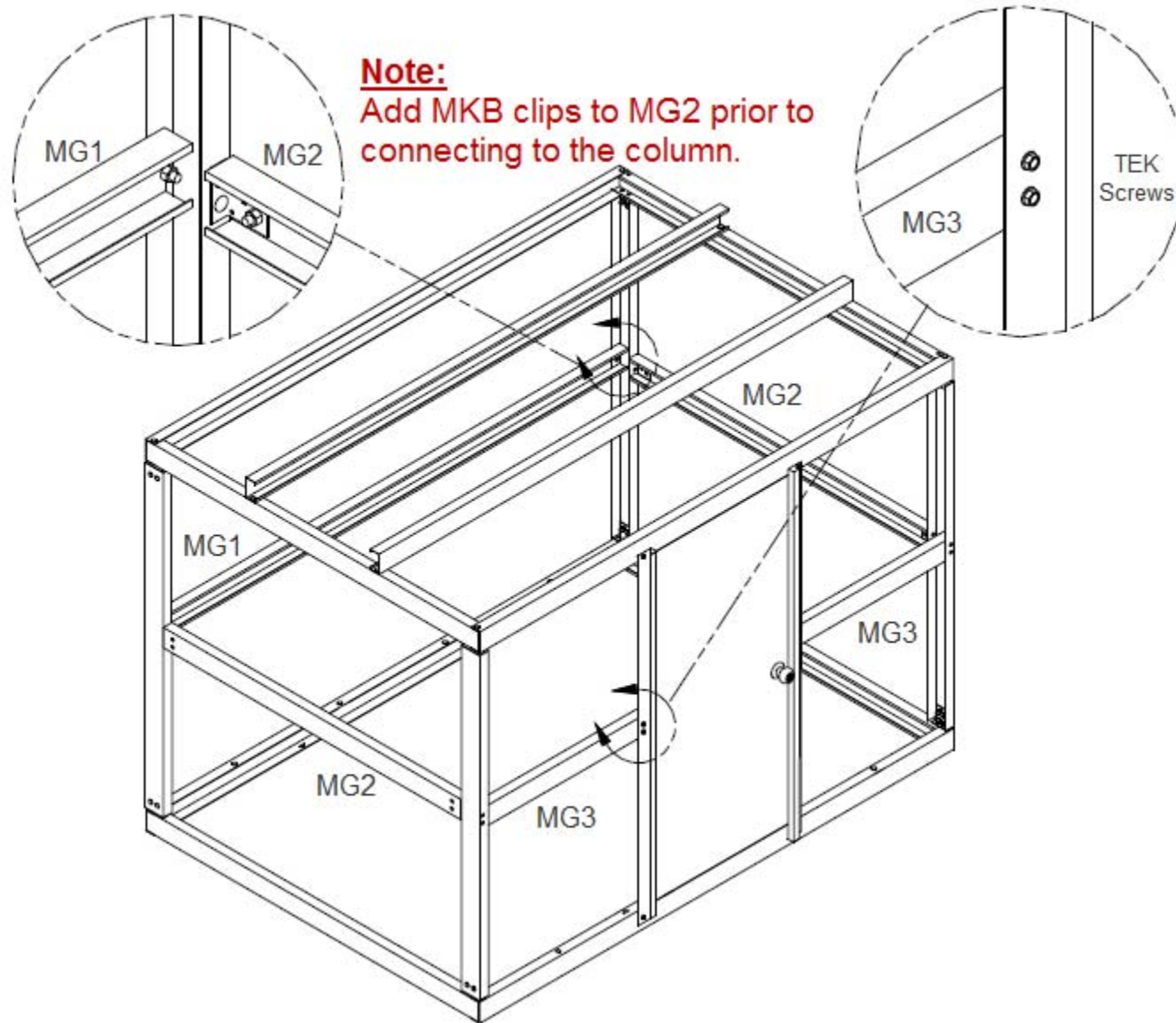
Adding Roof Purlin (RP1)



Adding Door and Door Trim



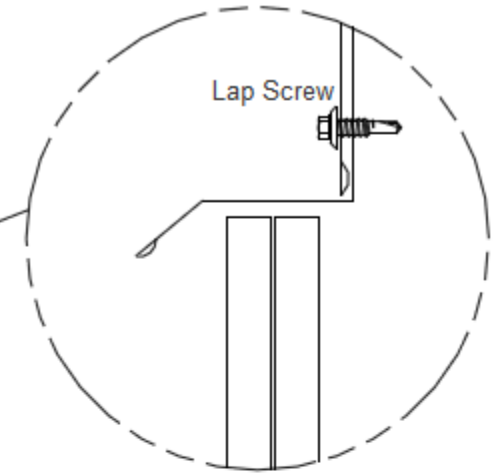
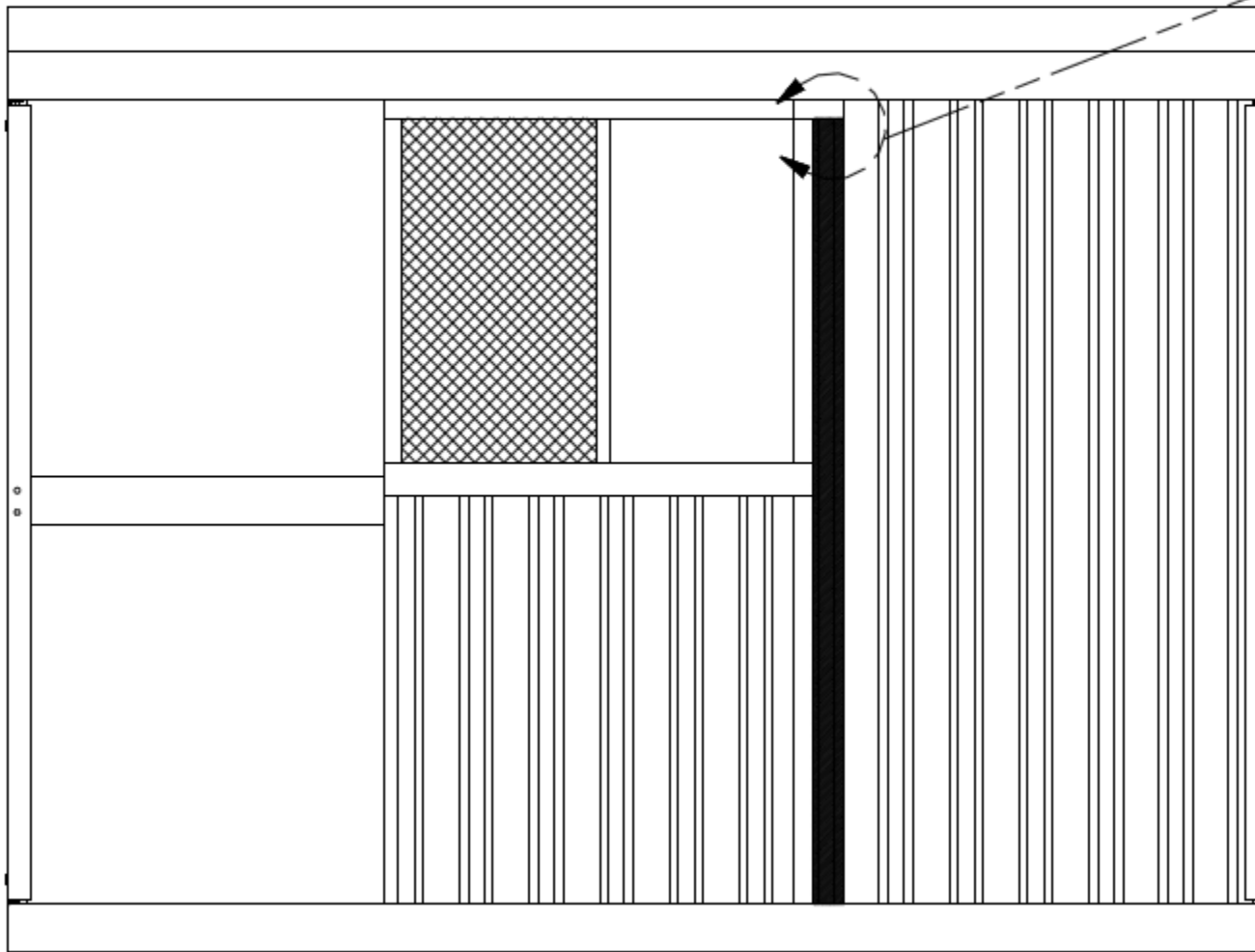
Adding Mid-Girts (MG1, MG2 and MG3)



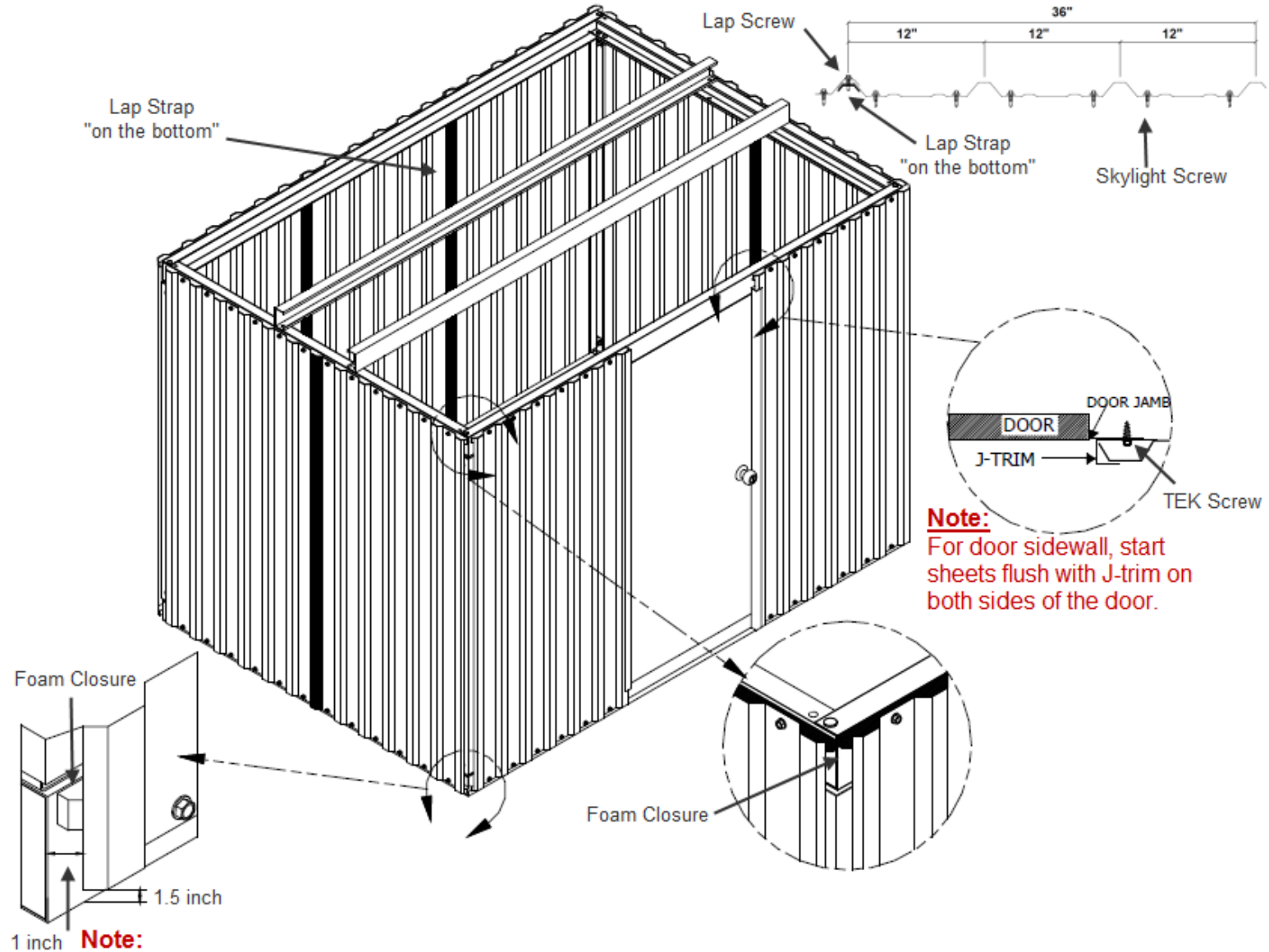
Add Window

Note:

Install one sheet, insert window and lap strap flush to sheet. Add drip edge window trim when installing eave trim

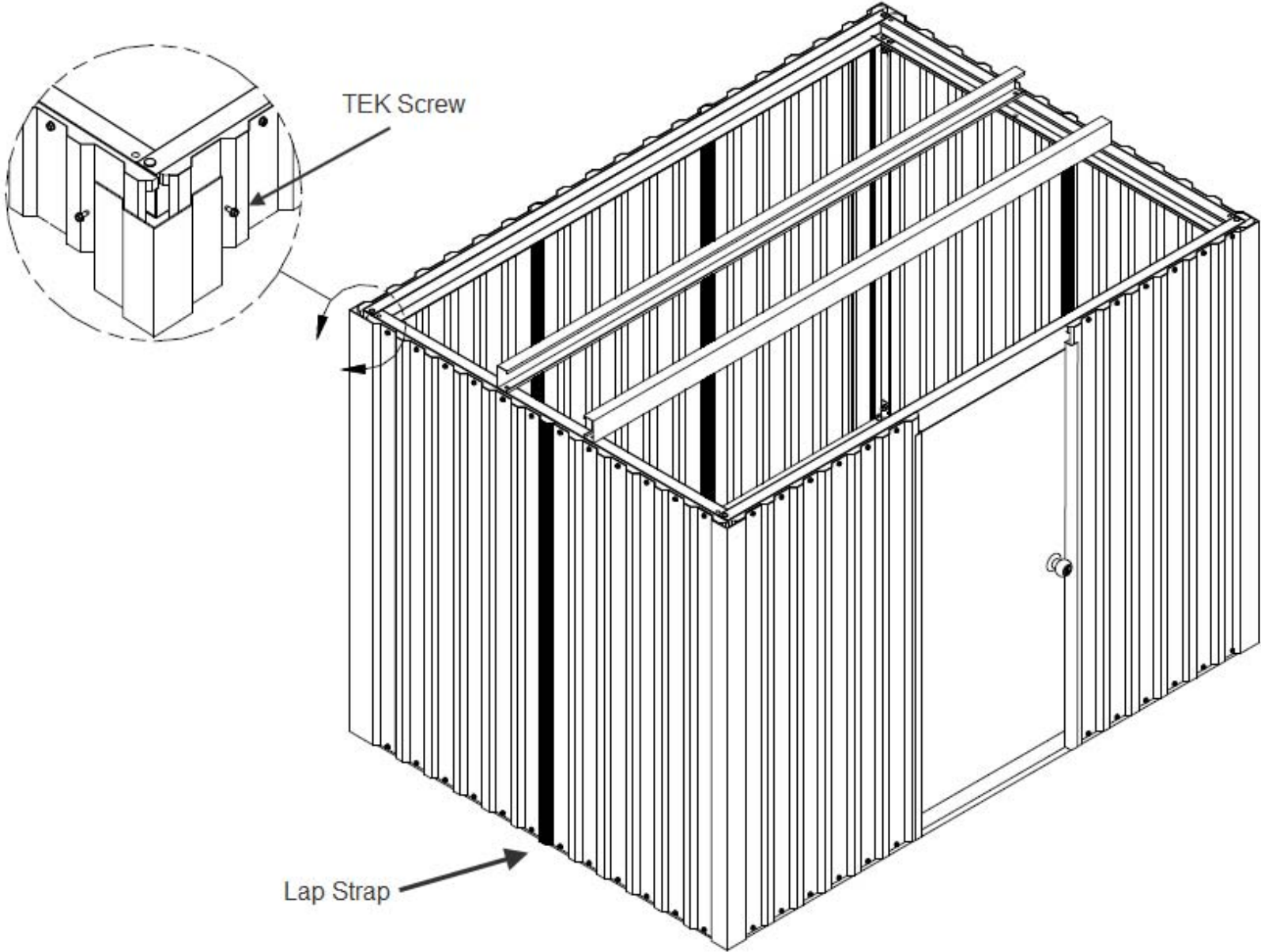


Sheeting (Start from a corner)

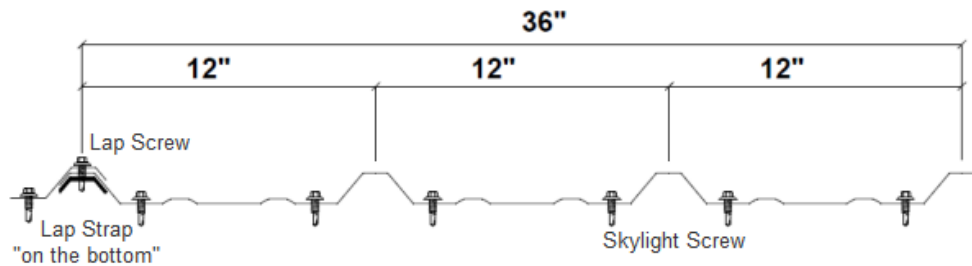
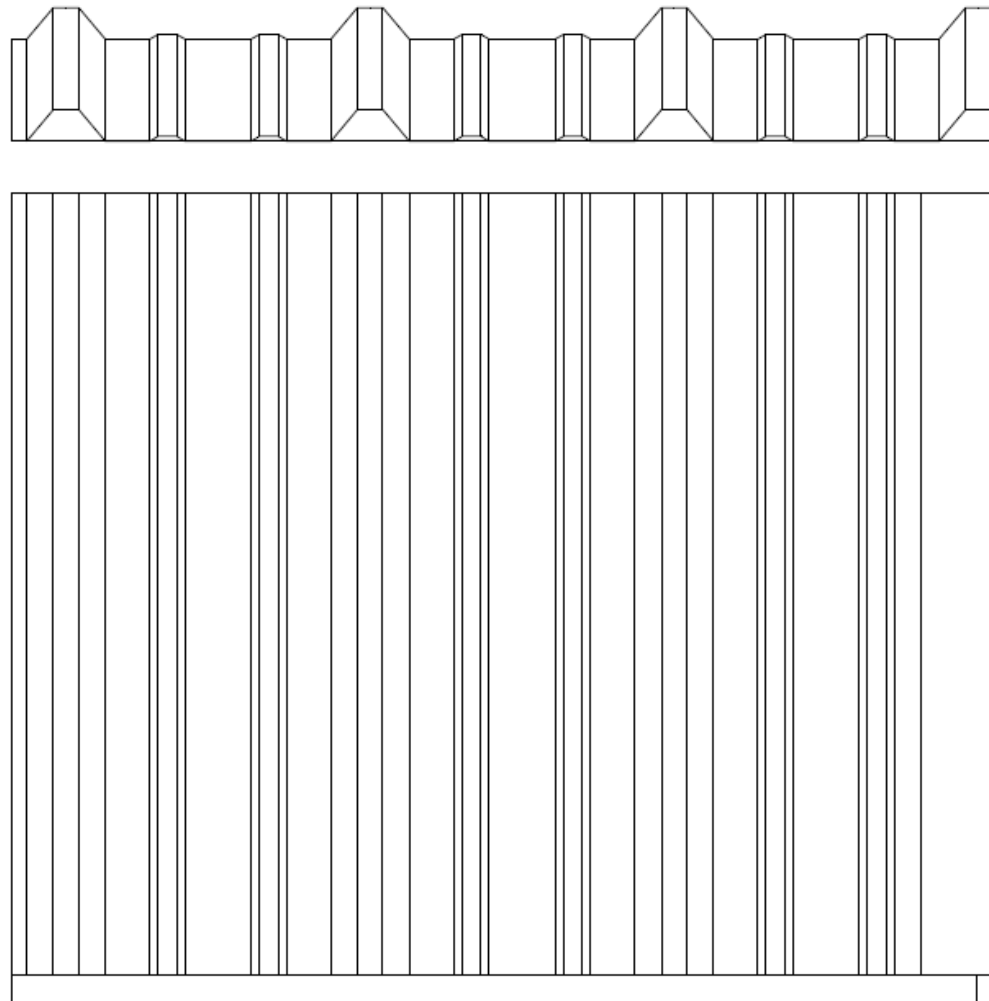


Note: Make sure the frame is plumb and level, and tighten all bolts prior to sheeting. Repeat for each wall.

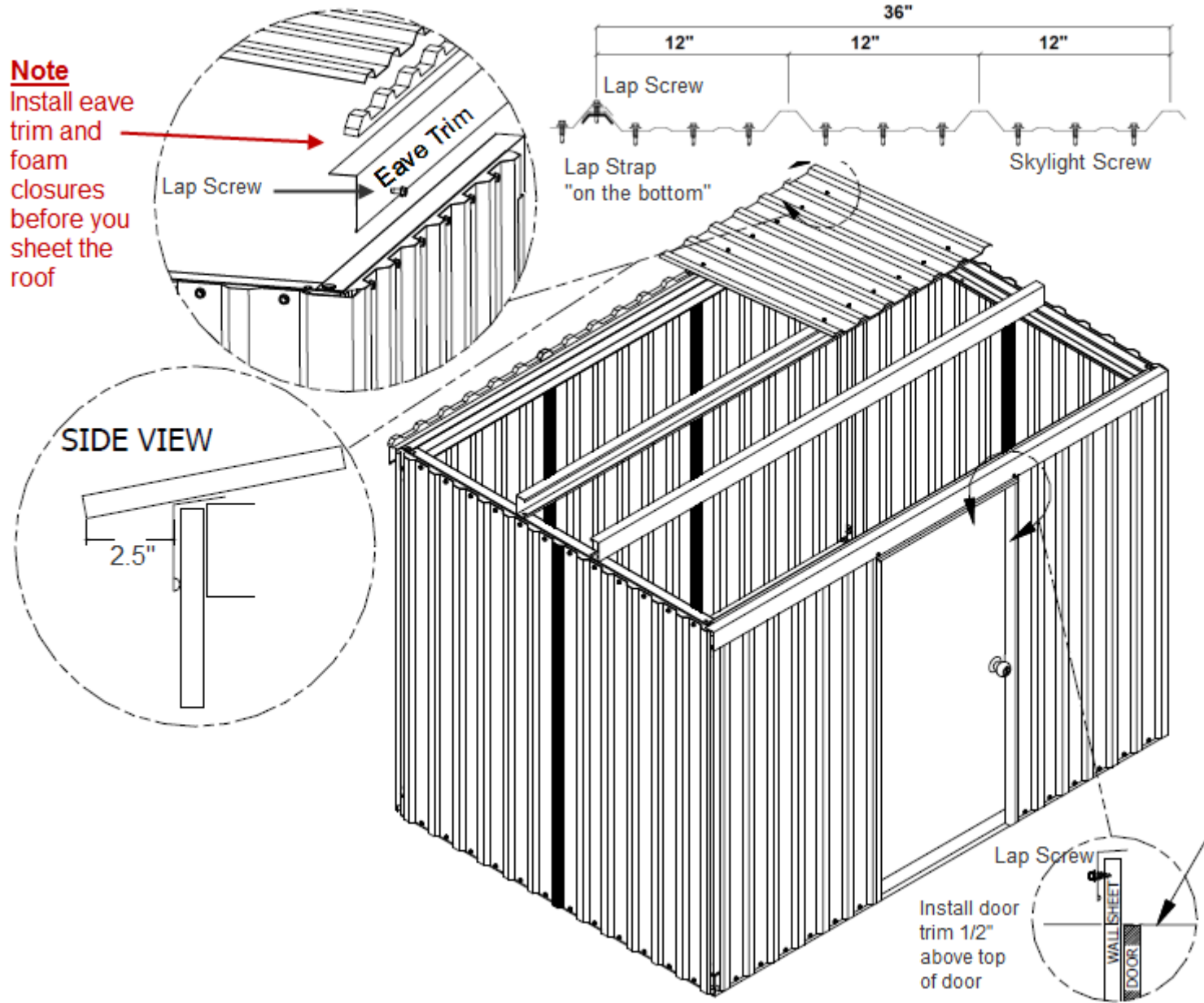
Adding Corner Trim



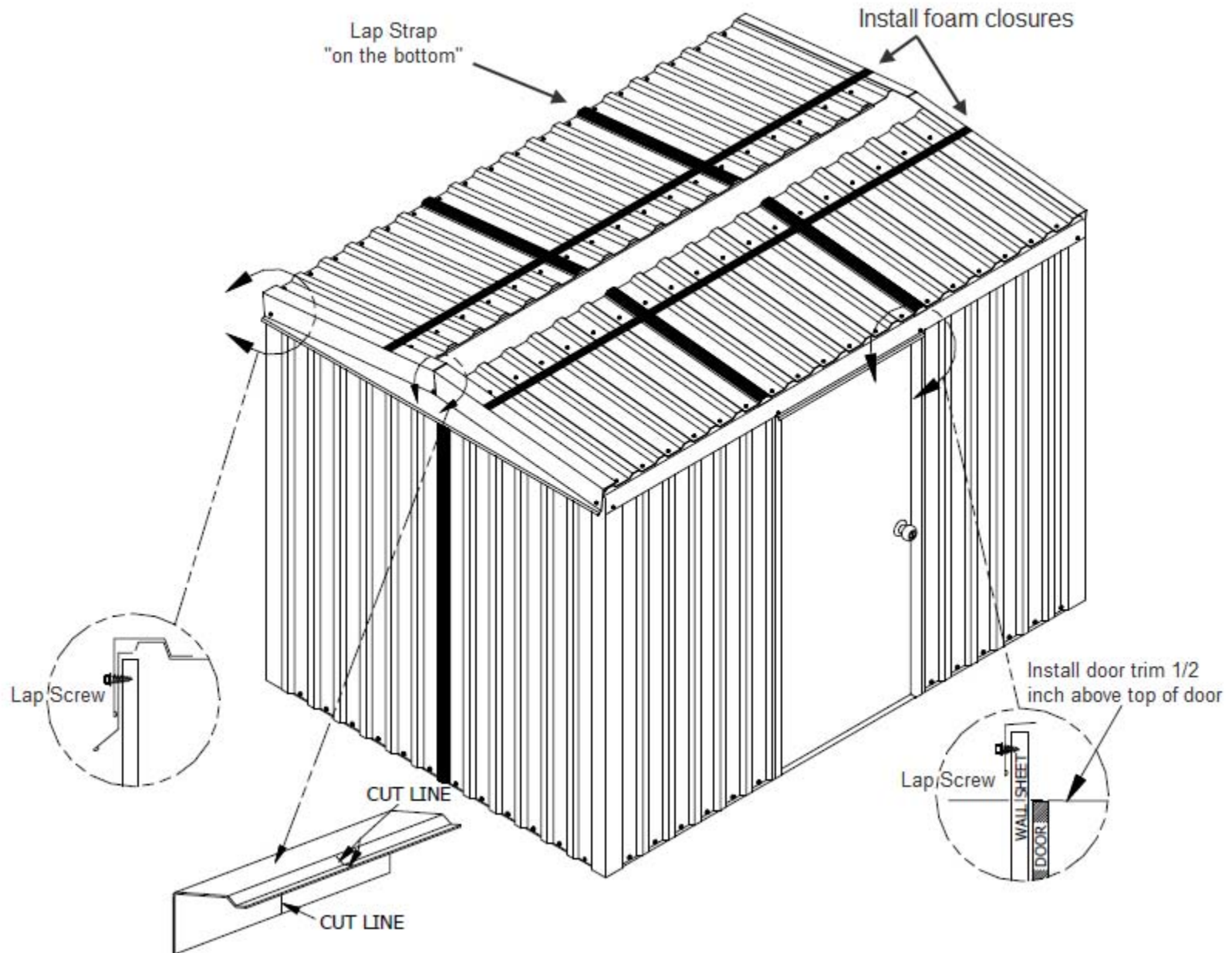
Roof to Wall Sheet Alignment
Align major ribs from wall to major rib on roof



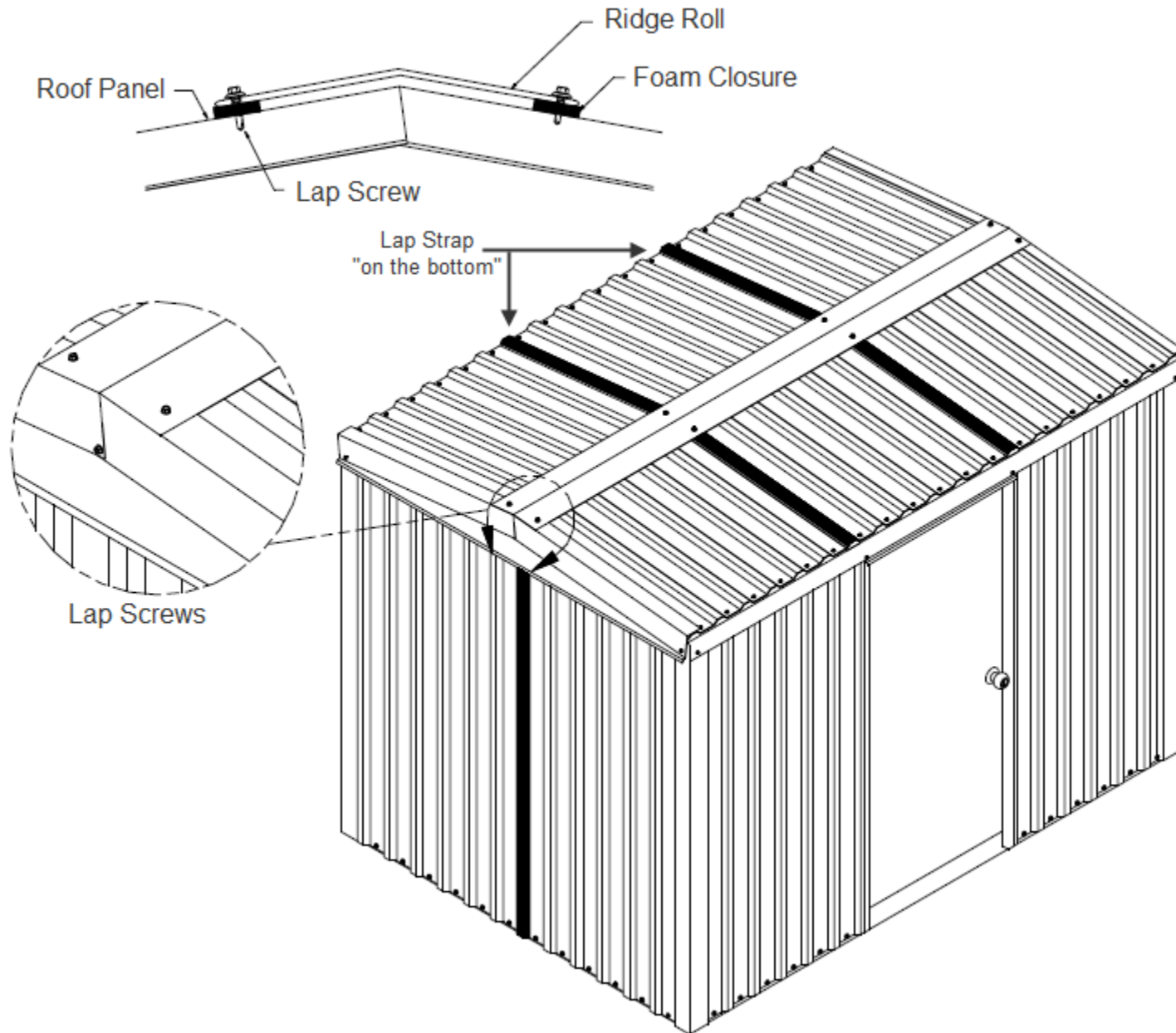
Sheeting the Roof



Roofing Trim Details



Skylight Ridge Roll Installation



Total Building Measurements

