



877-2-MUELLER

www.muellerinc.com

9x12 (DIY) with Optional Center Girts and Floor Kit Instructions

Mueller DIY buildings are not engineered structures and do not meet any specific building code criteria.

Parts List

There is not an attached parts list included in these instructions. Due to continuing improvements, the parts list is the itemized invoice delivered with your building.

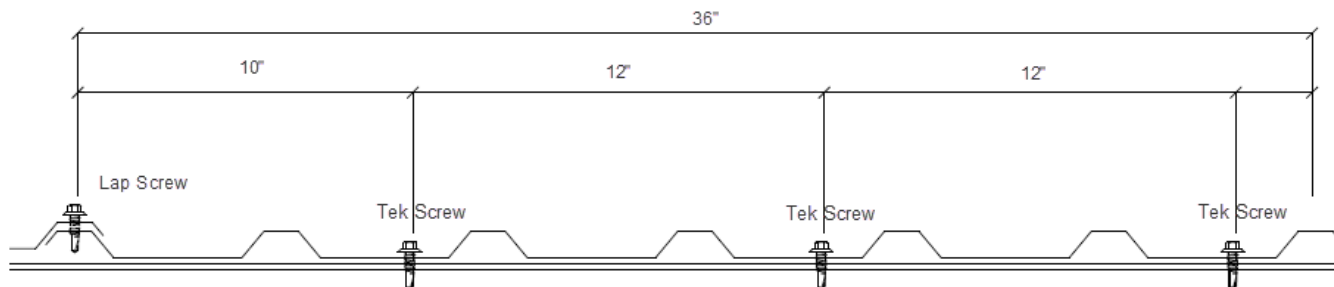
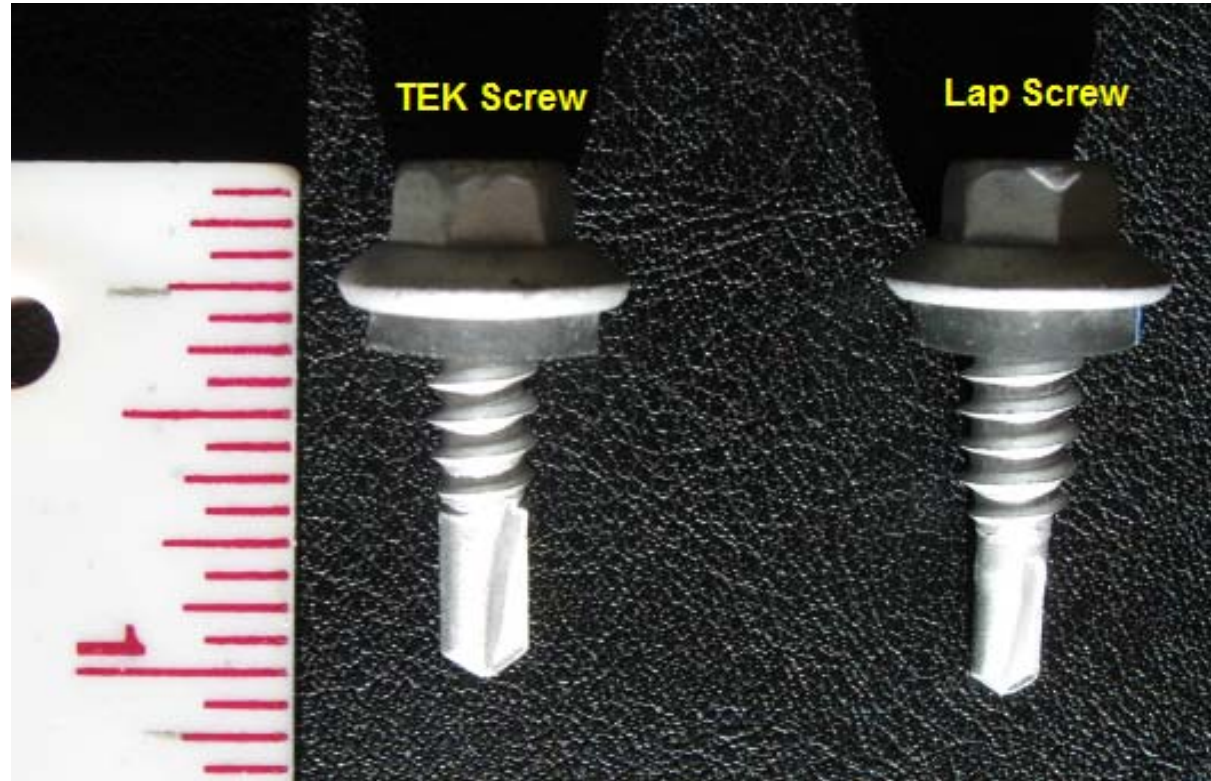
All parts are stenciled on the inside of the channel, purlin, girts and rafters. Example of this is below:



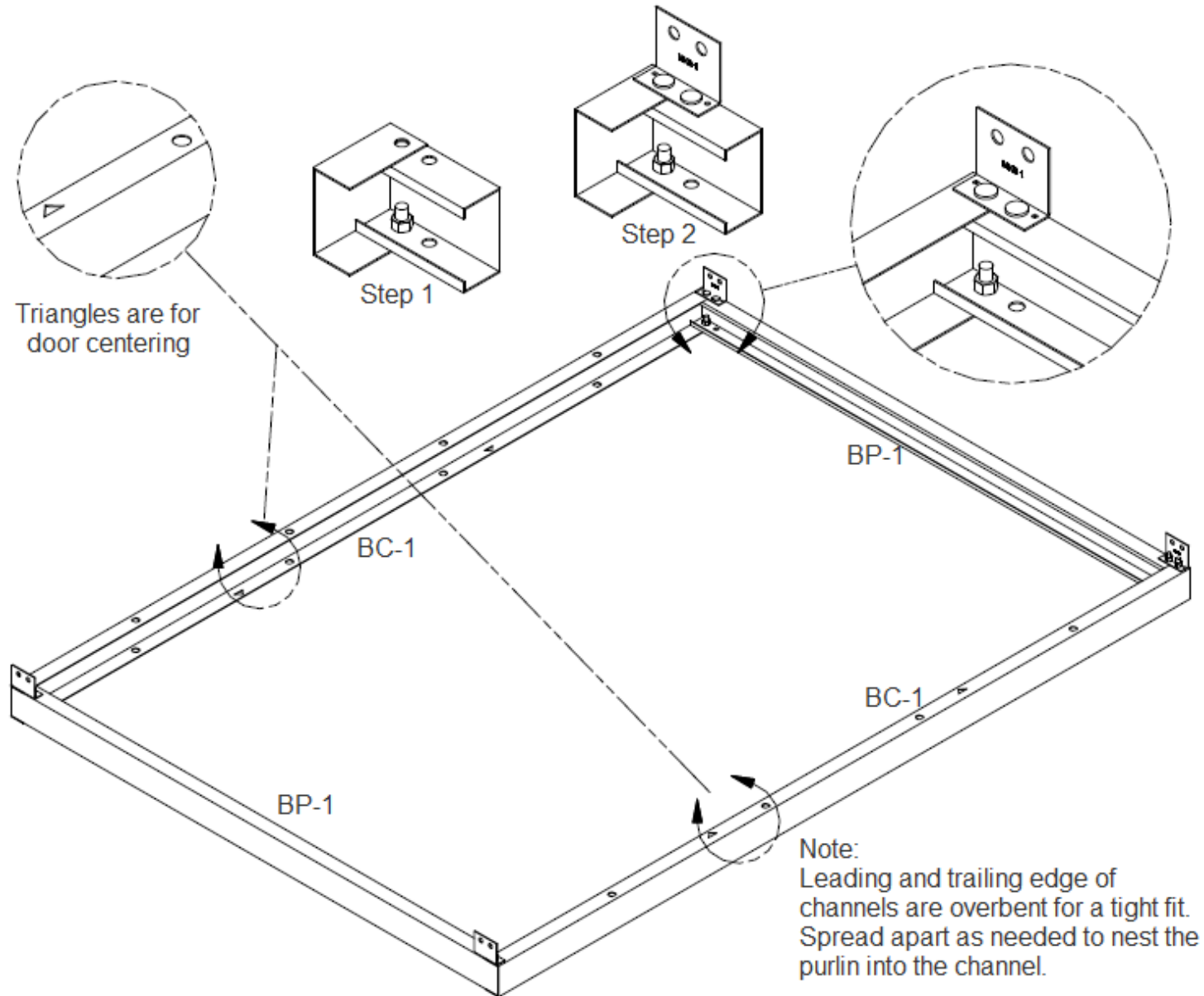
Types of Screws

TEK Screw
"Shorter Shaft"

Lap Screw
"Thicker Shaft"



Base Layout (BC-1 and BP-1)



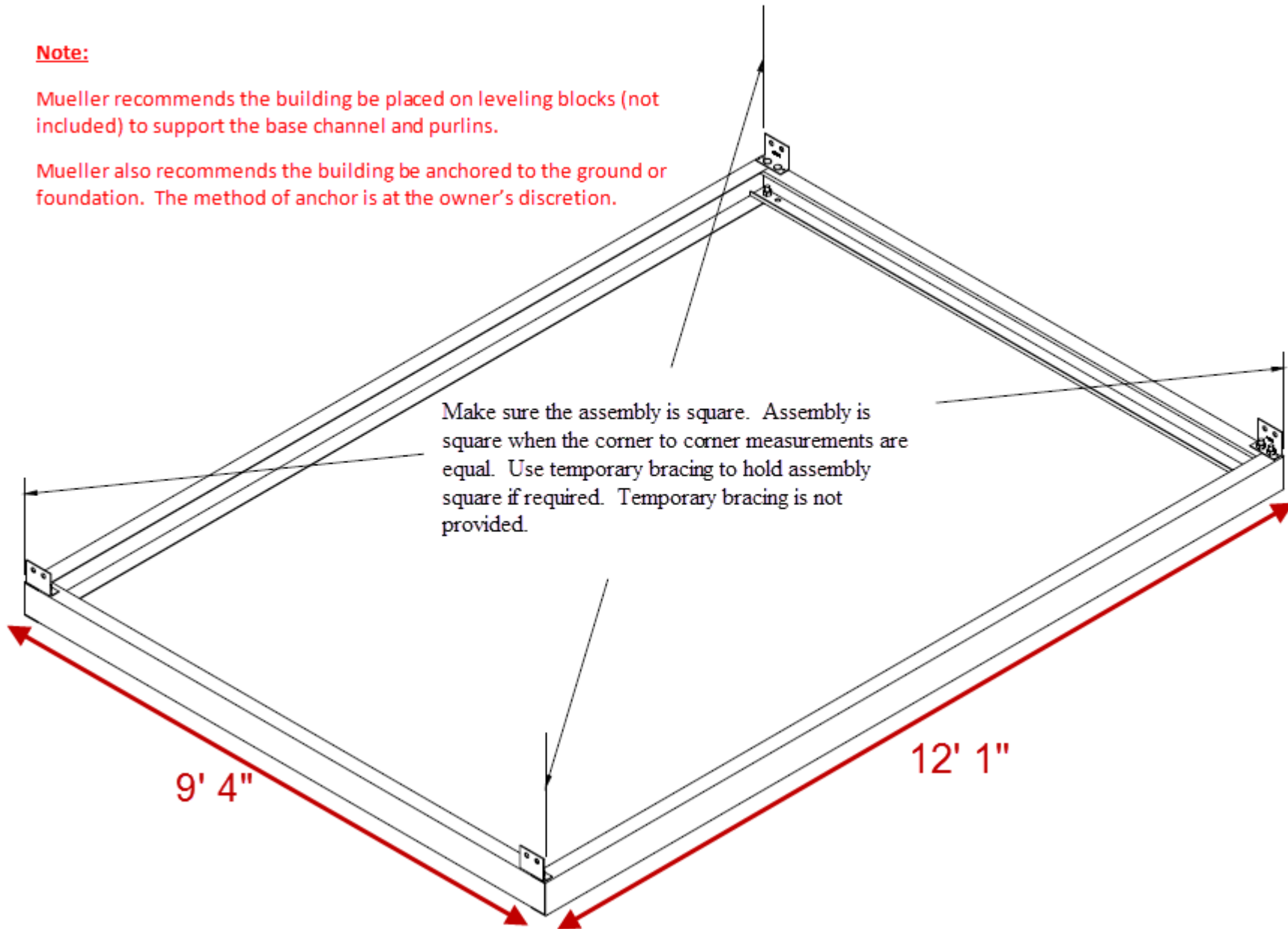
Level and proper blocking is critical for the base layout

Make sure the assembly is square

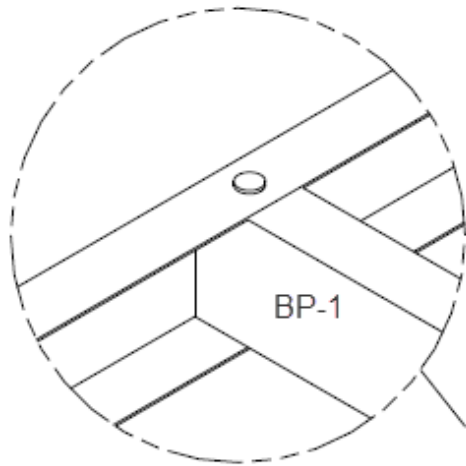
Note:

Mueller recommends the building be placed on leveling blocks (not included) to support the base channel and purlins.

Mueller also recommends the building be anchored to the ground or foundation. The method of anchor is at the owner's discretion.



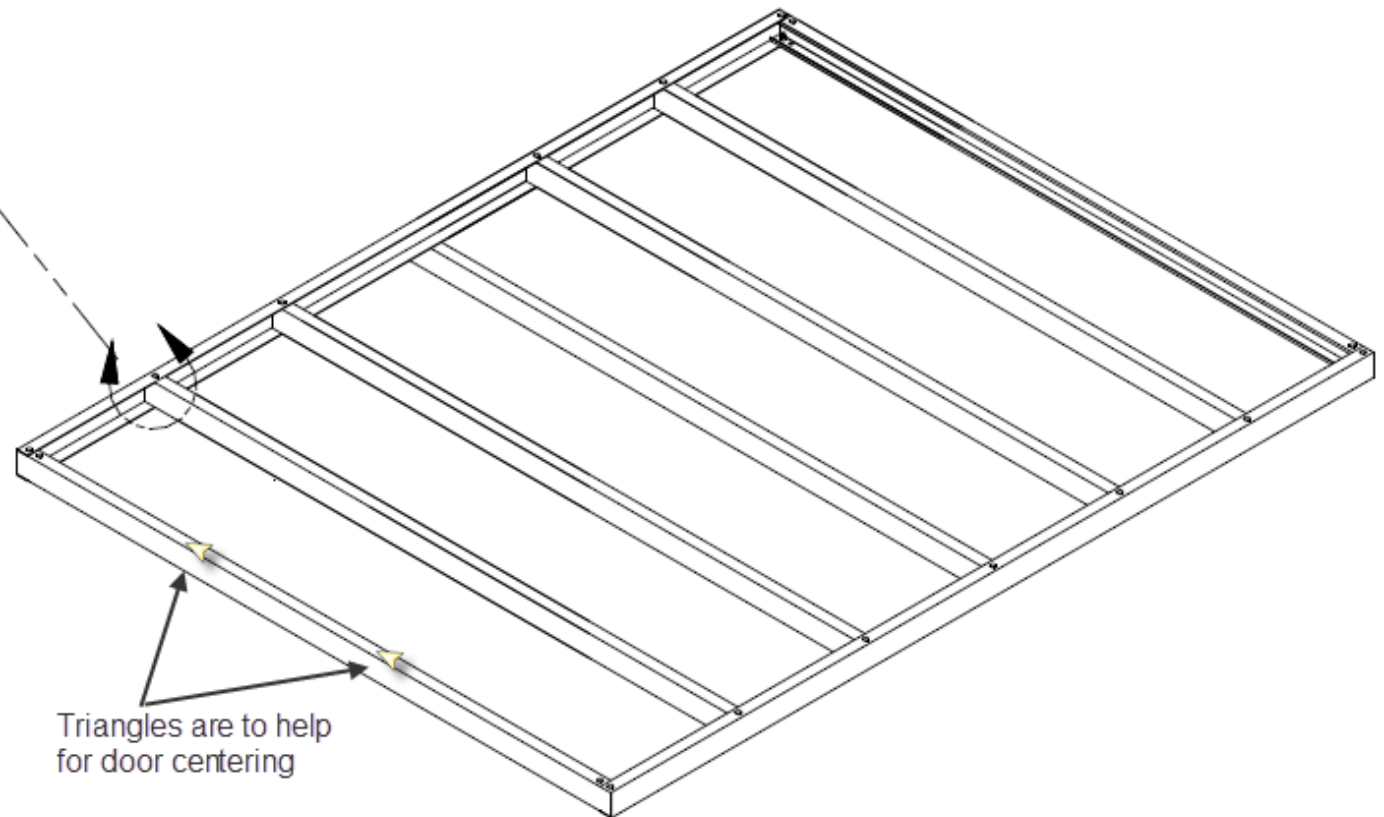
Floor Kit (Optional)



Note:

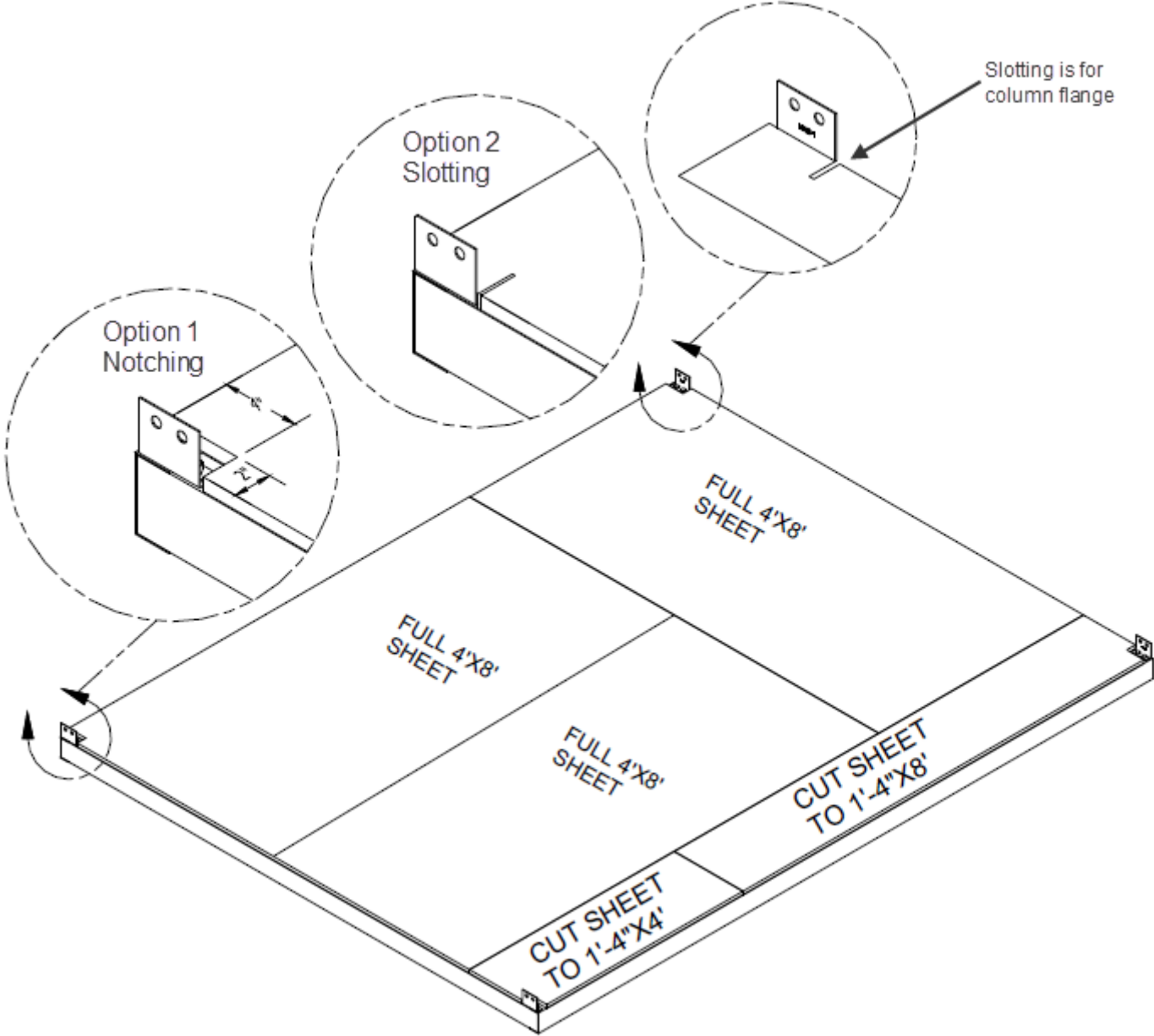
Mueller recommends the building be placed on leveling blocks (not included) to support the base channel and purlins.

Mueller also recommends the building be anchored to the ground or foundation. The method of anchor is at the owner's discretion.

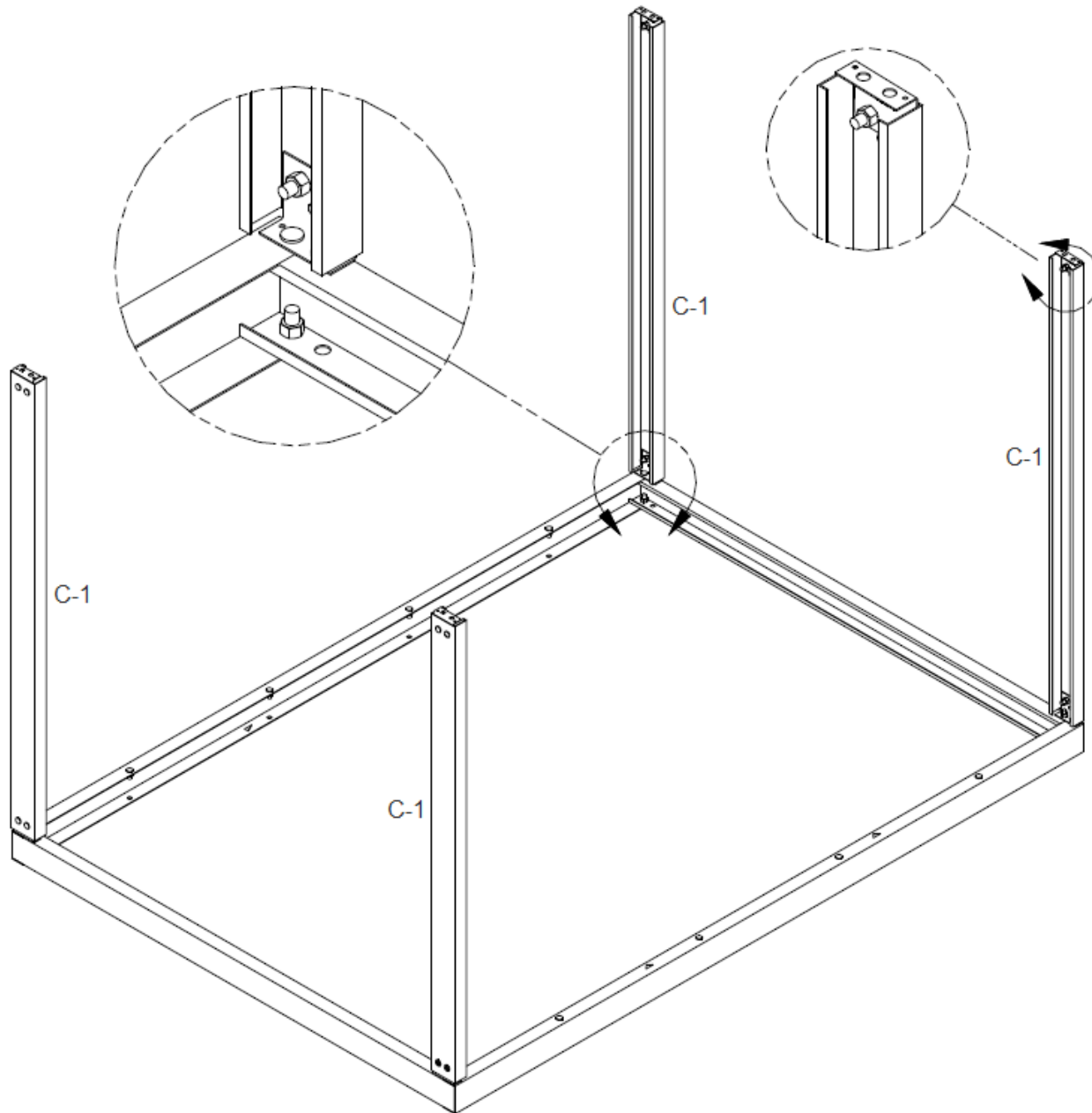


Triangles are to help for door centering

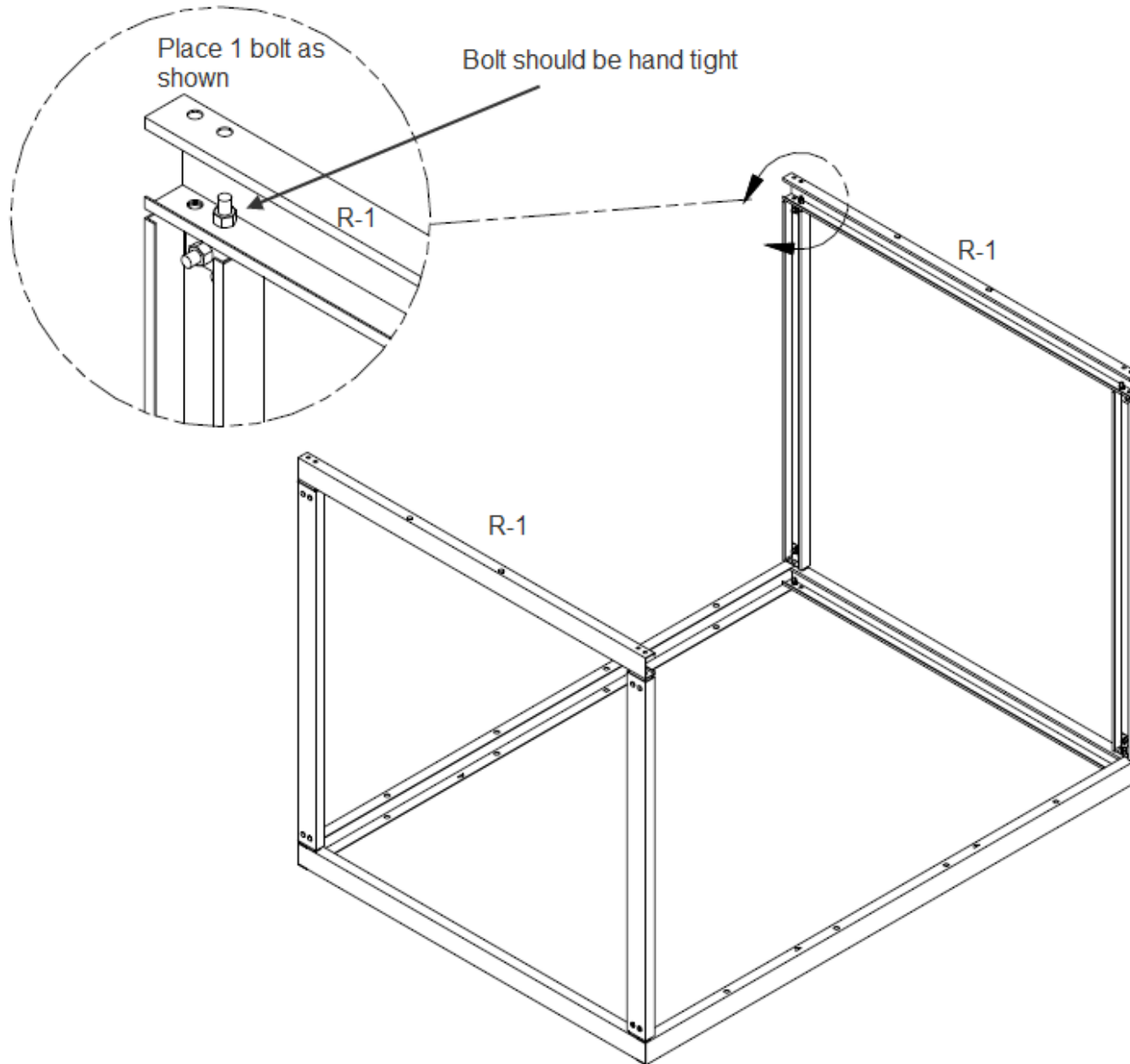
Floor Kit (Optional)



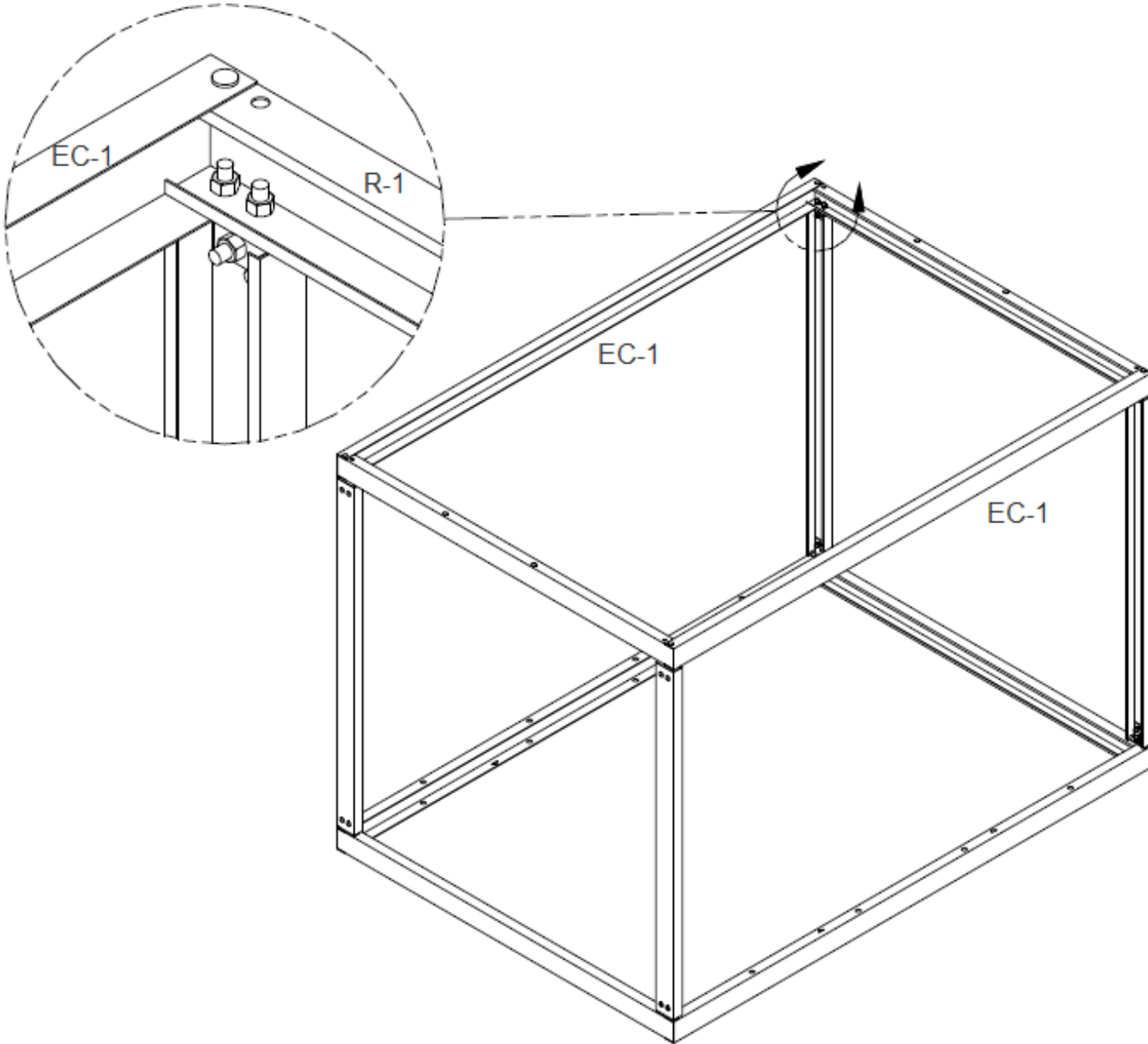
Erecting Columns (C-1)



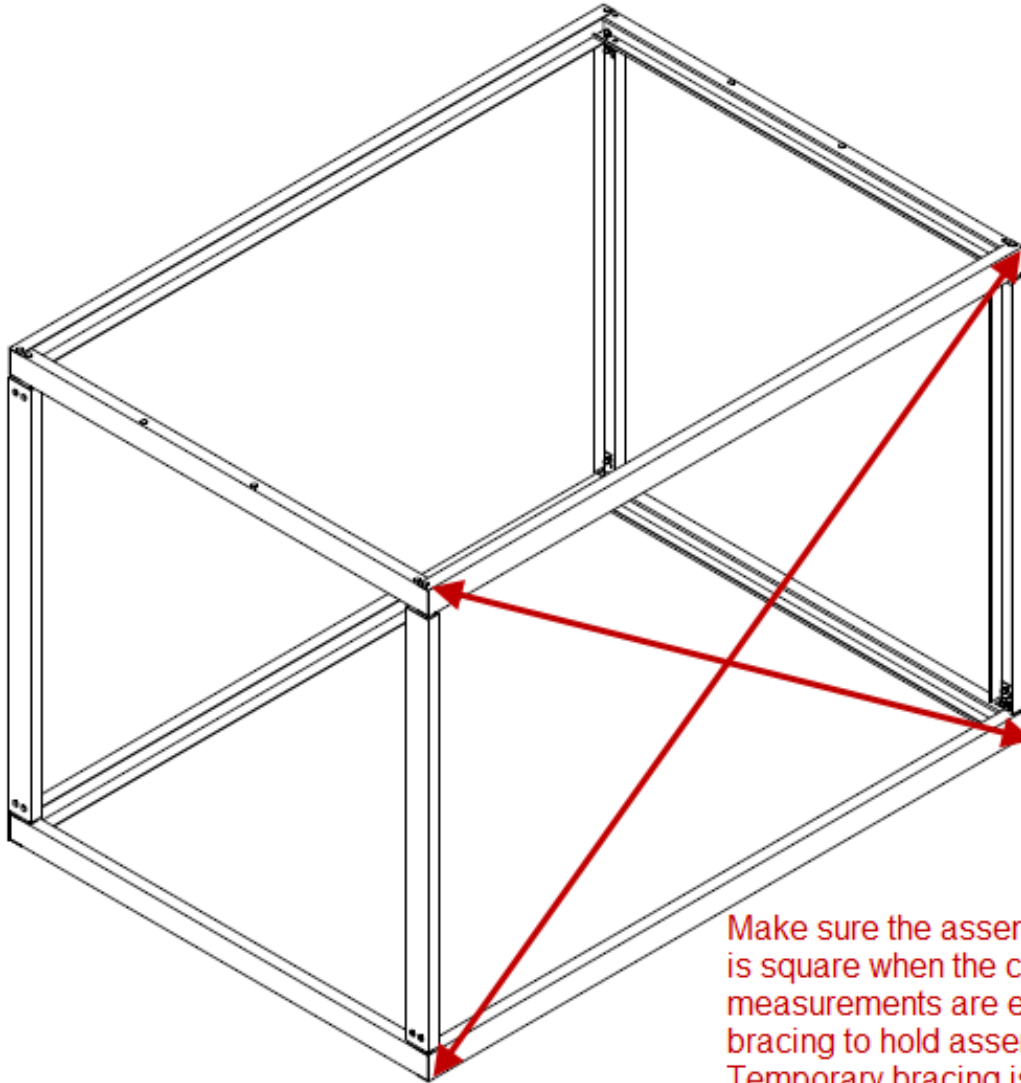
Rafters (R-1)



Eave Channel (EC-1)

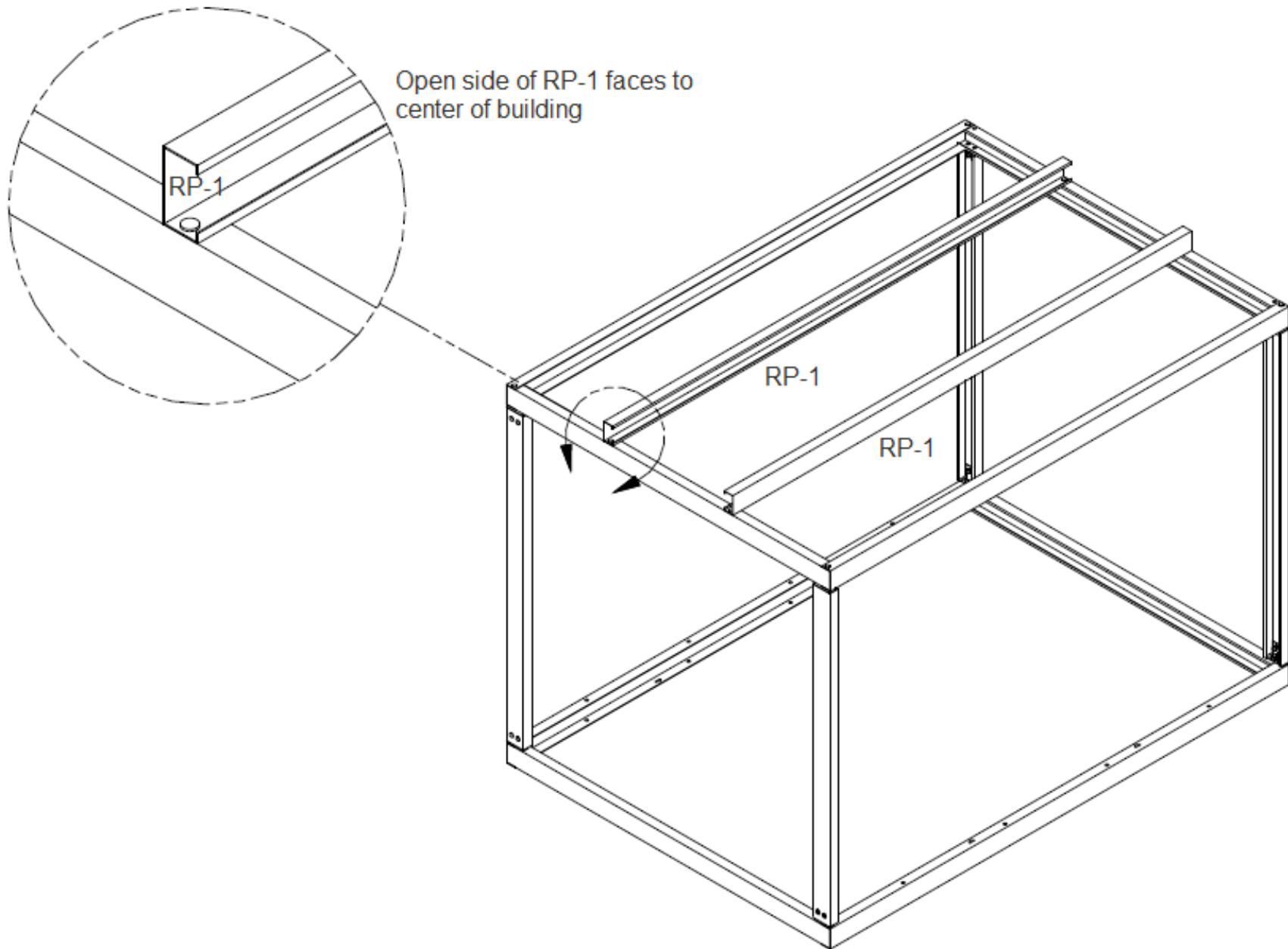


Make sure the assembly is square

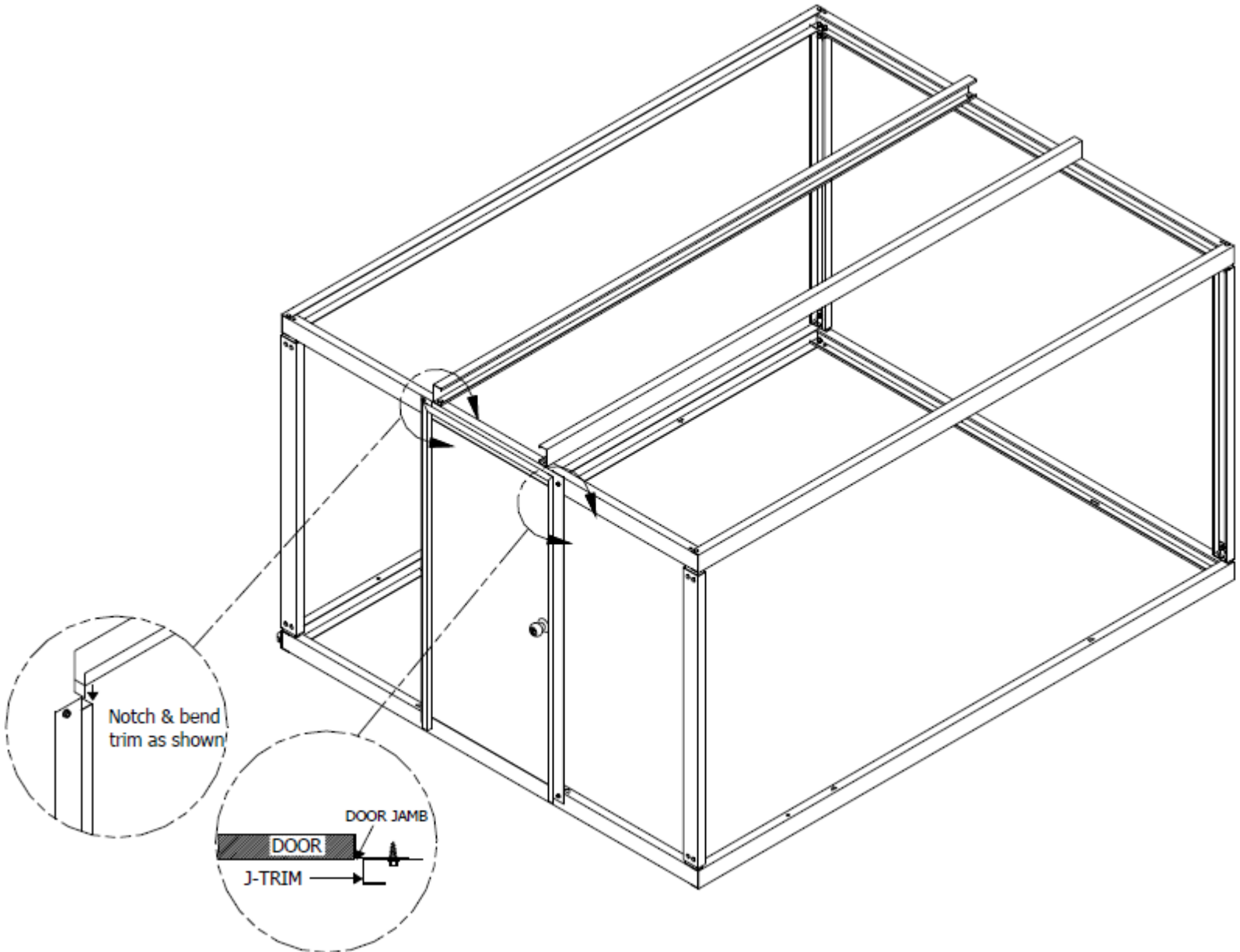


Make sure the assembly is square. Assembly is square when the corner to corner measurements are equal. Use temporary bracing to hold assembly square if required. Temporary bracing is not provided.

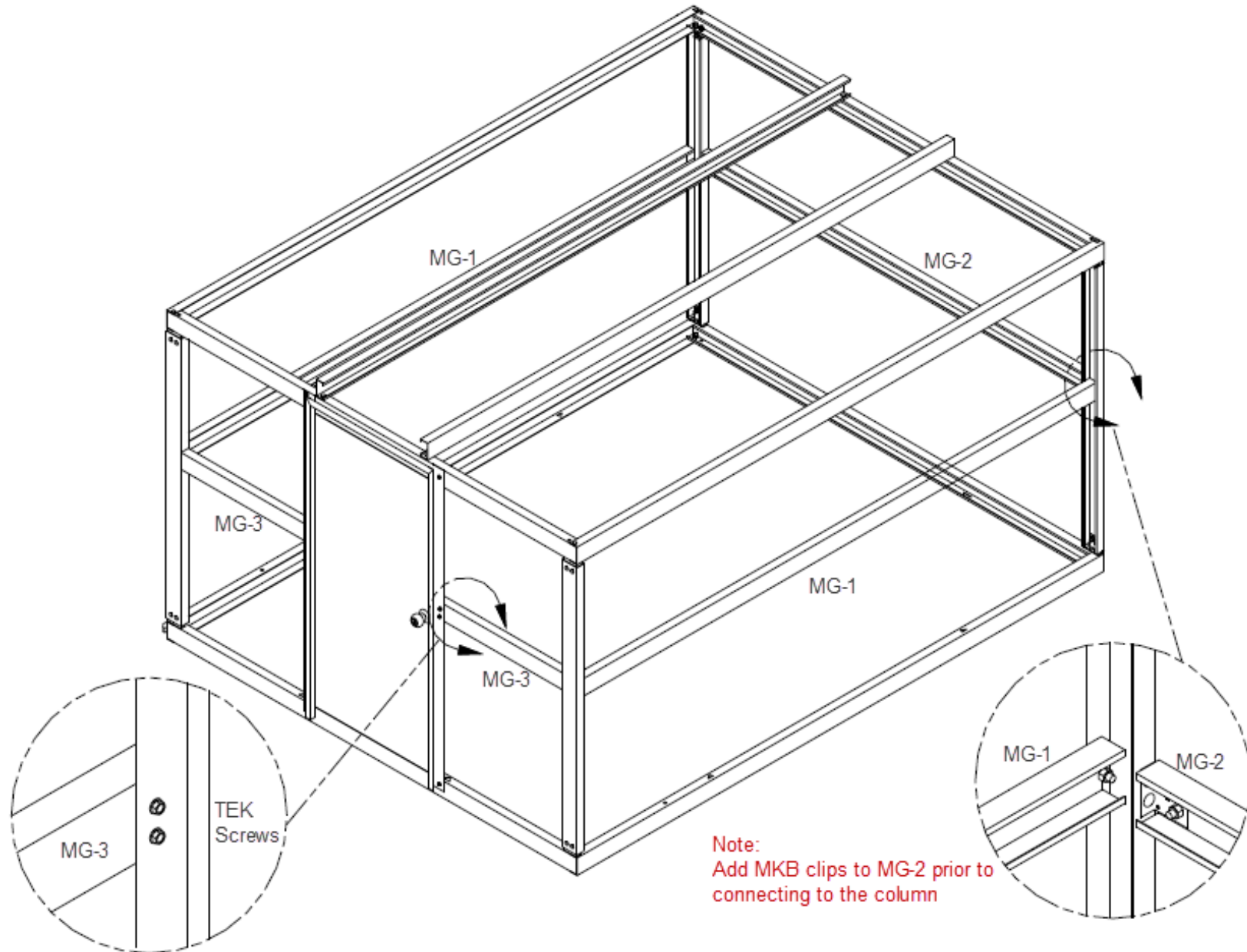
Roof Purlin (RP-1)



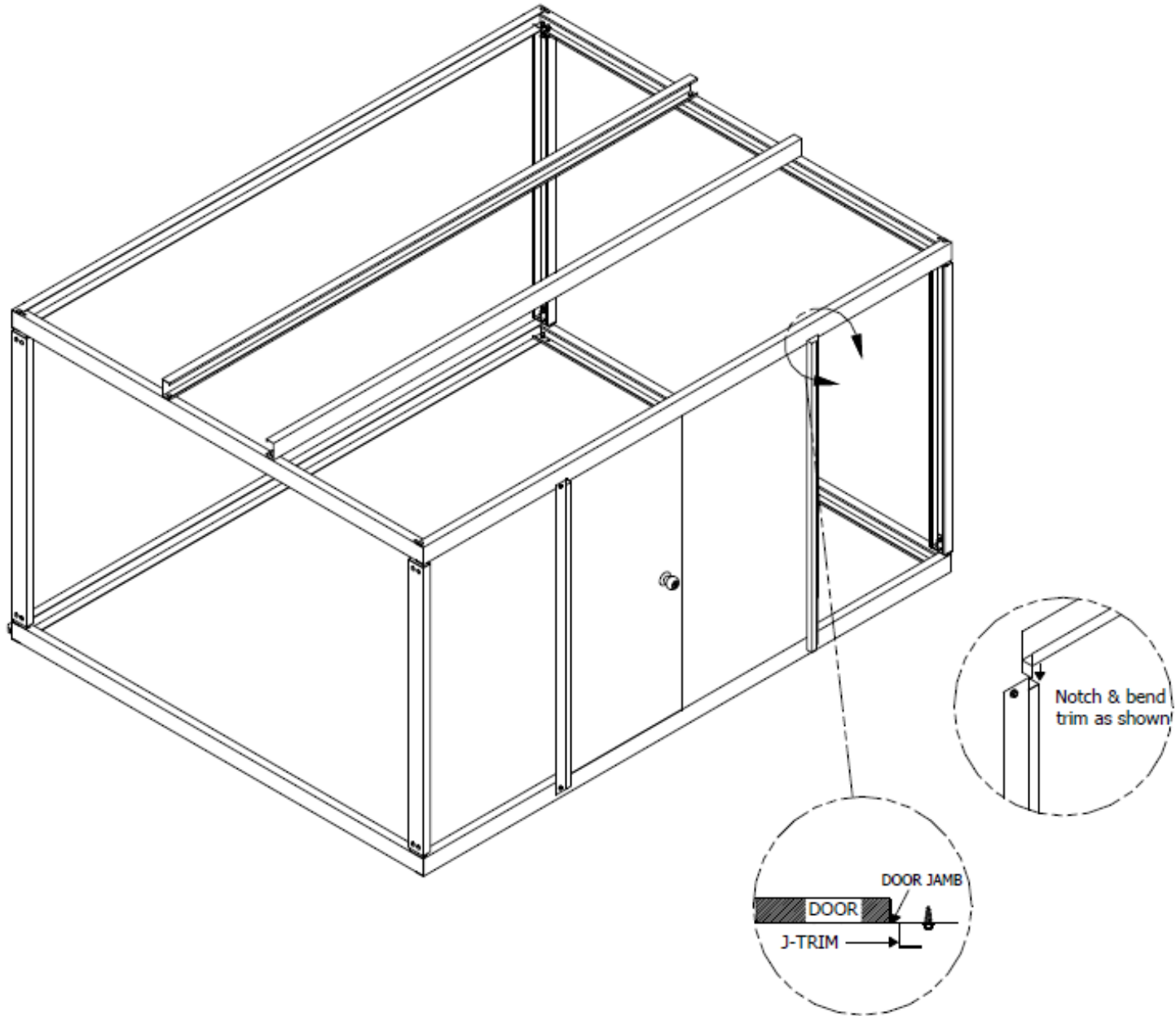
Door and Door Trim



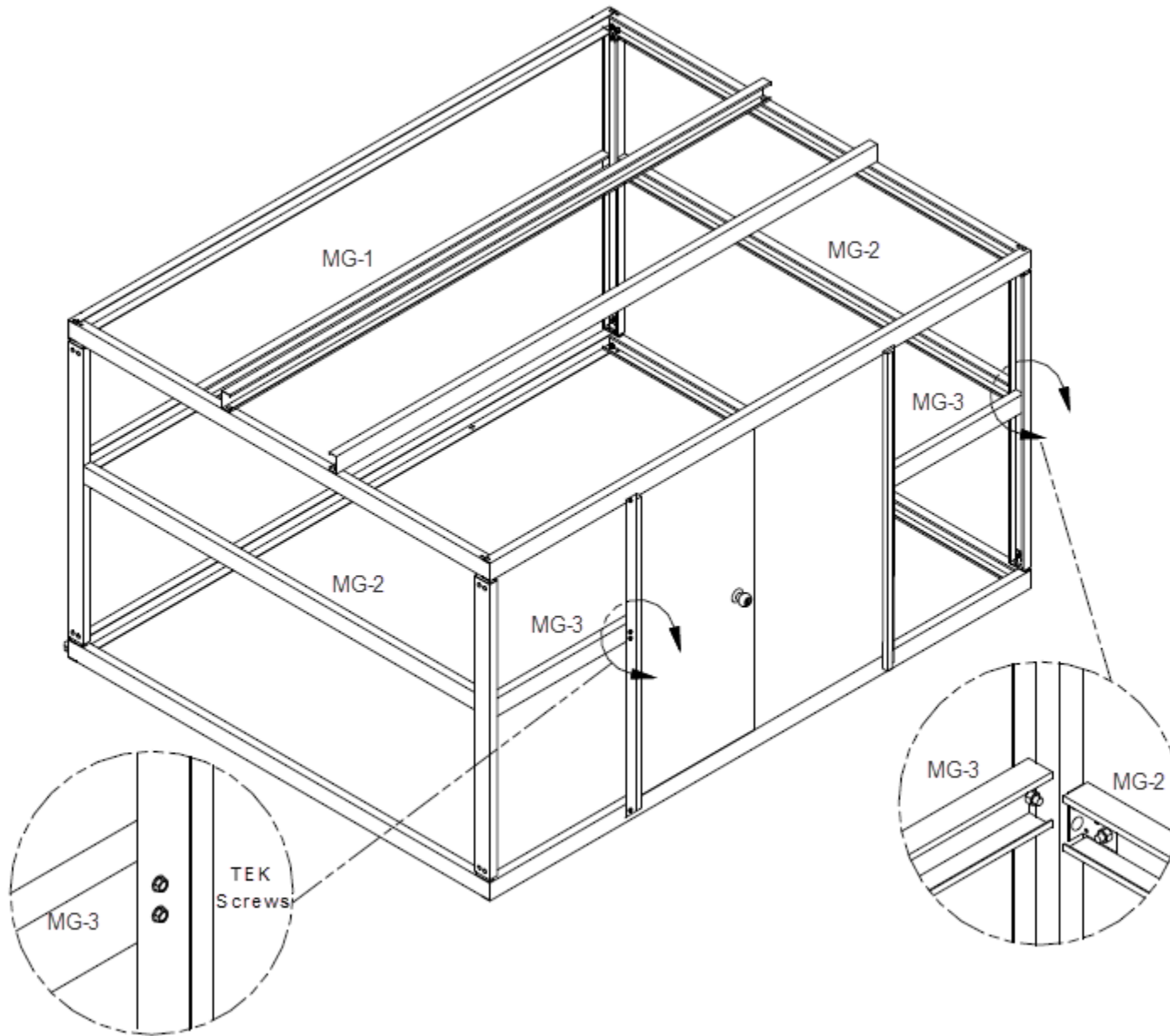
Mid-Girts (Optional – MG-1, MG-2 and MG-3)



Double Door (Optional)



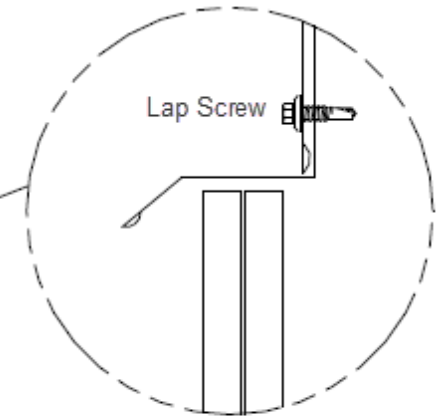
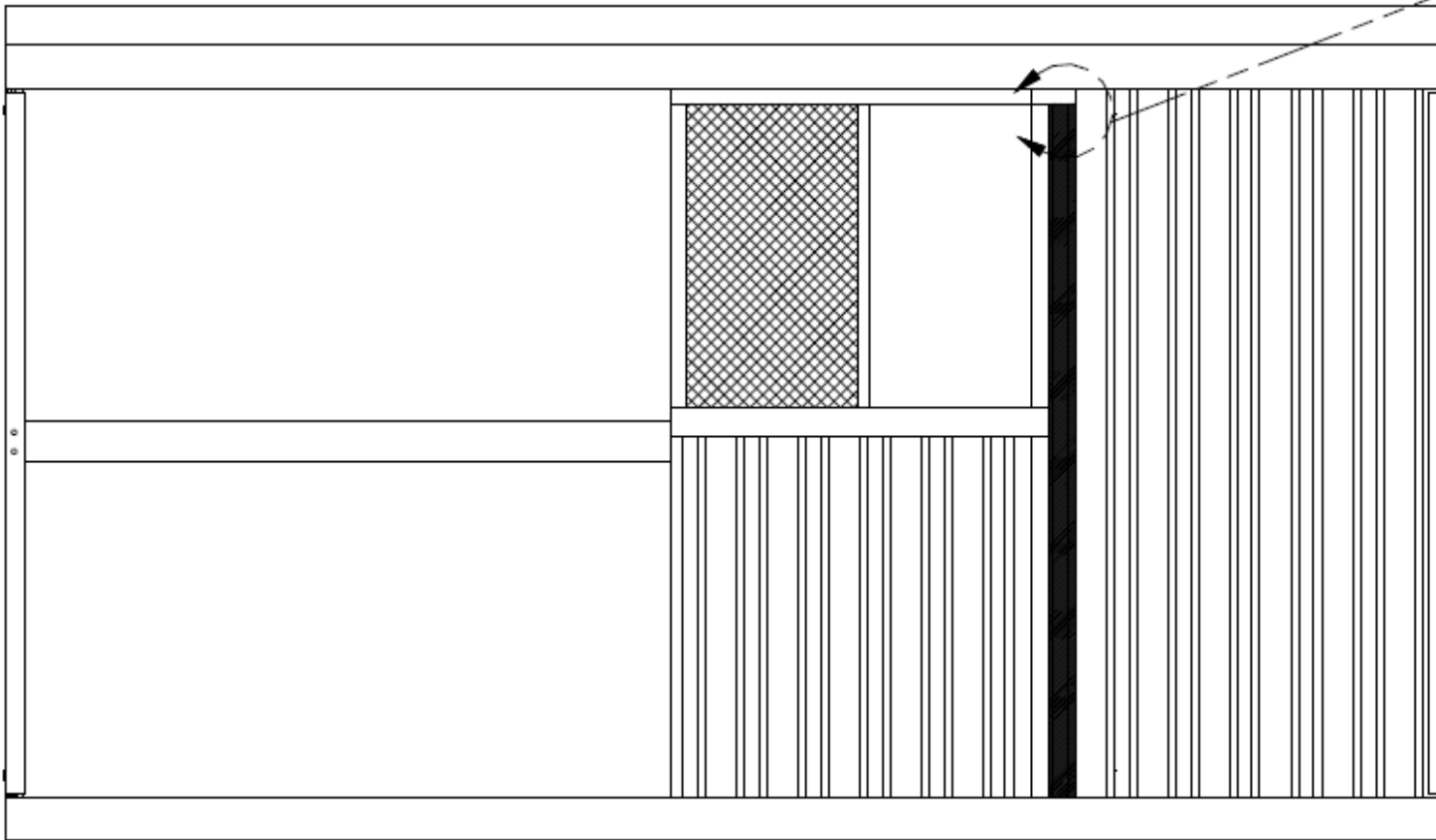
Mid-Girts (Optional – MG-1, MG-2 and MG-3)



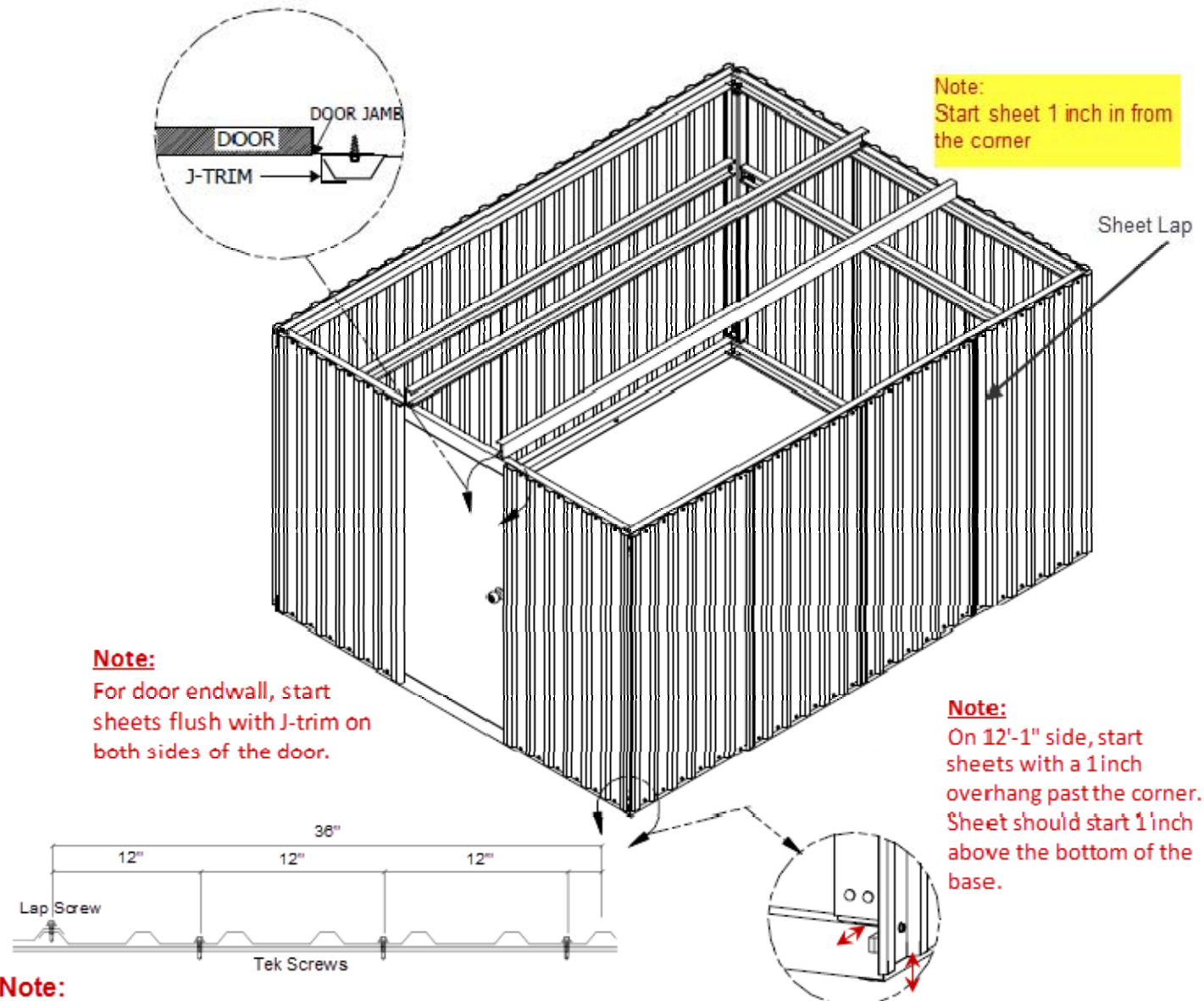
Window (Optional)

Note:

- Install one sheet, insert window and lap flush to sheet. Add drip edge window trim when installing eave trim.
- Sheet below window will need to be field cut for window assembly.
- See installation instructions included with the window packaging.



Sheeting



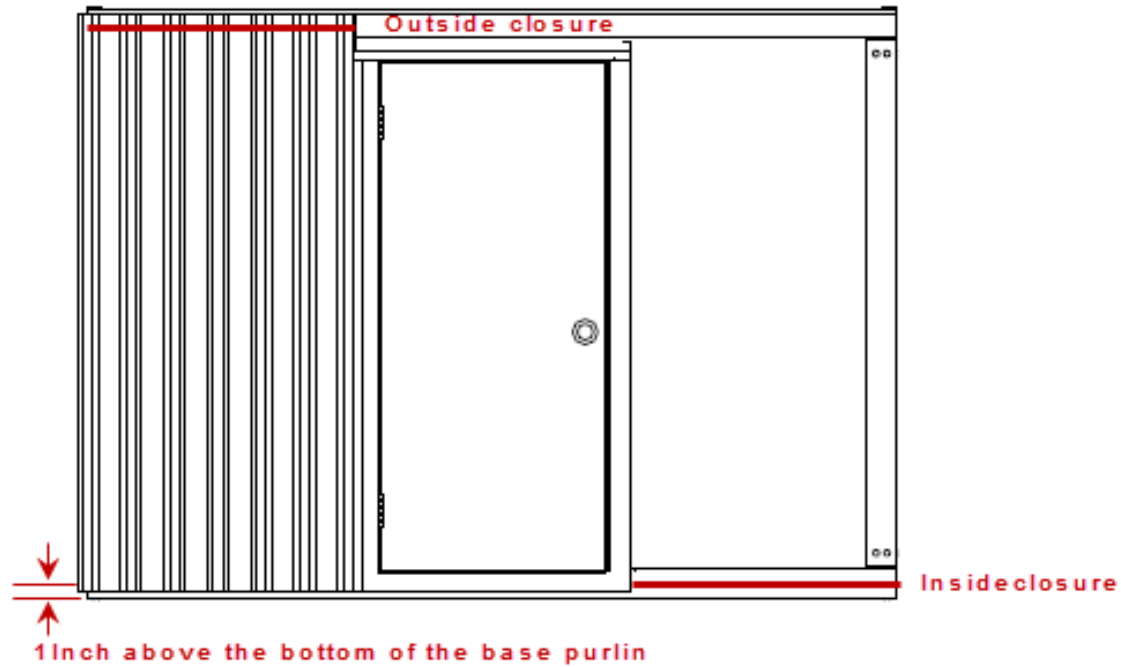
Note:
For door endwall, start sheets flush with J-trim on both sides of the door.

Note:
Start sheet 1 inch in from the corner

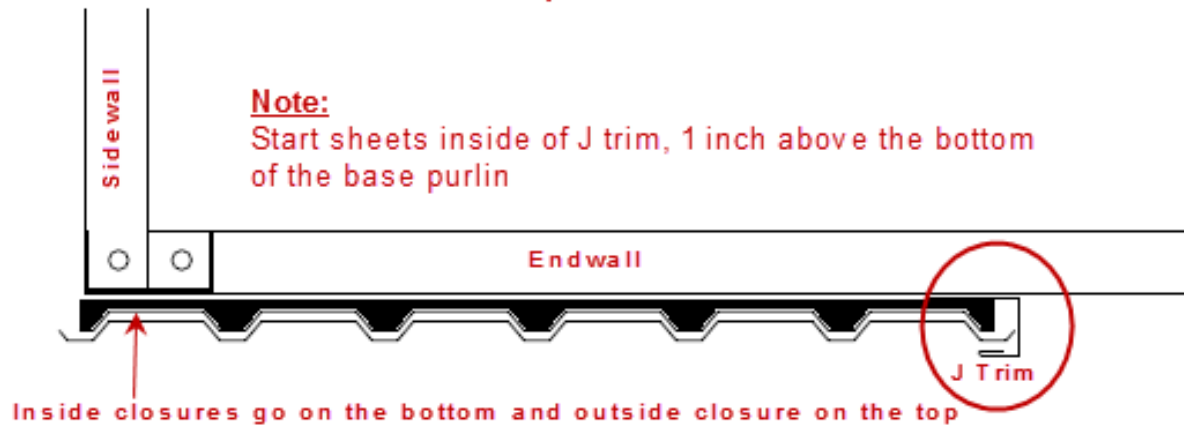
Note:
On 12'-1" side, start sheets with a 1 inch overhang past the corner. Sheet should start 1 inch above the bottom of the base.

Note:
Make sure the frame is plumb and level, and tighten all bolts prior to sheeting. Repeat for each wall.

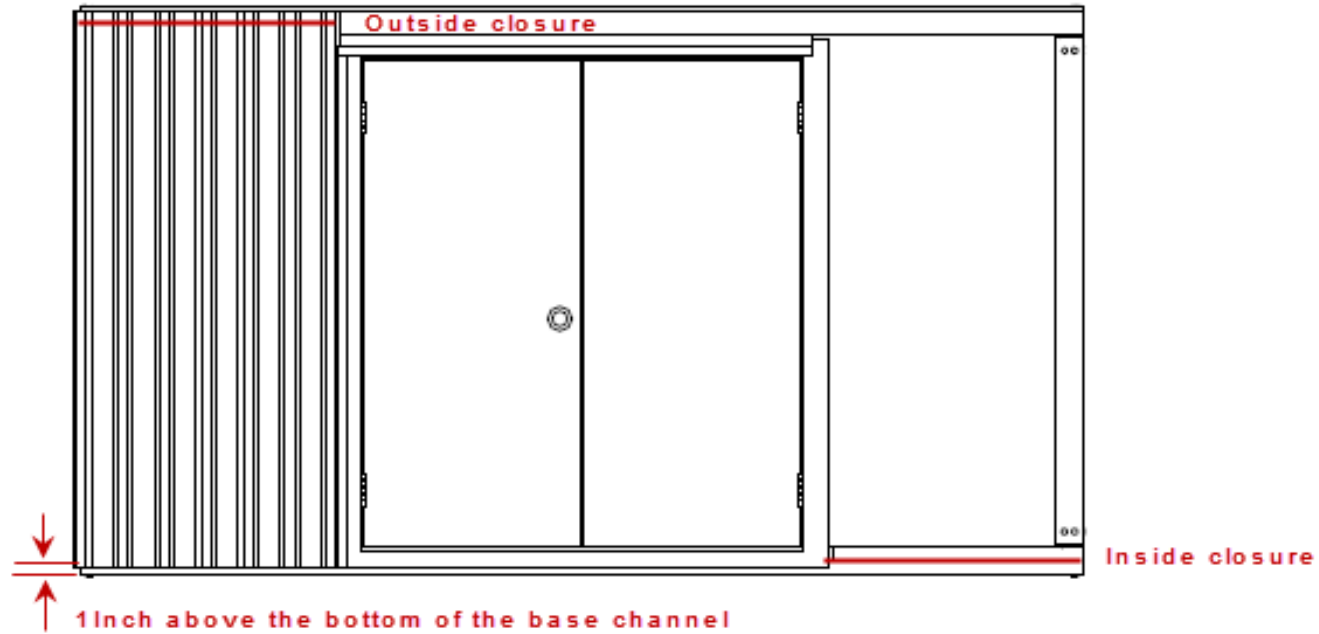
Sheeting Endwall with Single Door (Optional)



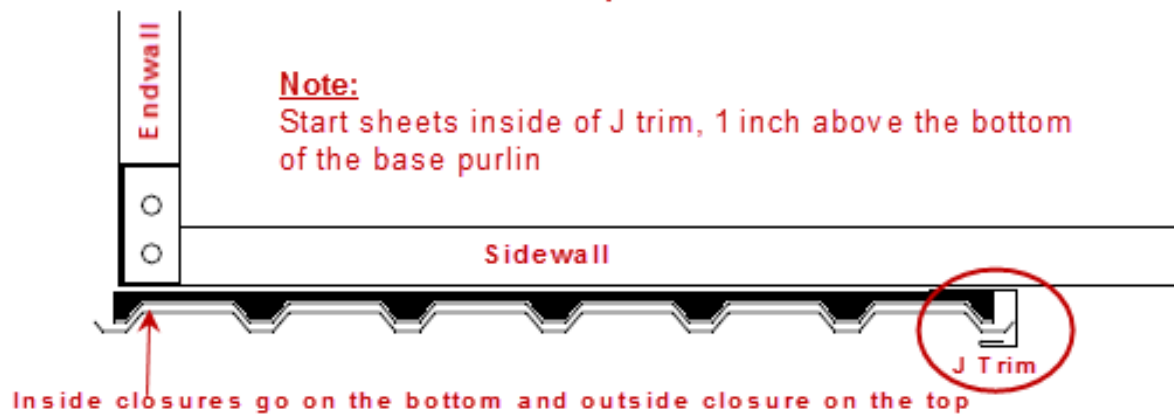
Top View



Sheeting Sidewall with a Double Door (Optional)

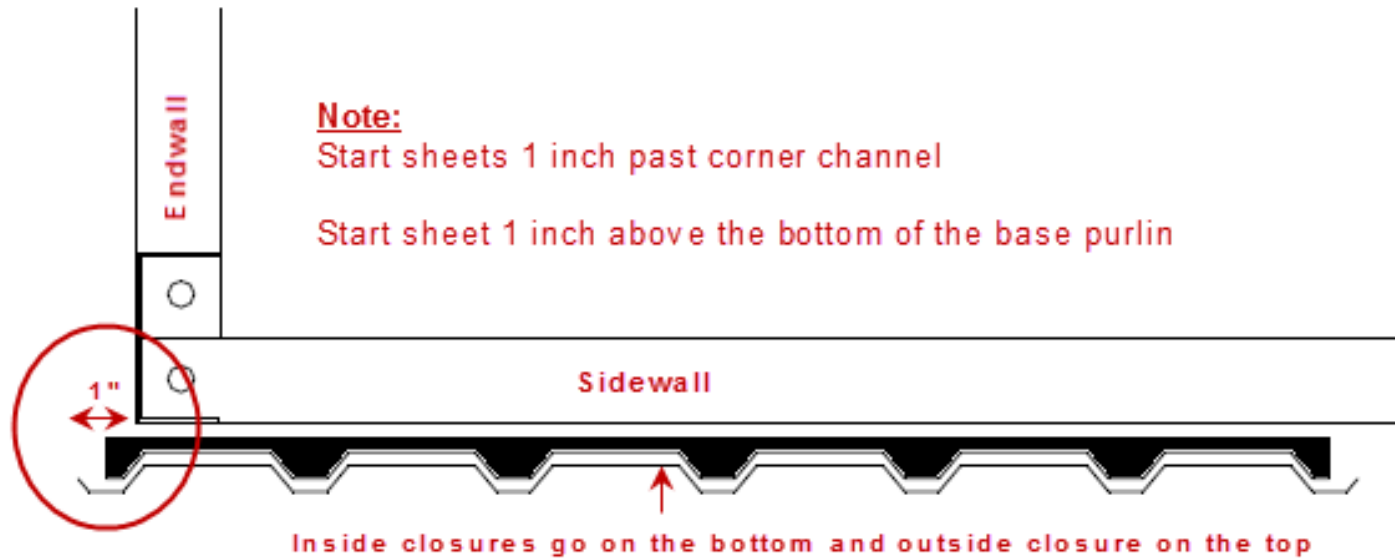


Top View



Sheeting Sidewall without a Door

Top View



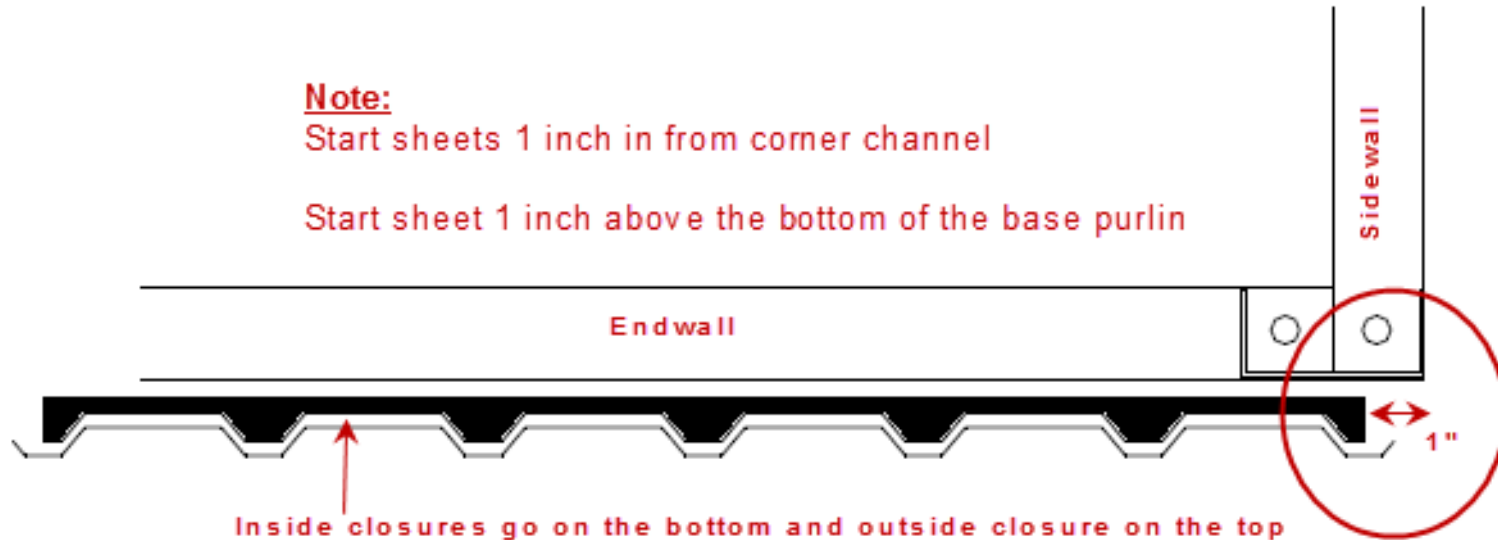
Sheeting Endwall without Door

Top View

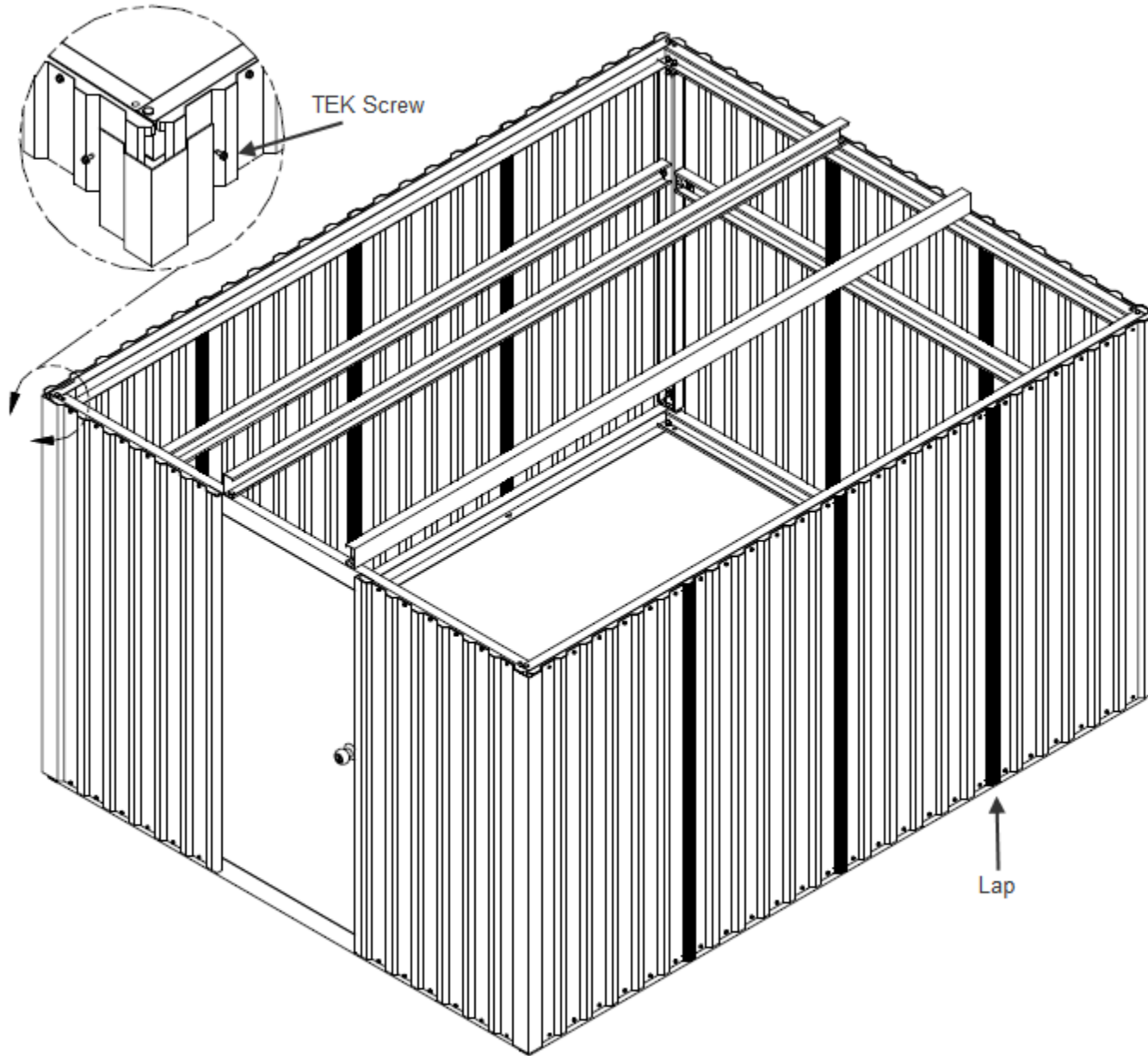
Note:

Start sheets 1 inch in from corner channel

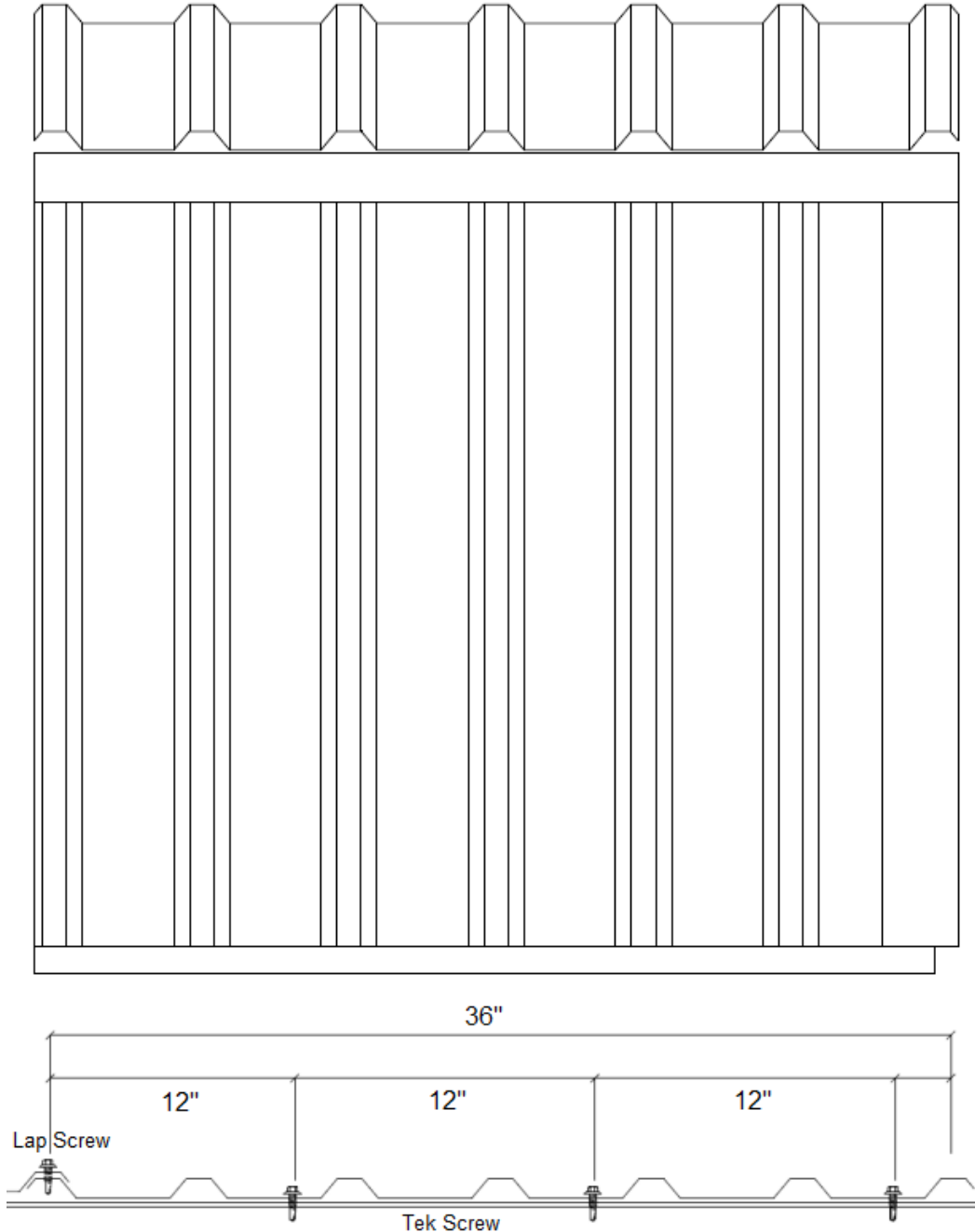
Start sheet 1 inch above the bottom of the base purlin



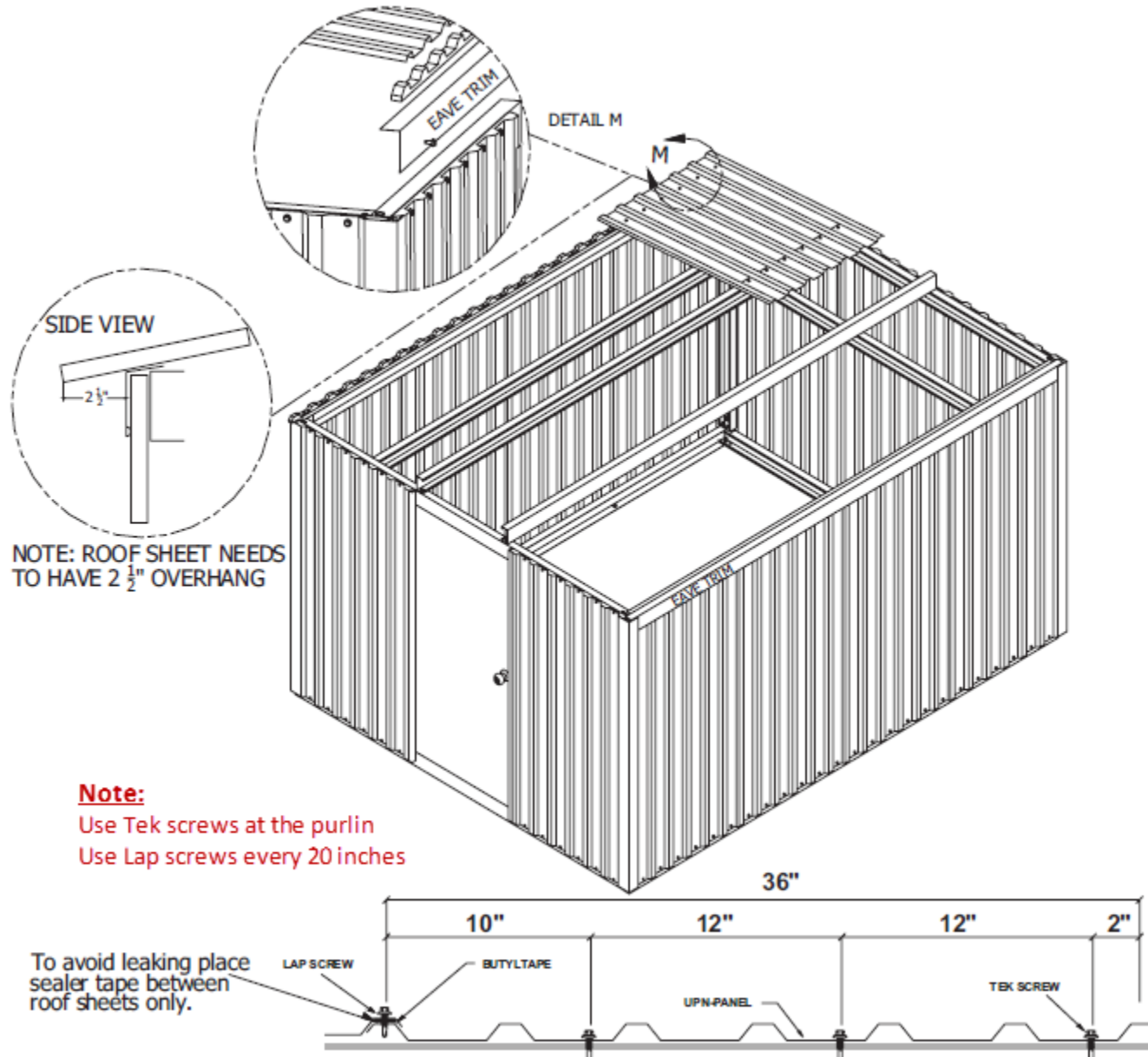
Corner Trim



Roof to Wall Sheet Alignment
Align major ribs from wall to major rib on roof



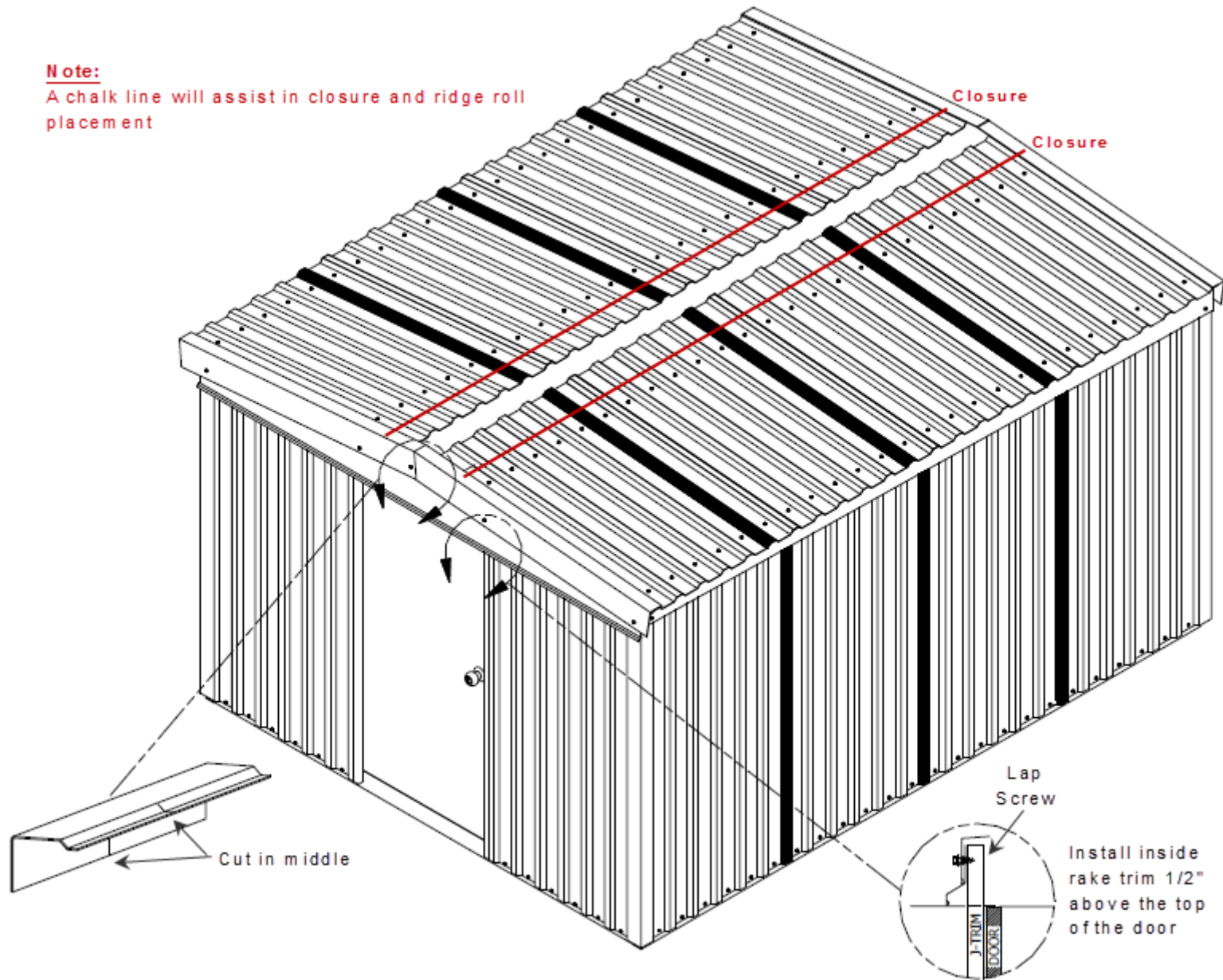
Sheeting the Roof



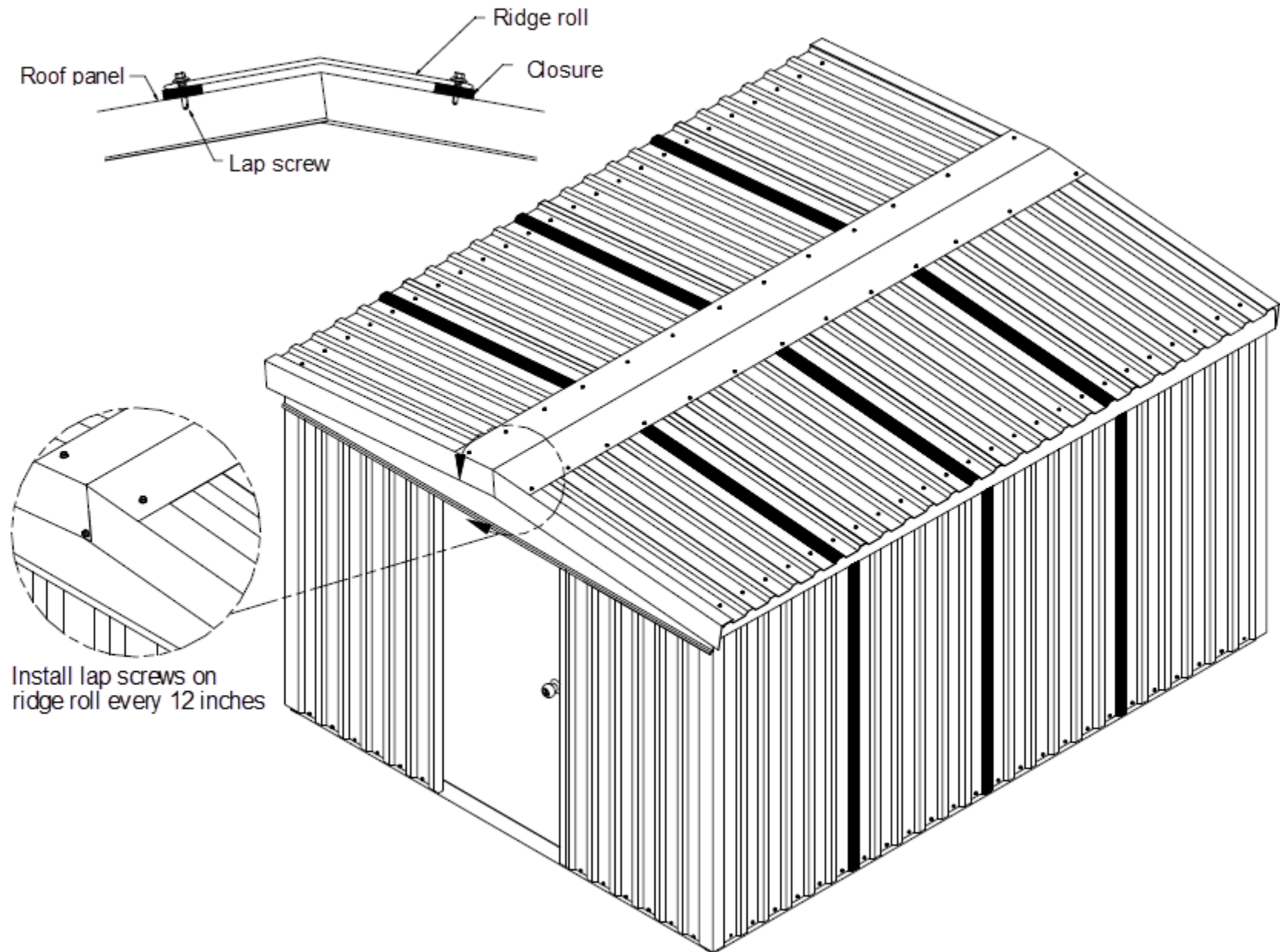
Roofing Trim Details

Note:

A chalk line will assist in closure and ridge roll placement



Skylight Ridge Roll Installation



Total Building Measurements

