



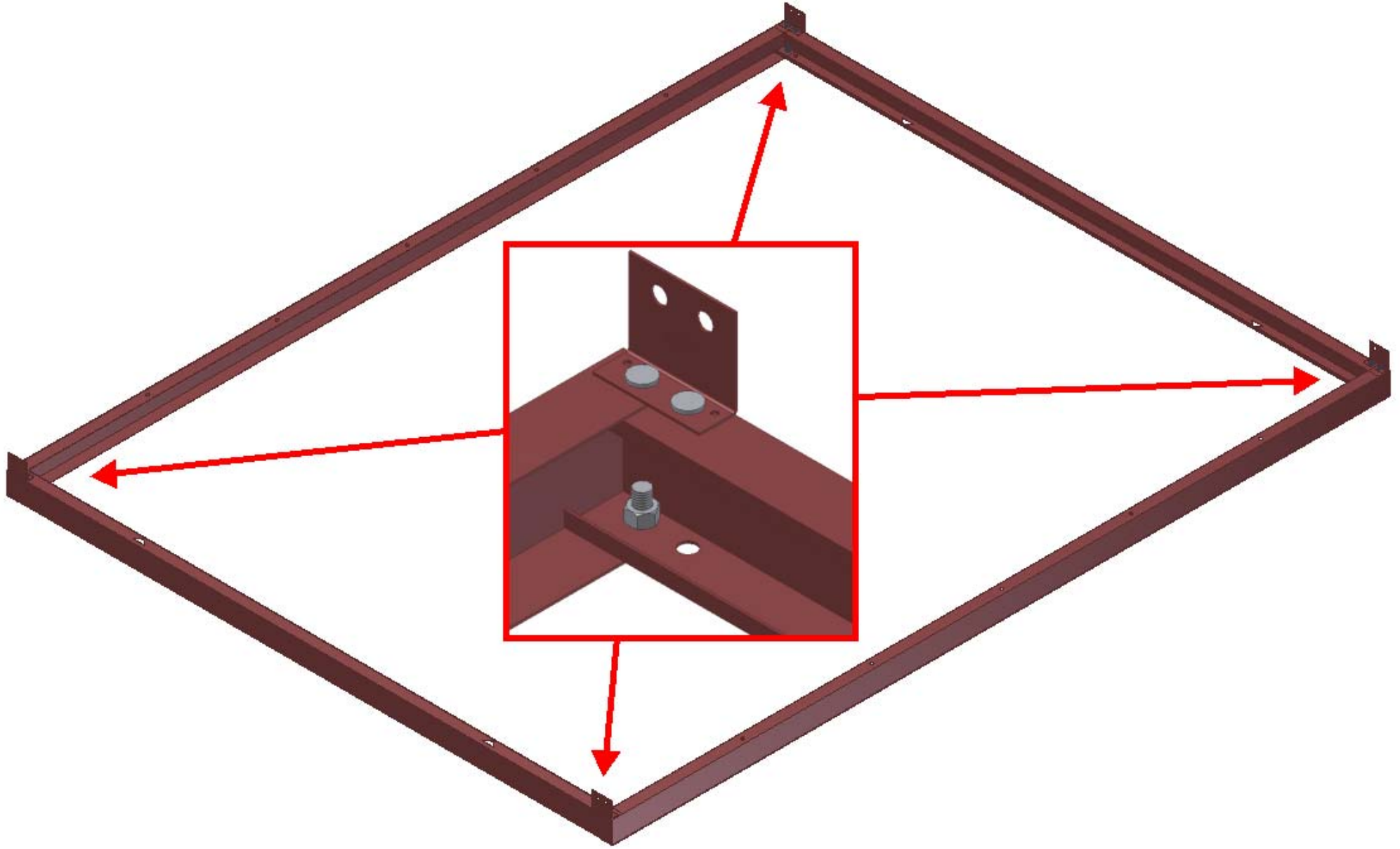
MUELLER, INC.
METAL BUILDINGS, ROOFING & COMPONENTS

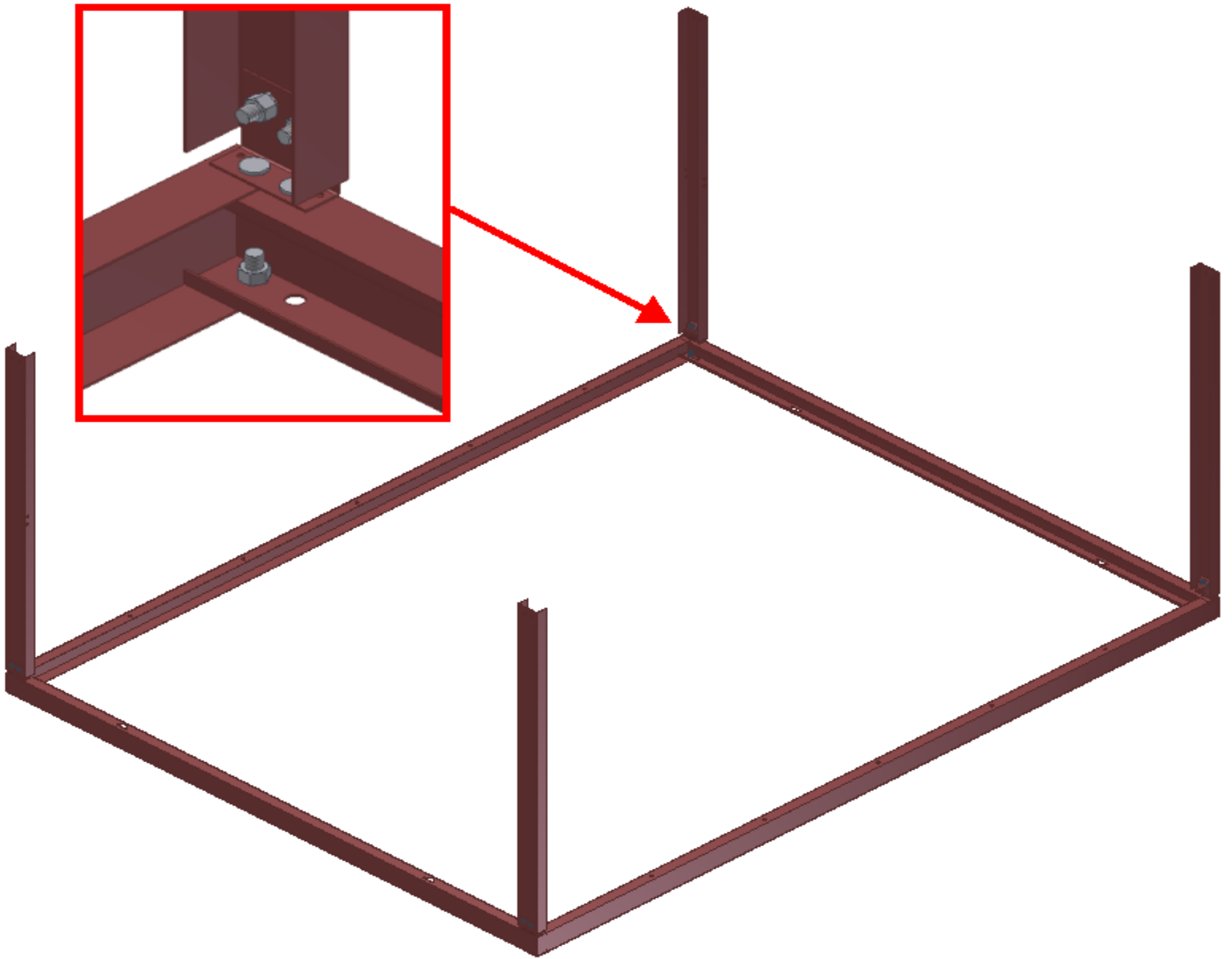
877-2-MUELLER

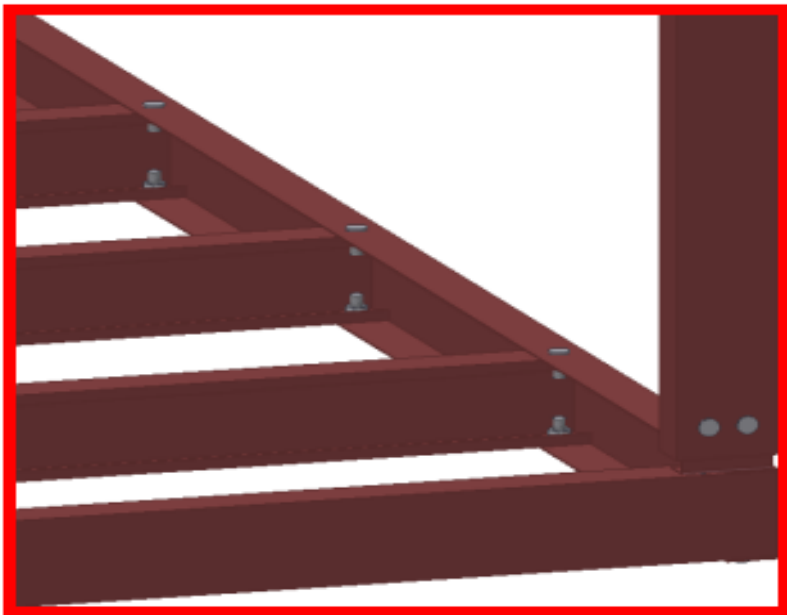
www.MuellerInc.com

9'x12'x7' DIY with 6' Overhang

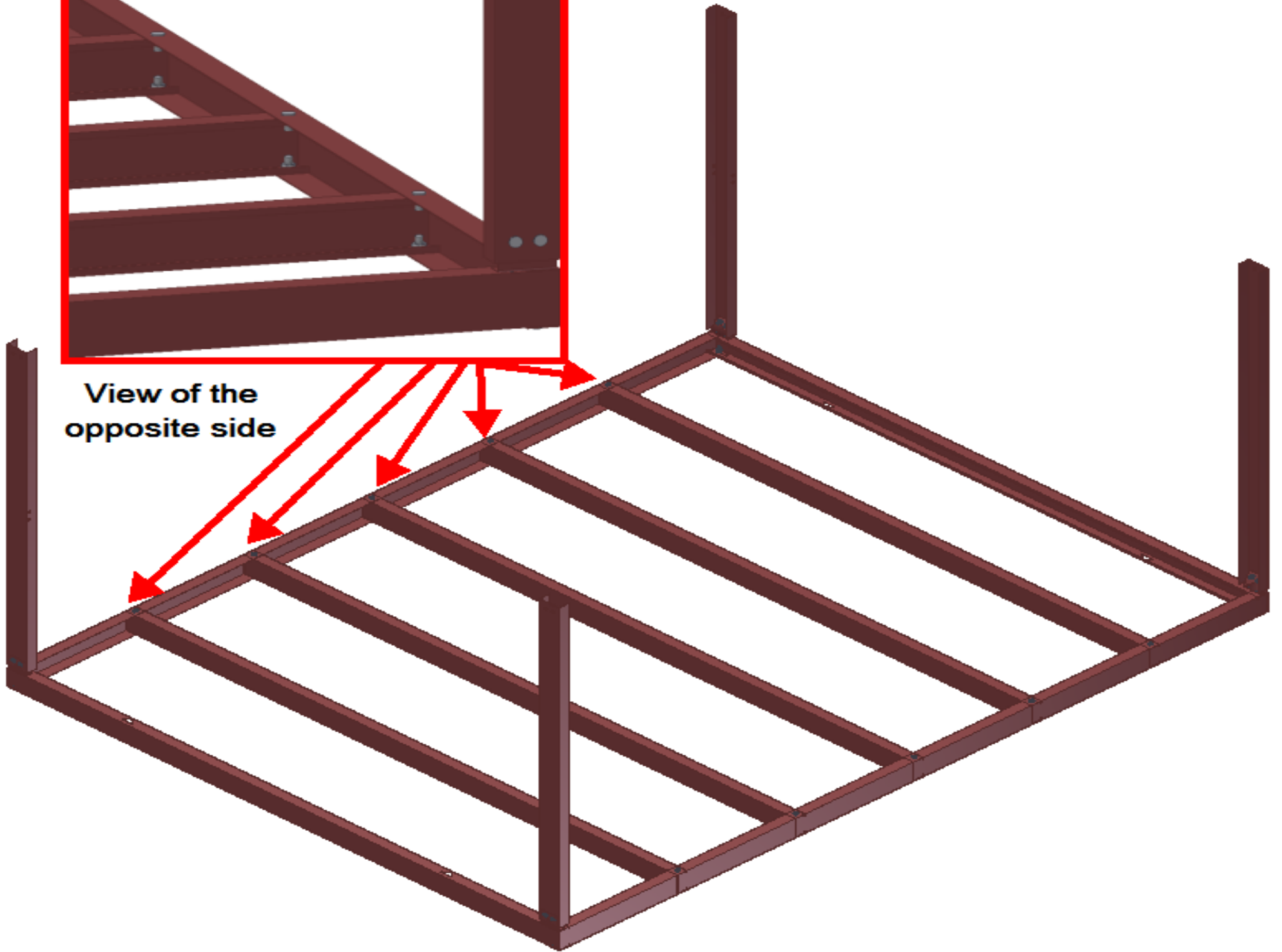
**Mueller DIY buildings do not meet any specific code or engineering criteria.
These buildings are intended to be erected in geographical locations which do
not require engineered loads for buildings.**

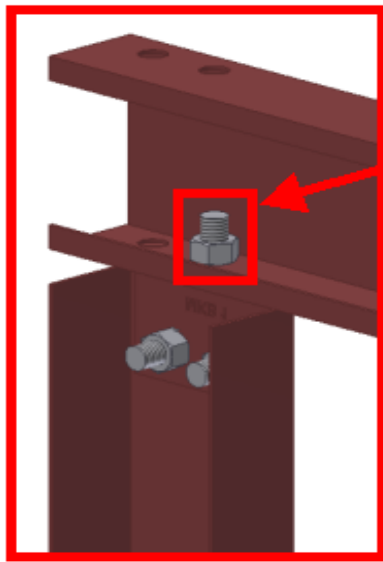




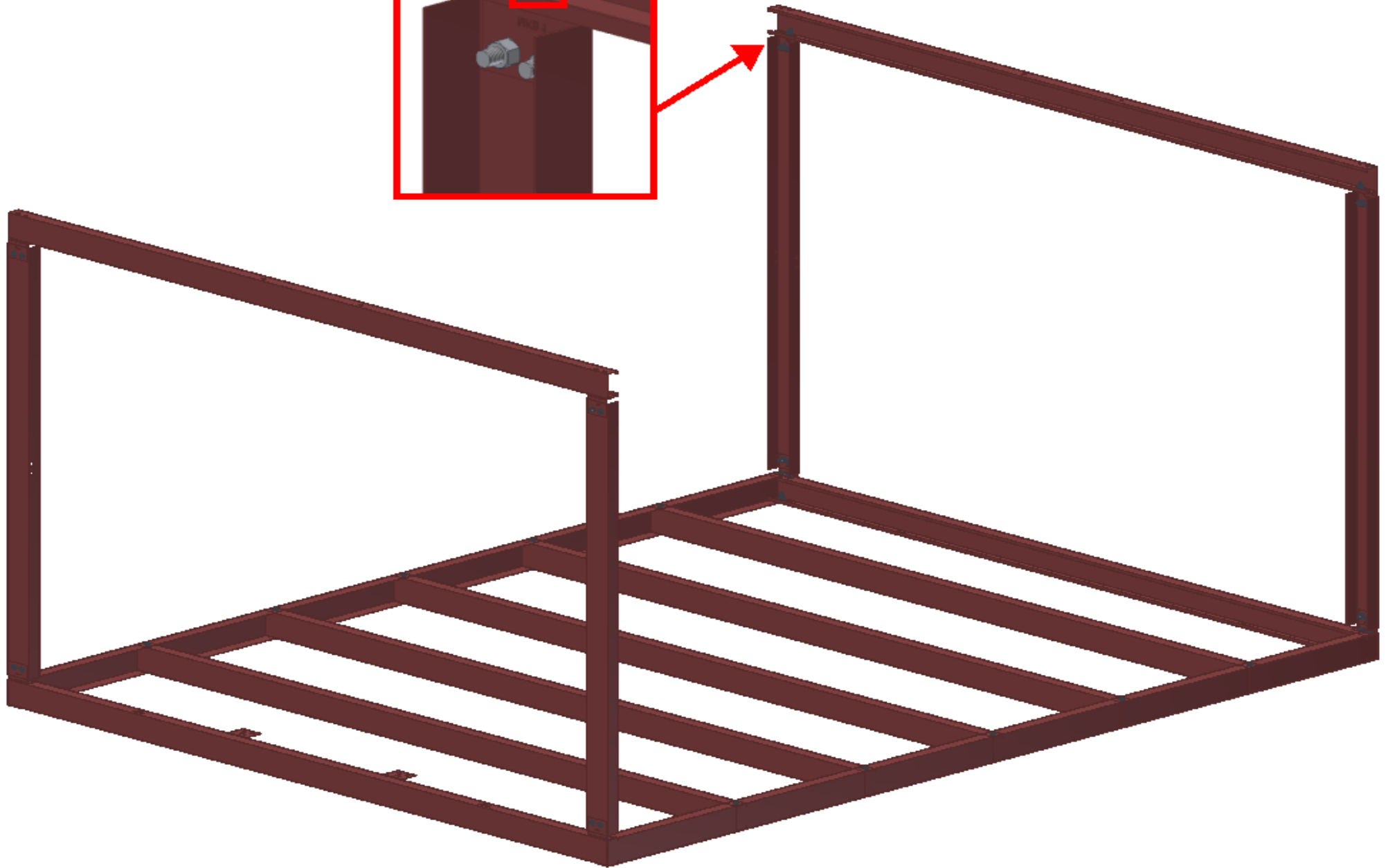


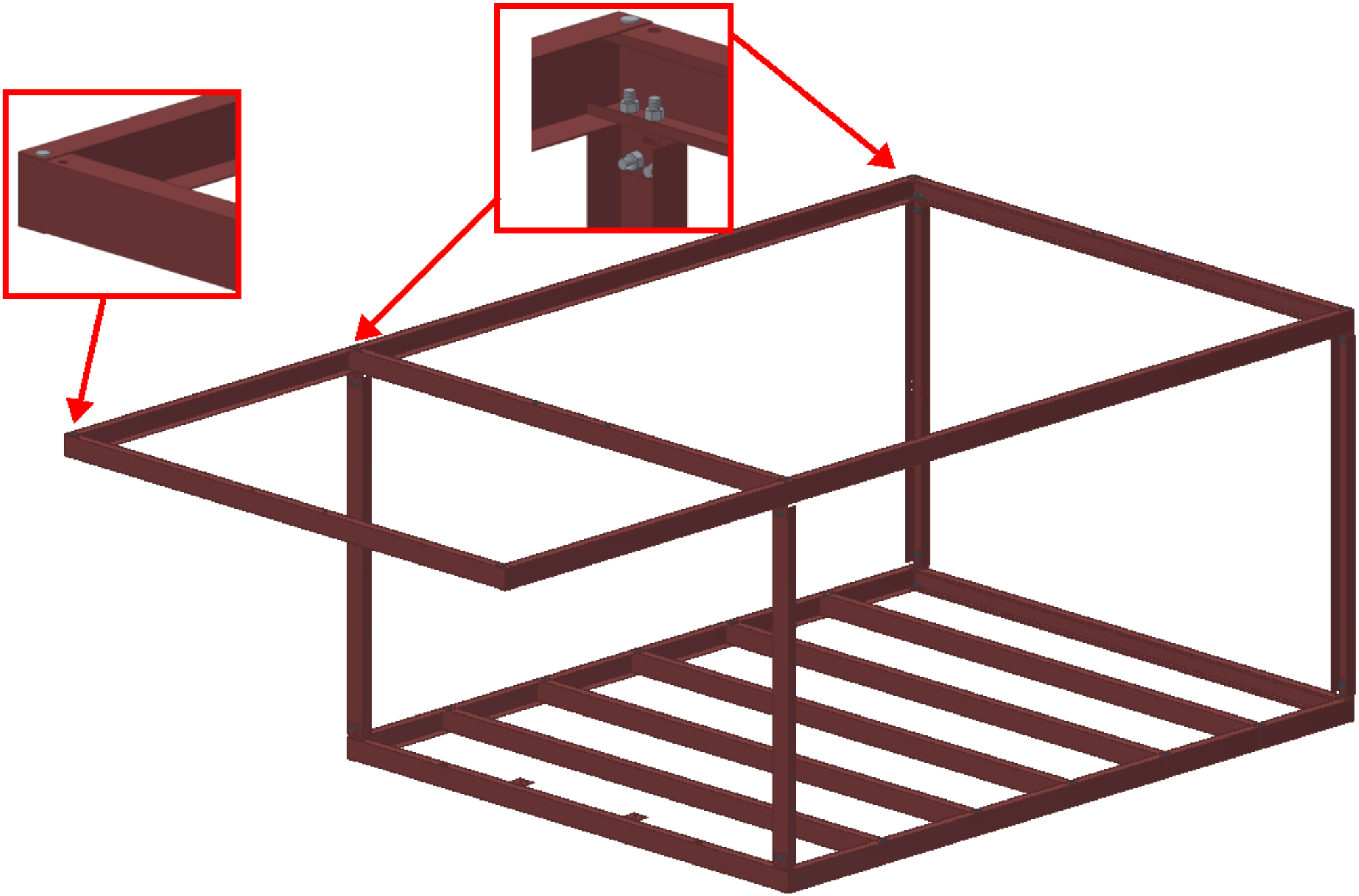
View of the
opposite side

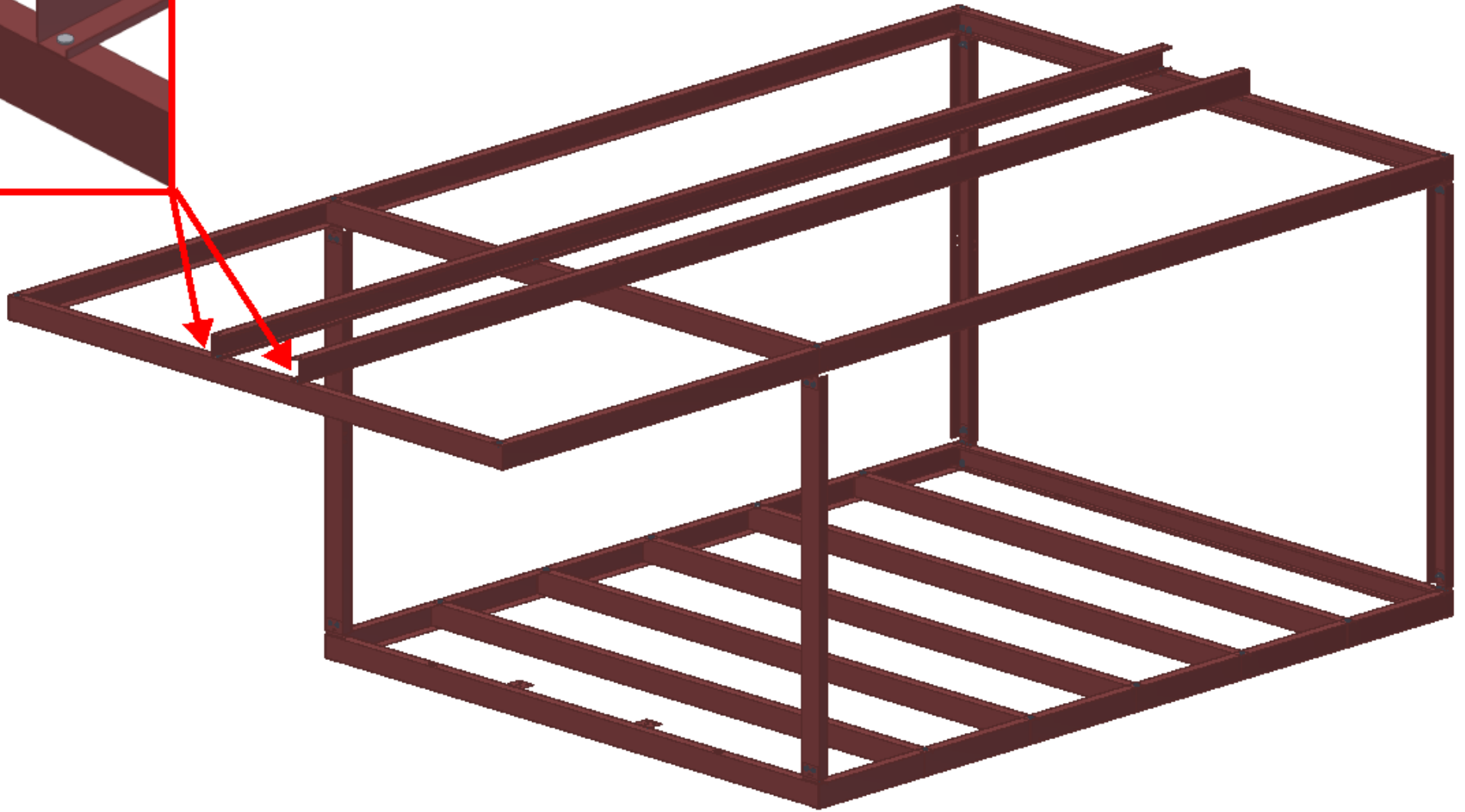
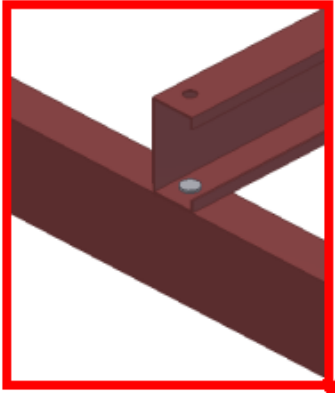


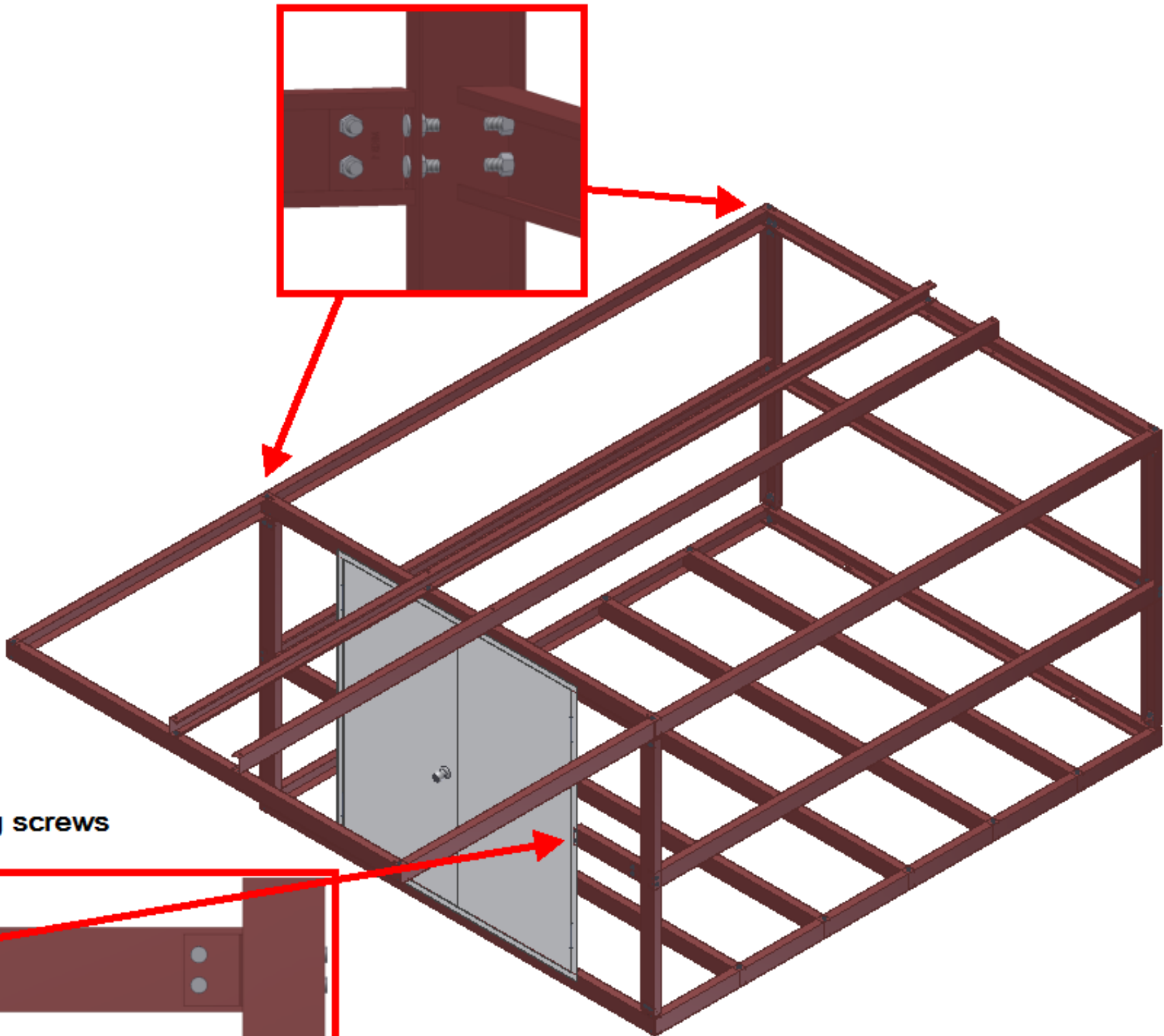


**Do not tighten this bolt until the
Top Channel has been installed**









Self tapping screws





Wood will need to be cut for columns & door

