



877-2-MUELLER (877-268-3883) [www.MuellerInc.com](http://www.MuellerInc.com)

# residential metal roofing trim components



# High-quality metal roofing with all the trimmings.

Mueller is pleased to present our high-quality trim components for residential metal roofing.

As you'll see, we offer a wide variety of trim components – from roof rake trim to eave trim, from downspouts to flashing – to give every Mueller metal roof a clean, customized look.

At Mueller, we're known for delivering the finest metal roofing products in the industry, as well as the best service. If we can help you in any way, just give us a call. You can also go online to [www.MuellerInc.com](http://www.MuellerInc.com) for a gallery of photos, full product information, installation manuals, and directions to each of our branches.

Thanks again for choosing Mueller. We look forward to serving you for years to come!

**Call**  
**877-2-Mueller**  
(877-268-3553)

This toll-free number connects you to the branch nearest you. We have more than 20 locations across the Southwest.

**Click**  
**[www.MuellerInc.com](http://www.MuellerInc.com)**

Our website offers photos and full product information.

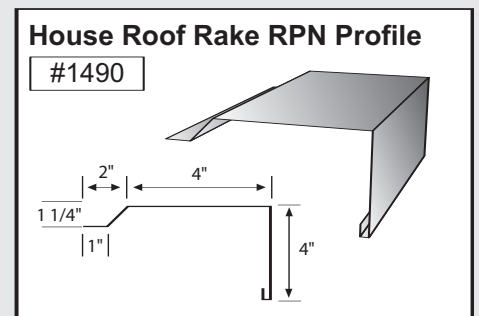
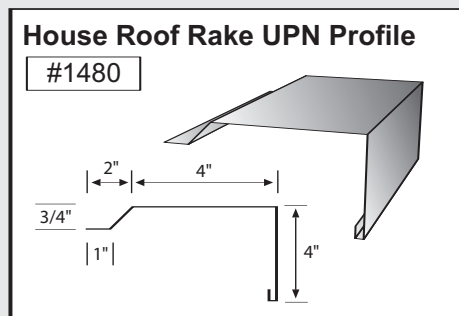
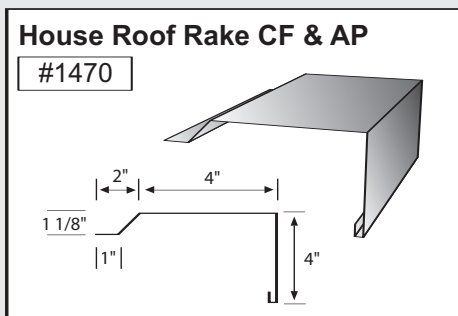
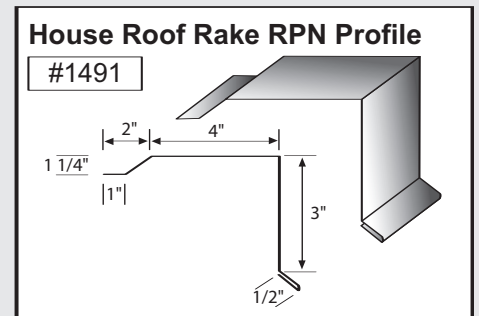
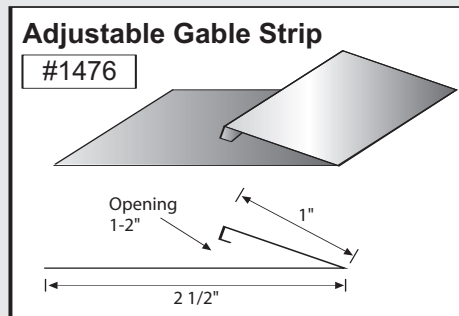
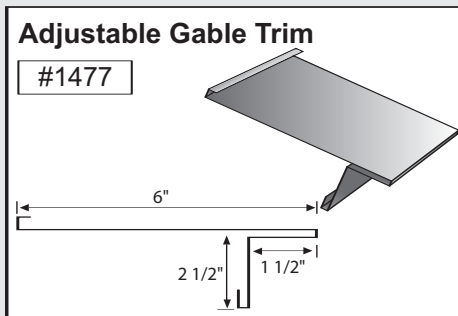
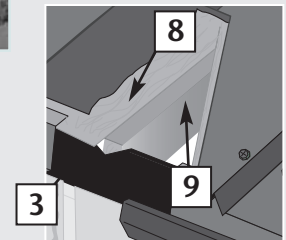
**Come By**

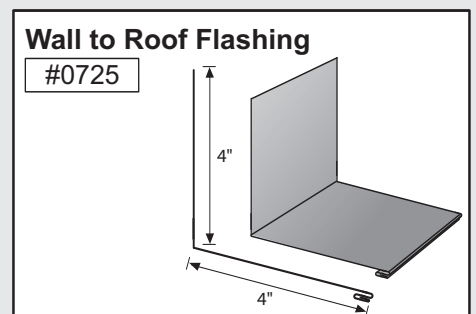
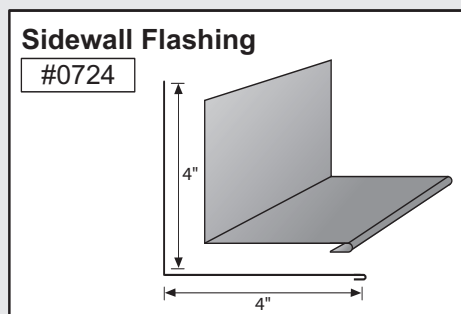
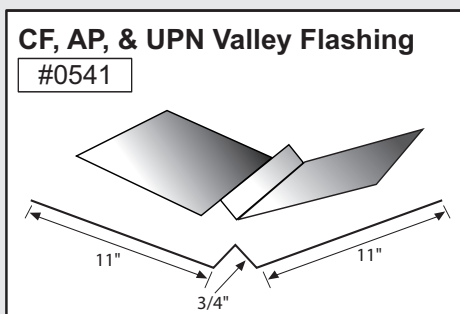
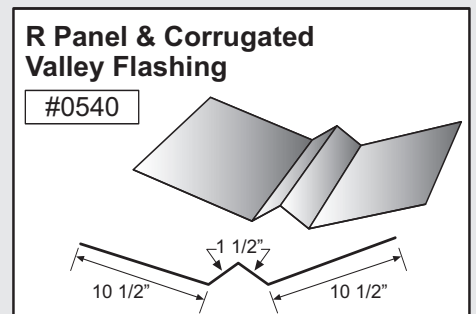
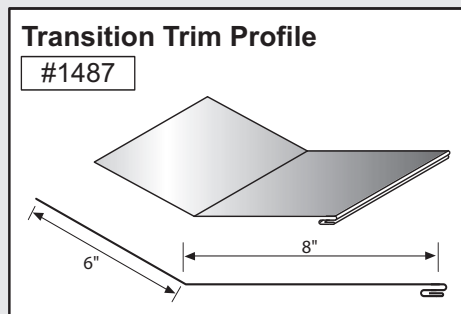
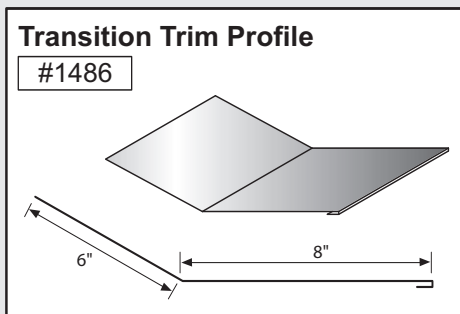
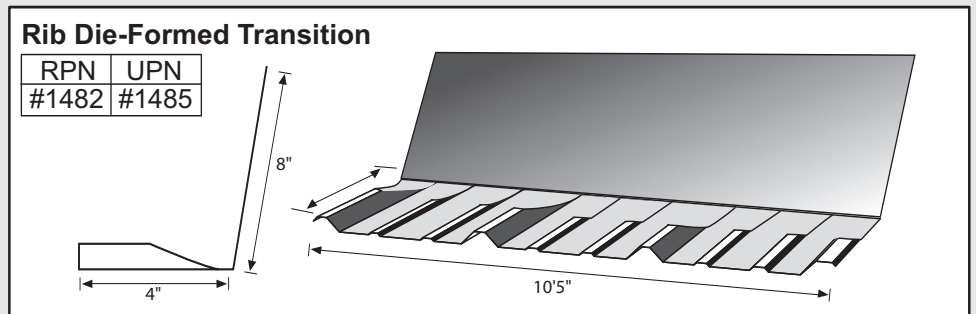
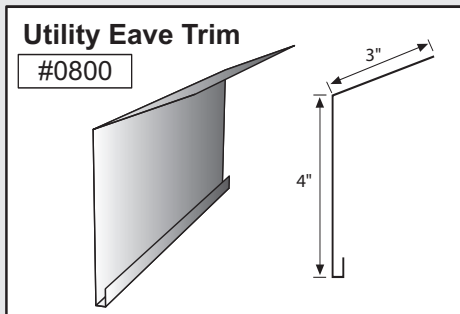
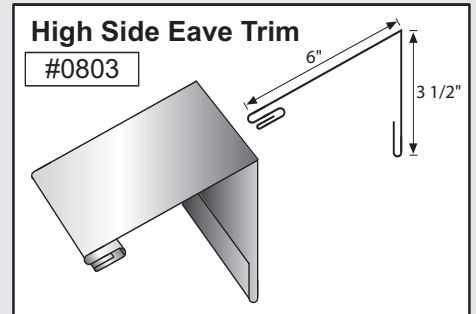
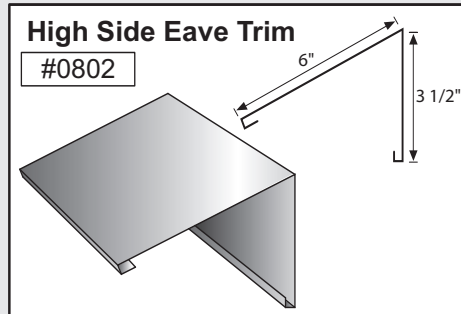
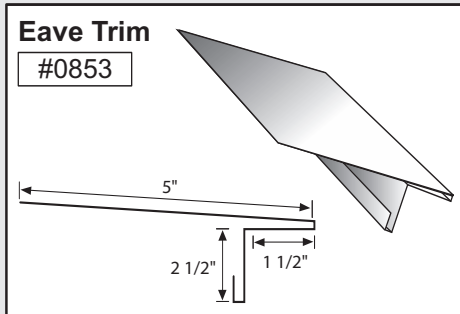
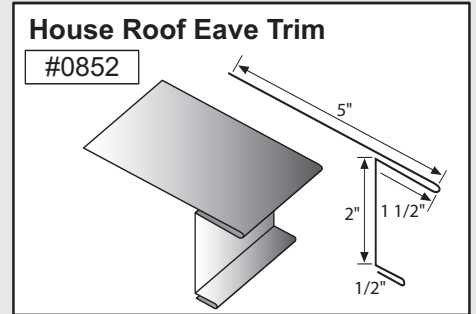
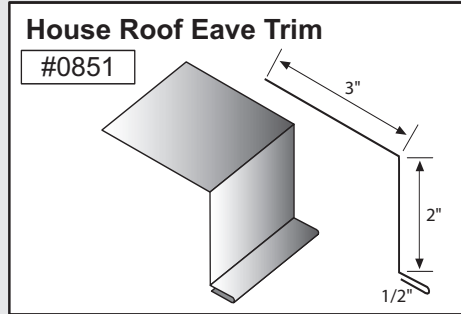
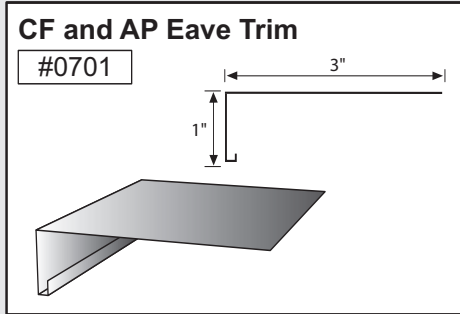
Our branches are staffed with experts who are always happy to answer any questions you may have.

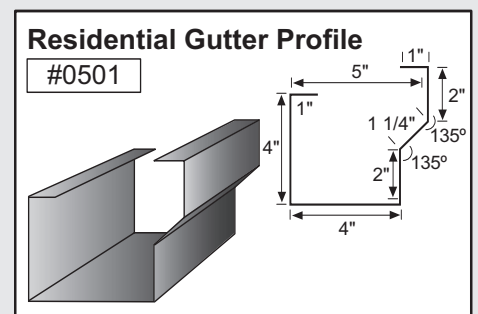
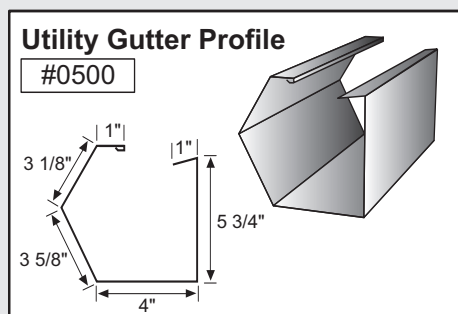
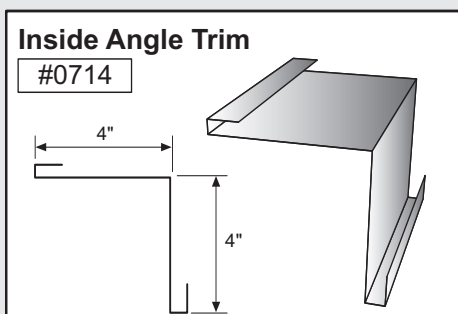
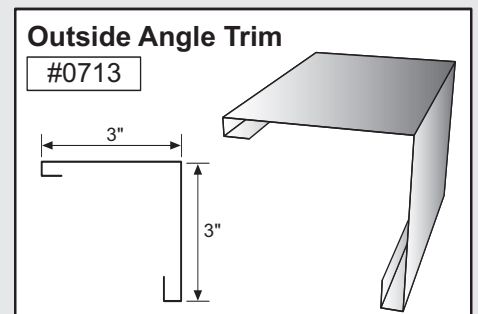
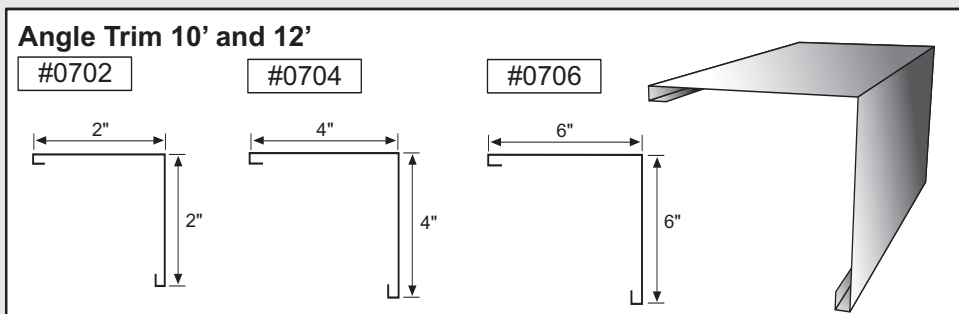
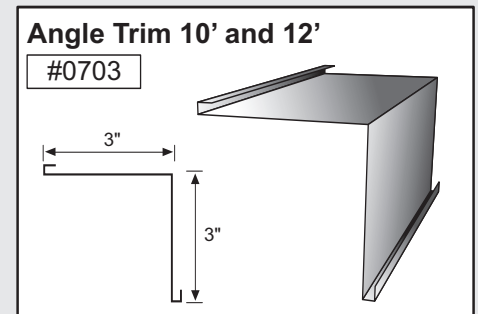
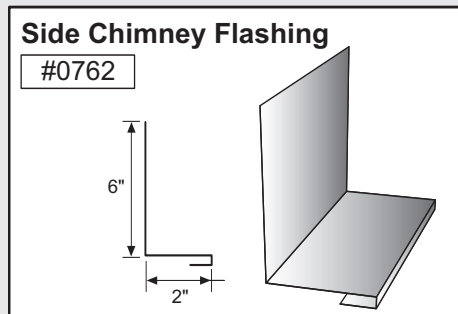
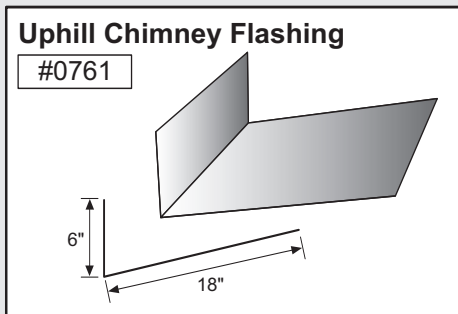
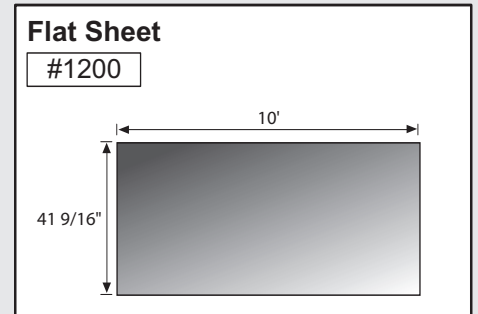
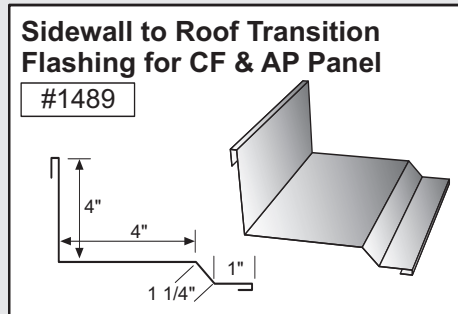
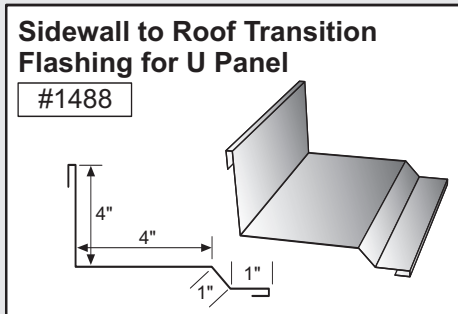
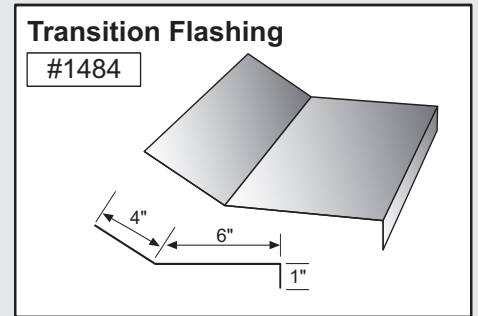
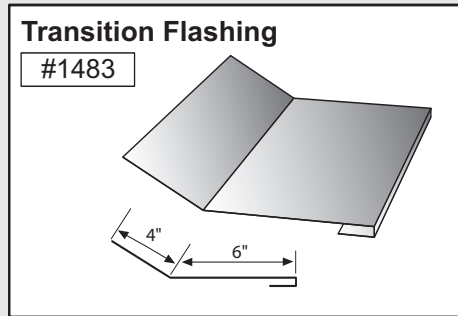
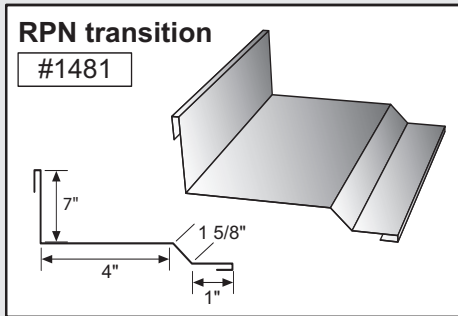


- Ridge Roll or Peak Sheet — **1**
- House Roof Rake Trim — **2**
- Gutter or Eave Trim — **3**
- Downspout — **4**
- Wall to Roof Transition — **5**
- Valley Flashing — **6**
- Metal Closures (Field Cut) — **7**
- Underlayment — **8**
- Decking — **9**
- Transition Trim — **10**

For best results, remove the protective plastic covering from trim components before installation. Please note that exposure to sunlight can make the plastic difficult to remove.



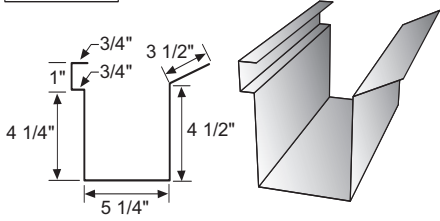




# 6 residential trim components

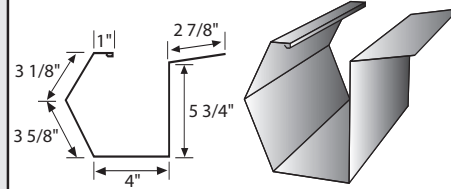
**Sculptured Gutter**

#0510



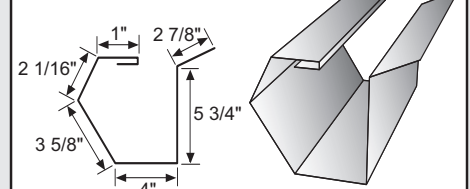
**Sculptured Gutter**

#0520



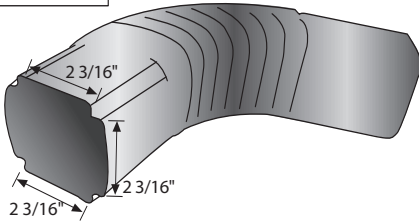
**Sculptured Gutter**

#0523



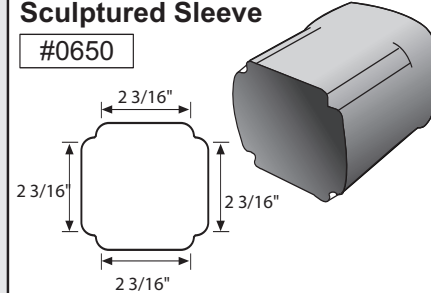
**Sculptured Elbow**

#0640



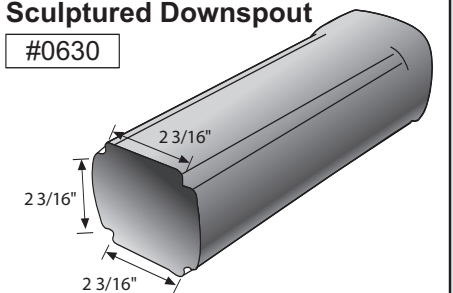
**Sculptured Sleeve**

#0650



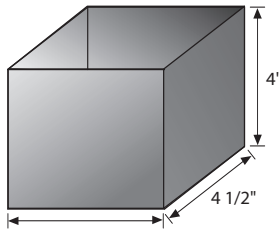
**Sculptured Downspout**

#0630



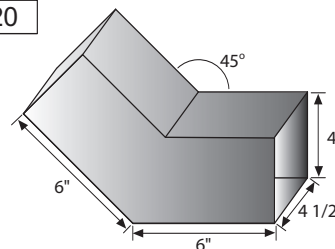
**Downspout Profile**

#0610



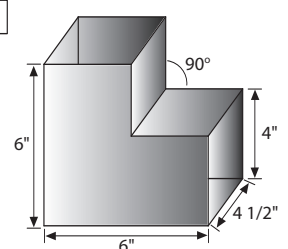
**Downspout Kickout 45°**

#0620



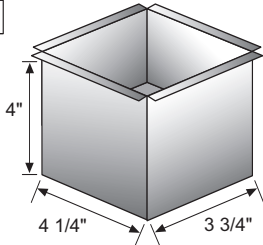
**Downspout Kickout 90°**

#0621



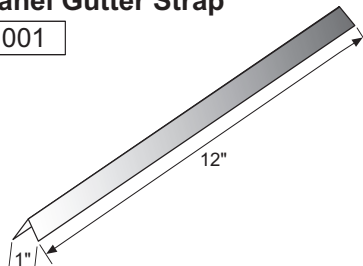
**Downspout Sleeve**

#0622



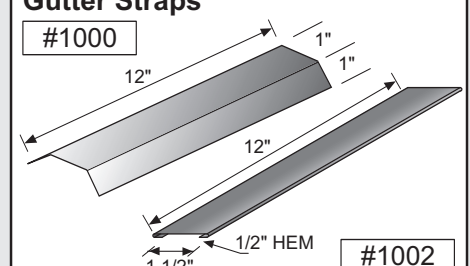
**A Panel Gutter Strap**

#1001



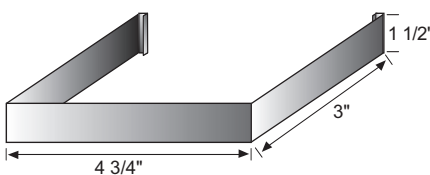
**Gutter Straps**

#1000



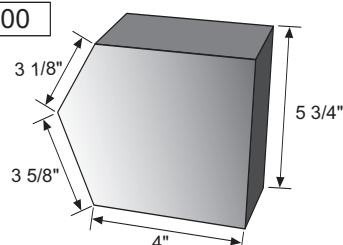
**Downspout Strap Profile**

#1010



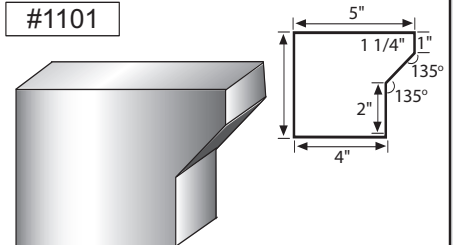
**Gutter Endcap for 0500 & 0520**

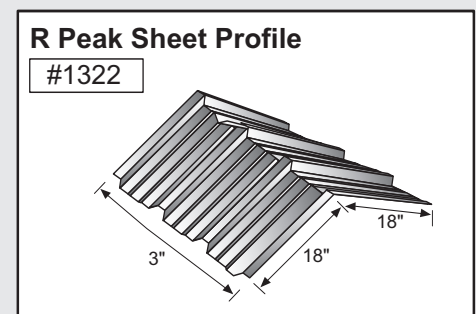
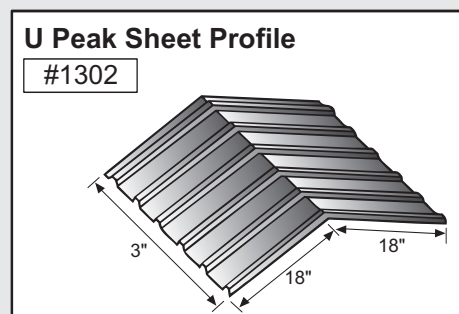
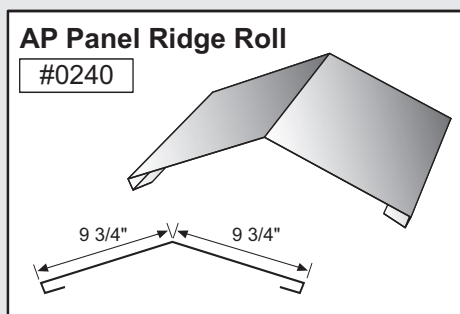
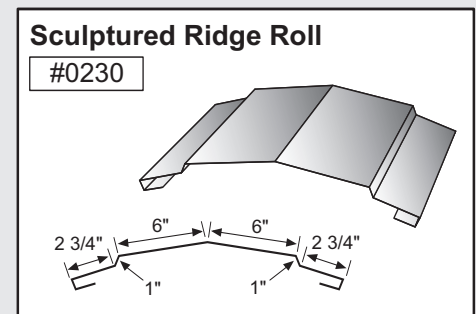
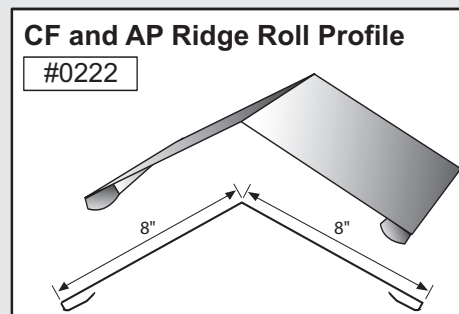
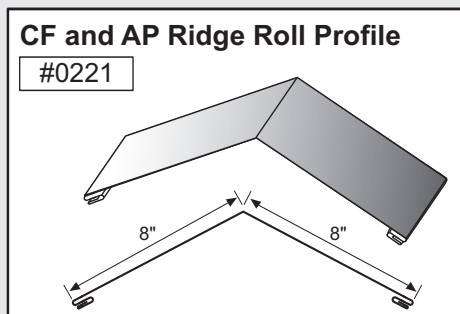
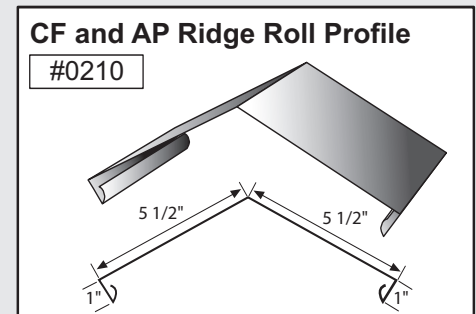
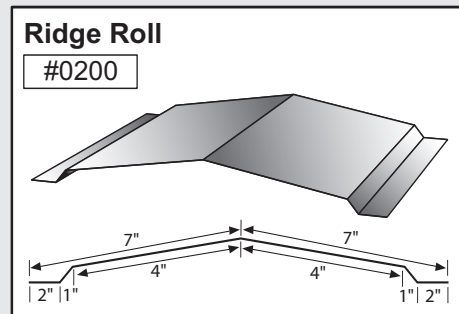
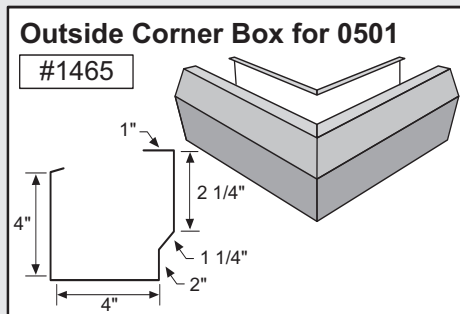
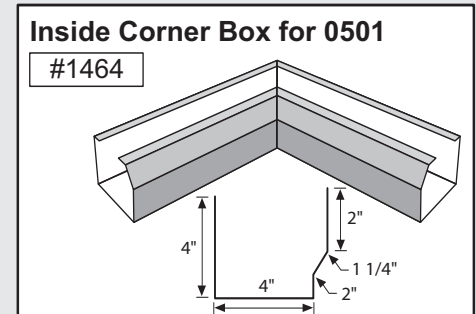
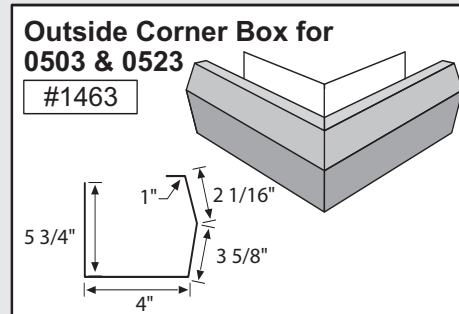
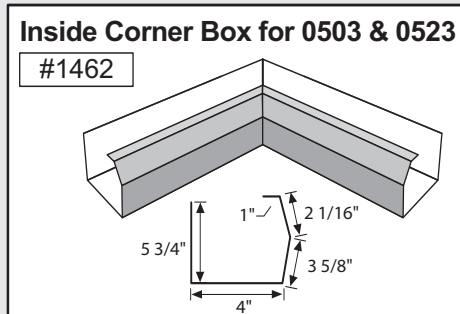
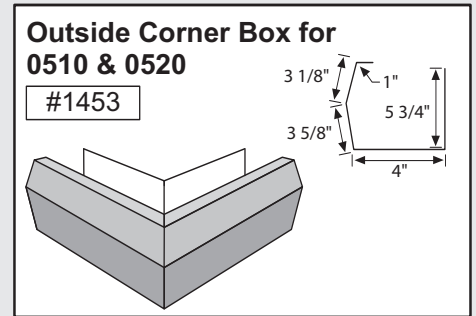
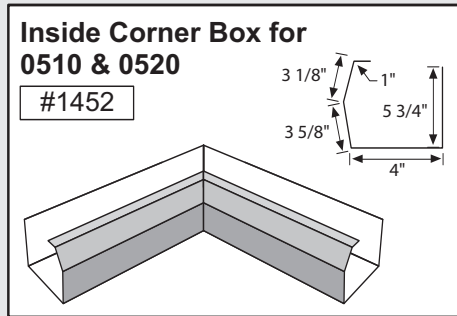
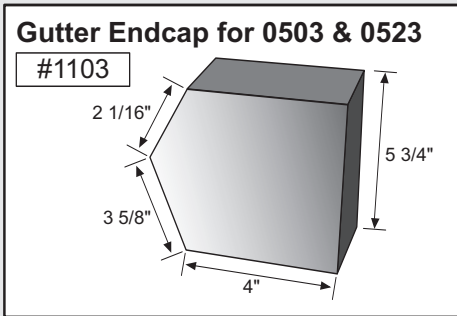
#1100



**Gutter Endcap Profile for 0501**

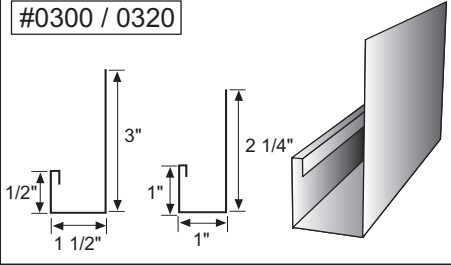
#1101





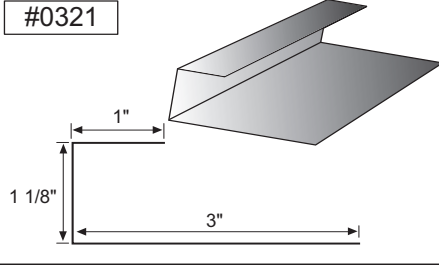
**Door Head Trim**

#0300 / 0320



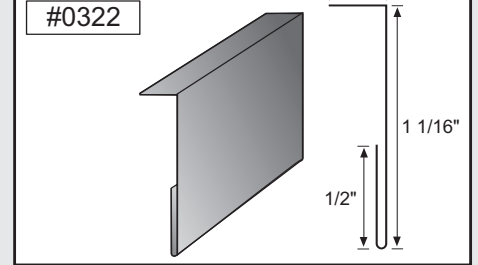
**J Closure - Field Cut**

#0321



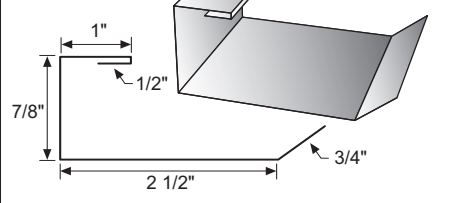
**Angle Closure**

#0322



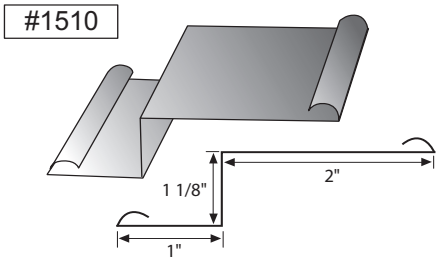
**Corrugated Adjustable Gable Strip**

#0323



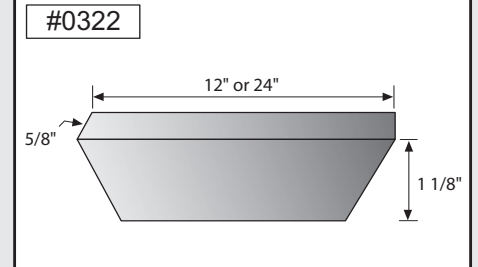
**Z Closure Profile - CF and AP**

#1510



**AP Metal Closure 12" or 24"**

#0322



**CF Metal Closure 12" or 24"**

#0624

