



877-2-MUELLER (877-268-3883) [www.MuellerInc.com](http://www.MuellerInc.com)

# steel building trim components



# Rugged steel buildings and responsive service. That's Mueller.

**Call**  
**877-2-Mueller**  
(877-268-3553)

This toll-free number connects you to the branch nearest you. We have more than 20 locations across the Southwest.

**Click**  
**www.MuellerInc.com**

Our website offers photos and full product information.

**Come By**

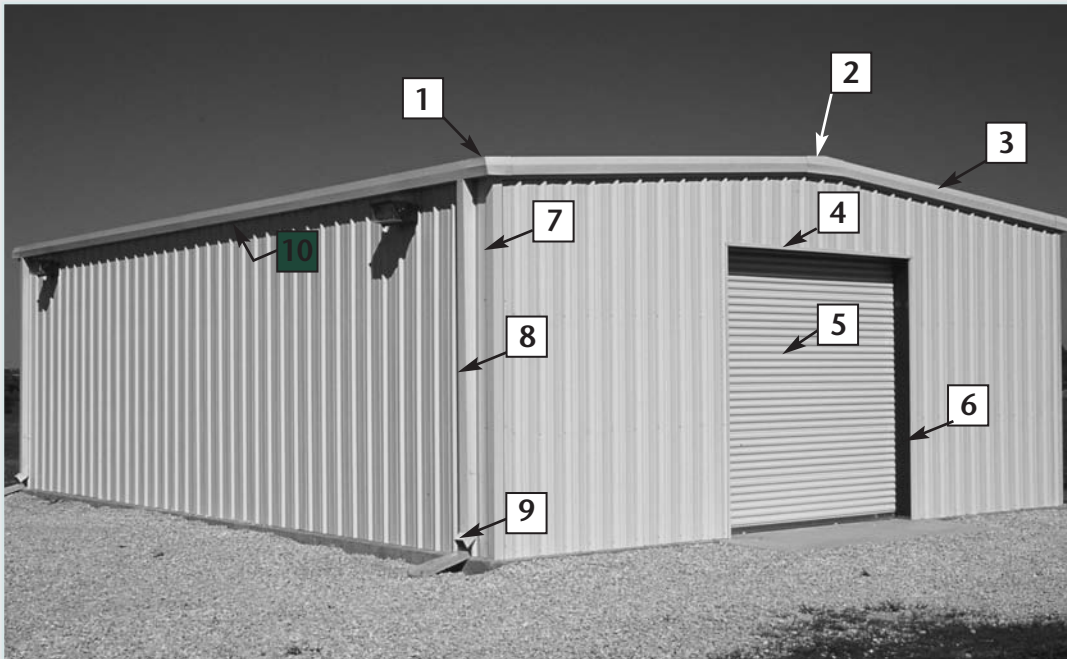
Our branches are staffed with experts who are always happy to answer any questions you may have.

Mueller is pleased to present high-quality trim components for our complete line of steel buildings.

In this catalog, you'll find everything you need to give Mueller steel buildings a finished, customized appearance – from corner boxes to peak boxes, from door trims to gutter trims.

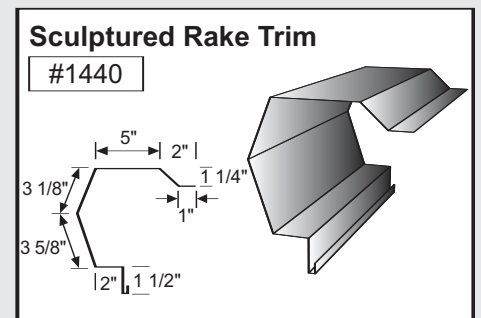
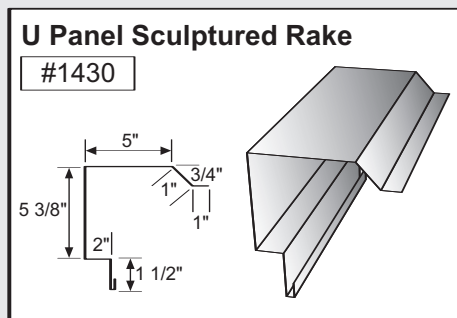
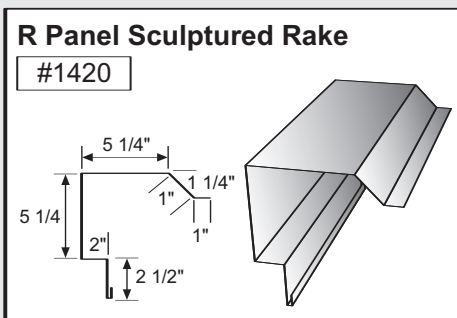
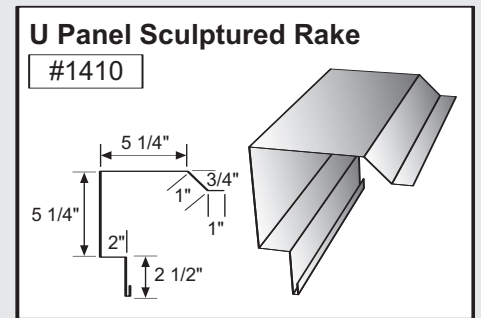
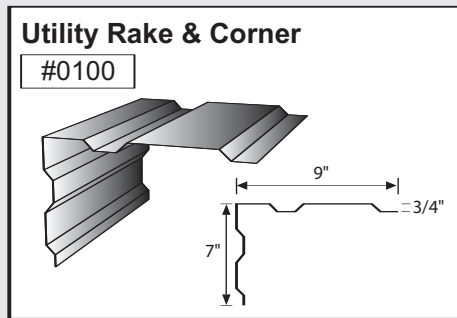
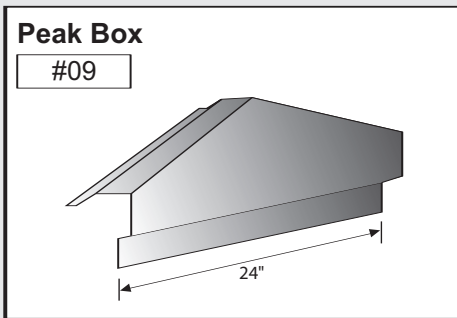
Of course, if you ever have questions about our trim components – or any Mueller product – just call one of our knowledgeable sales associates. You can also find the answers to many questions online at [www.MuellerInc.com](http://www.MuellerInc.com), where you can access photos, detailed product information, installation manuals, and directions to all of the Mueller branches.

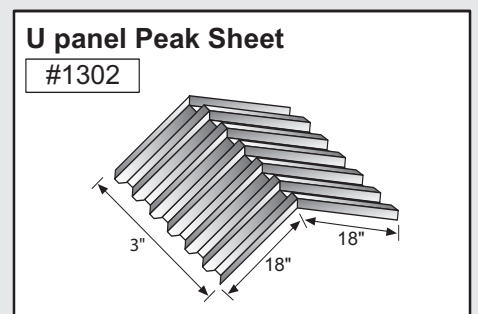
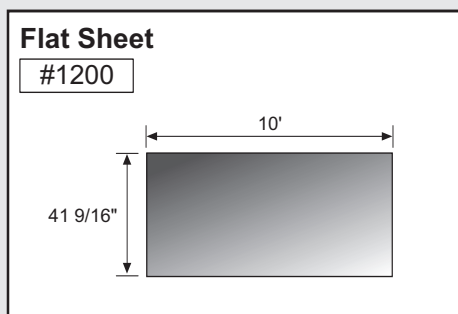
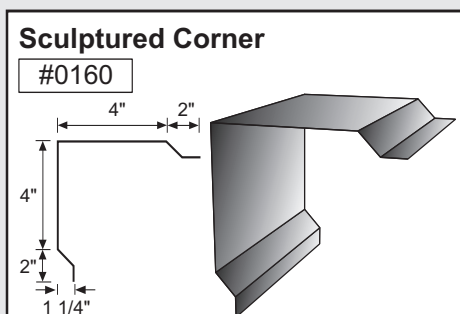
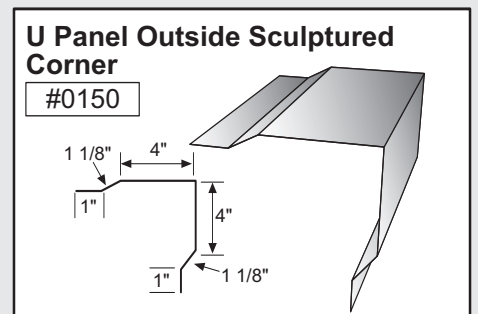
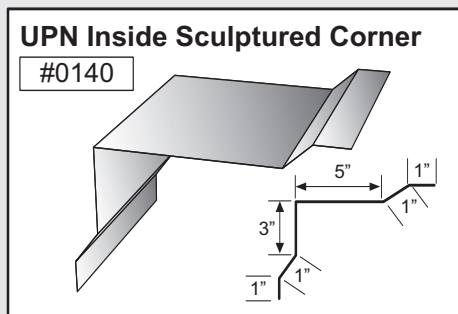
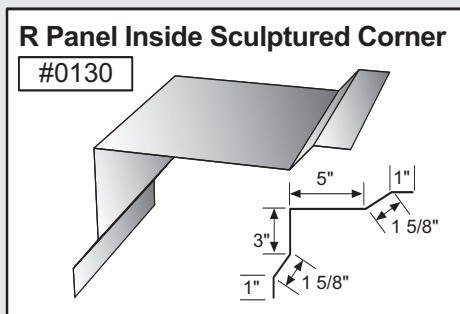
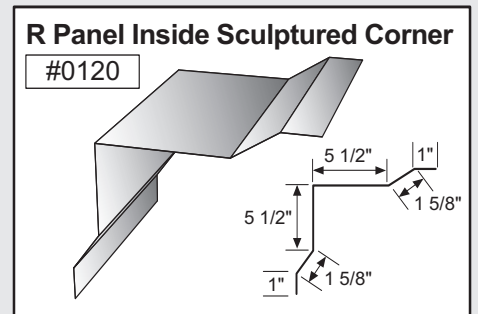
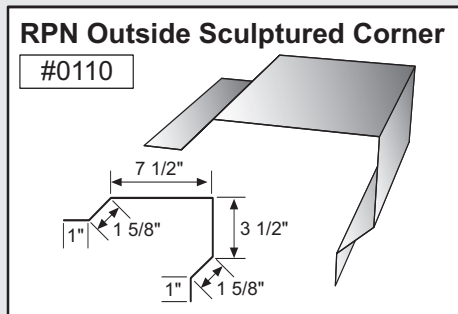
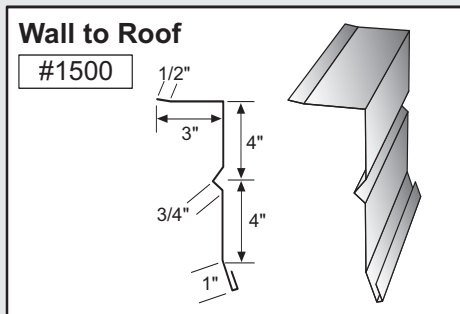
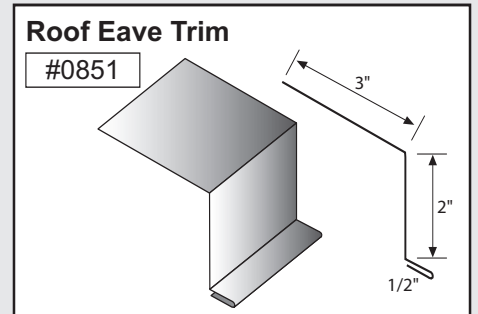
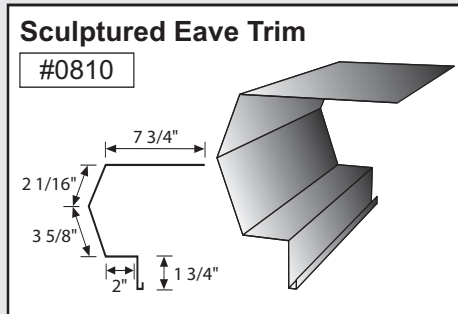
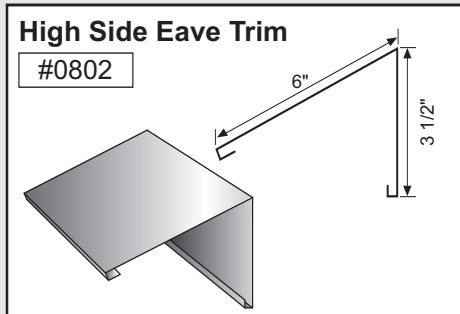
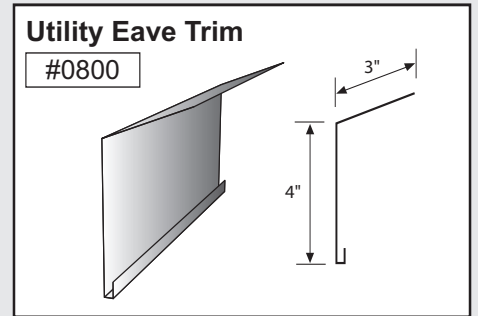
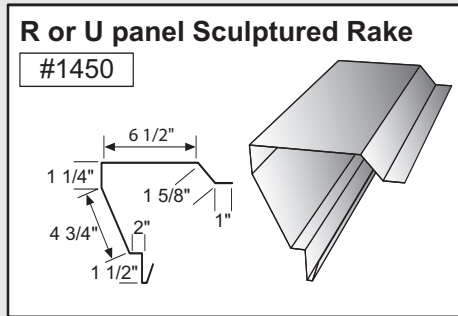
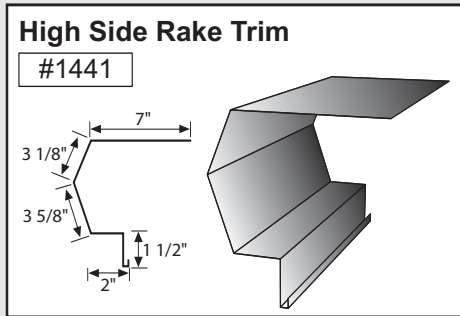
We appreciate your business, and hope that you continue to choose Mueller for all of your steel building needs!

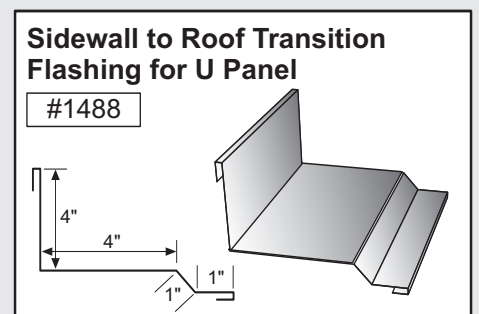
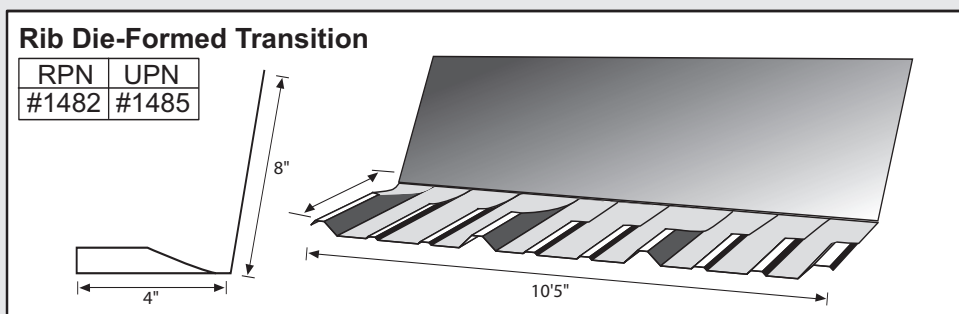
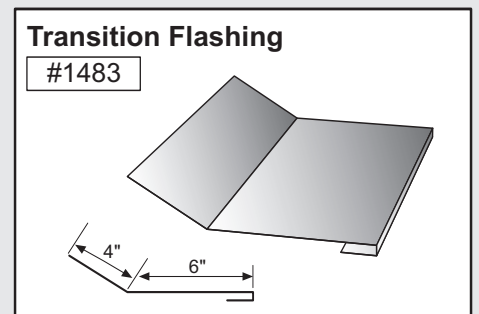
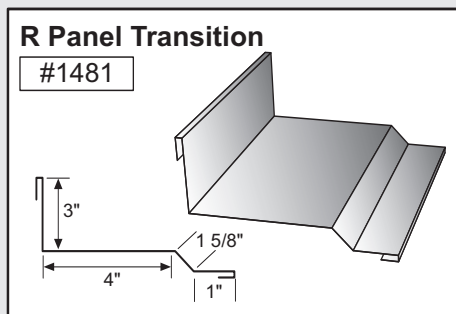
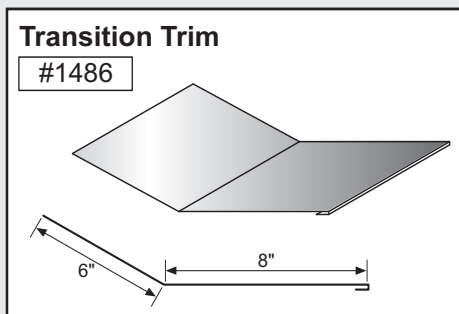
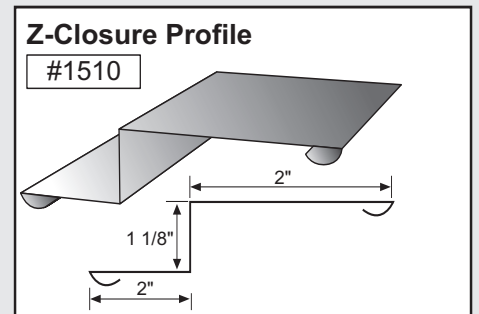
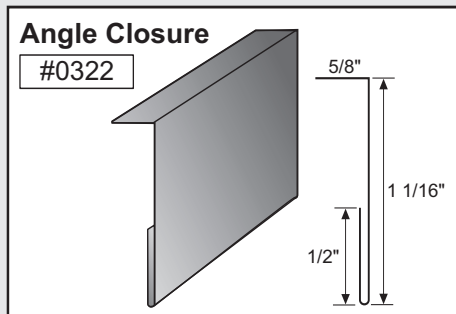
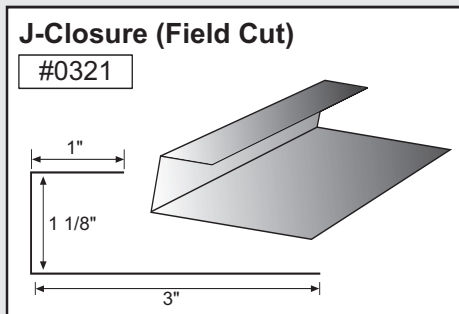
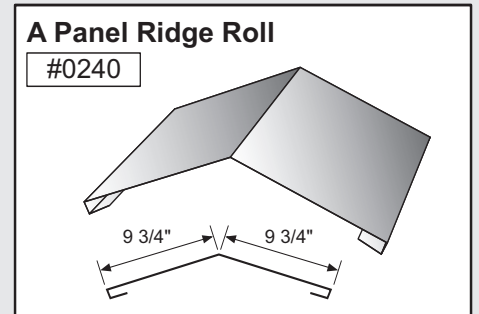
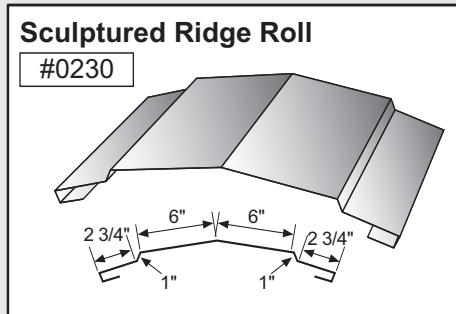
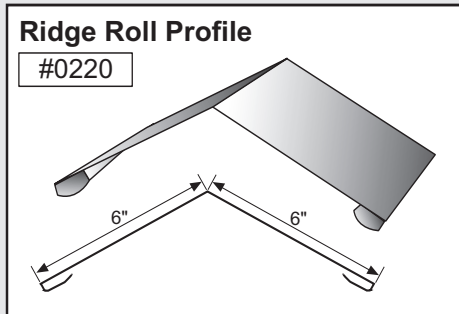
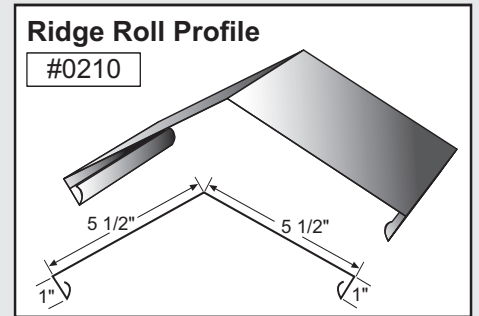
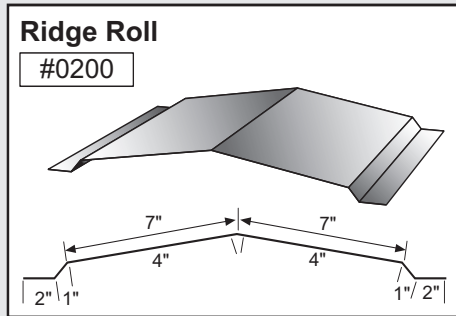
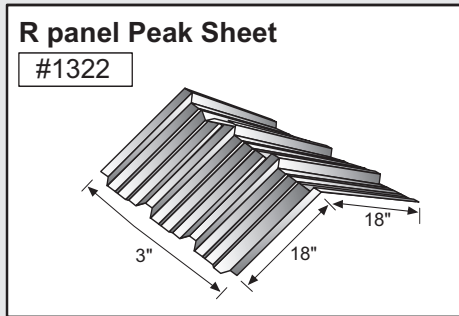


- Corner Box ———— **1**
- Peak Box ———— **2**
- Rake Trim ———— **3**
- Door Head Trim ———— **4**
- Roll-Up Door ———— **5**
- Jamb Trim ———— **6**
- Corner Trim ———— **7**
- Downspout ———— **8**
- Downspout Kickout ———— **9**
- Gutter or Eave Trim ———— **10**

Mueller trim components can provide a cleaner and more finished look for your building. In an effort to minimize paint scratches during transit, we apply a protective plastic coating to some trim items. Be sure to remove the protective coating before installation. Avoid exposing the items to direct sunlight, which could make the coating more difficult to remove.

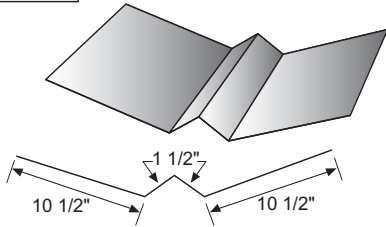






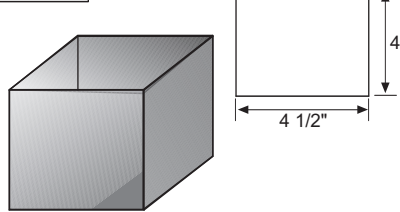
**R & U Panel Valley Flashing**

#0540



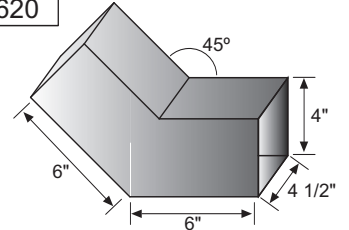
**Downspout Profile**

#0610



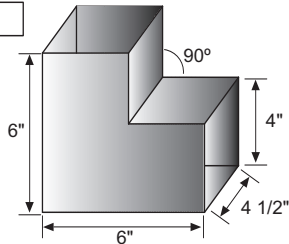
**Downspout Kickout 45°**

#0620



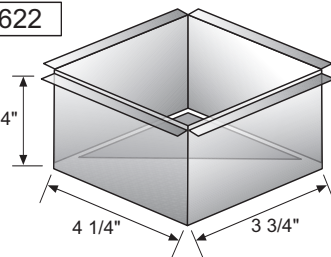
**Downspout Kickout 90°**

#0621



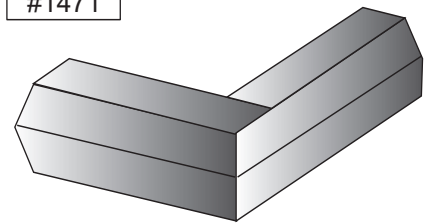
**Downspout Sleeve**

#0622



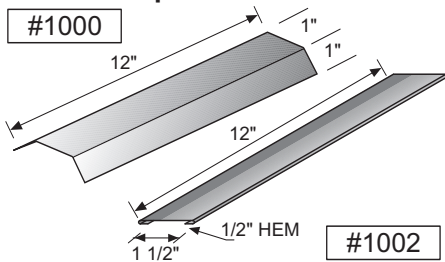
**Corner Box**

#1471



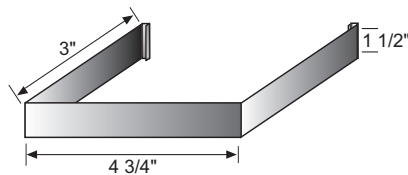
**Gutter Straps**

#1000



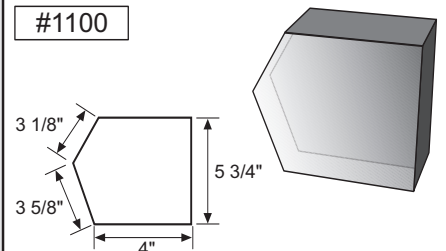
**Downspout Strap**

#1010



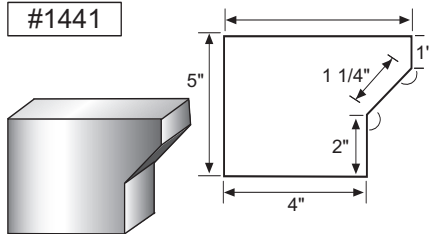
**Gutter Endcap for 0500 & 0520**

#1100



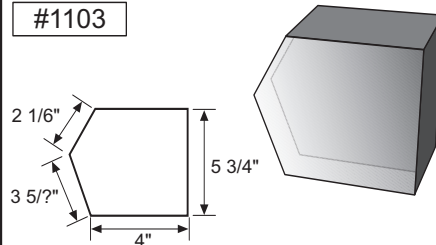
**Gutter Endcap Profile**

#1441



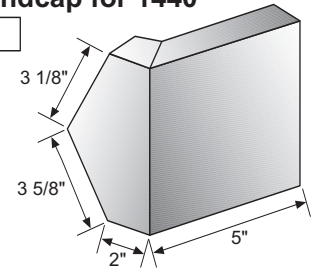
**Gutter Endcap for 0503 & 0523**

#1103



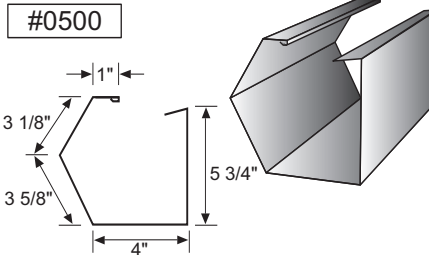
**Rake Endcap for 1440**

#1140



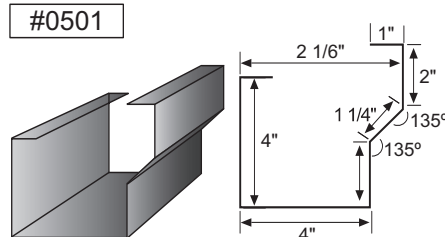
**Utility Gutter Profile**

#0500



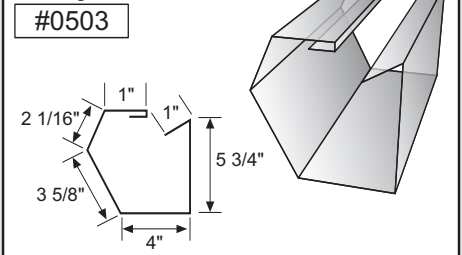
**Residential Gutter Profile**

#0501



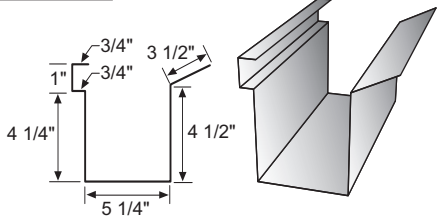
**Utility Gutter**

#0503



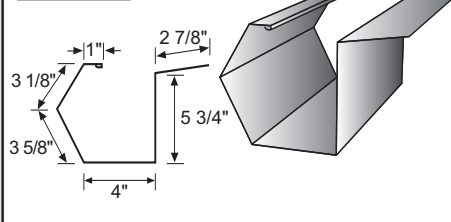
## Sculptured Gutter

#0510



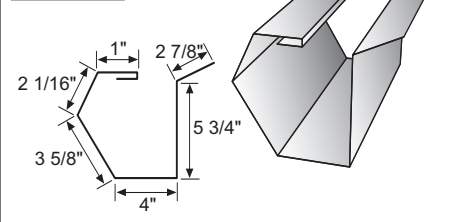
## Sculptured Gutter

#0520



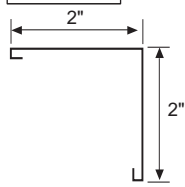
## Sculptured Gutter

#0523

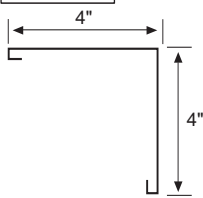


## Angle Trims 10' & 12'

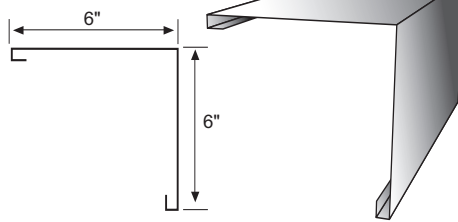
#0702



#0704

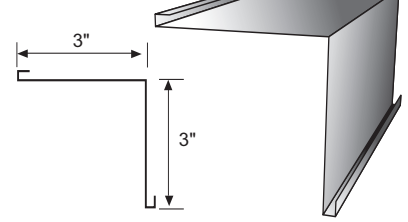


#0706



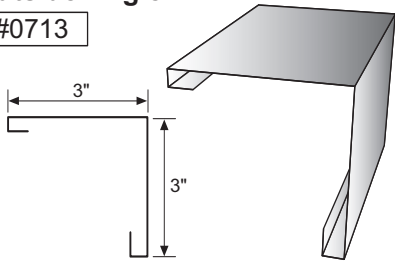
## Angle Trim 10' & 12'

#0703



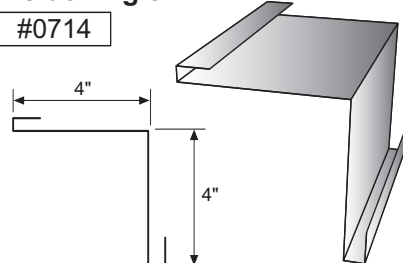
## Outside Angle Trim

#0713



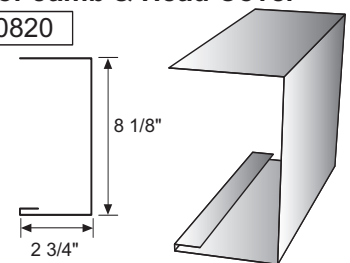
## Inside Angle Trim

#0714



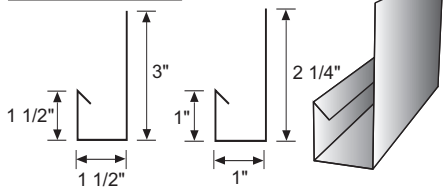
## Door Jamb & Head Cover

#0820



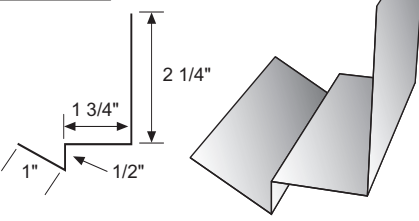
## Door Jamb Trim

#0350 / 0360



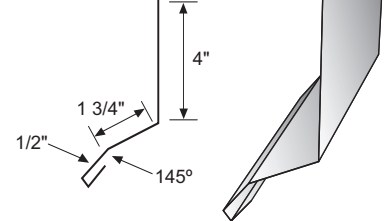
## Door & Window Head Trim

#0340



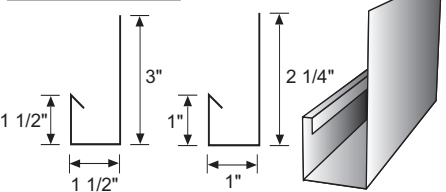
## Drip Flashing

#0330



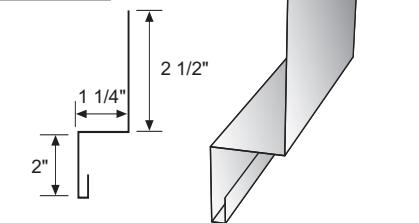
## Door Head Trim

#0300 / 0320



## Door Hood Cap

#0310



## Door Track Cover

#0400

