



**MUELLER, INC.**  
**METAL BUILDINGS, ROOFING & COMPONENTS**

**877-2-MUELLER**

**[www.MuellerInc.com](http://www.MuellerInc.com)**

**18'X21' DIY KIT FOR SLAB**

**Mueller BYK buildings do not meet any specific code or engineering criteria.  
These buildings are intended to be erected in geographical locations which  
do not require engineered loads for buildings**

# Parts List

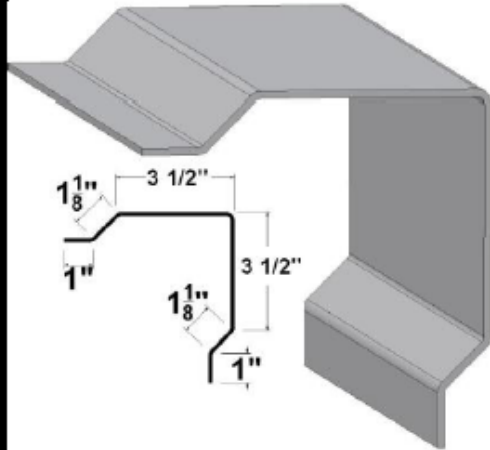
**The parts list shown in this manual is meant to be used as a reference only.** Please refer to the invoice that was delivered with the kit that is being assembled.

Some of the parts listed may not be required for your kit building. Also some of the colors listed may not match the kit that you purchased. For an exact parts list for your particular building please reference your invoice as it will have all data required for your building. If you have any questions please contact your Sales Representative as they will be happy to assist.

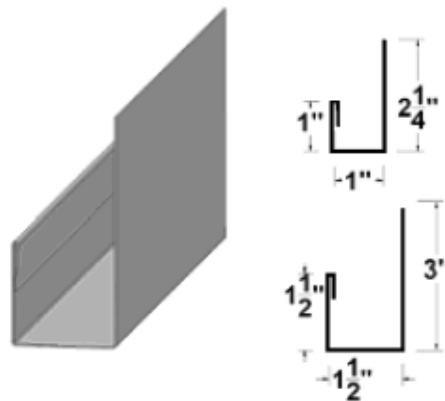
**Mid-Girts Sold at additional cost on selected kits**

# TRIM PAGE

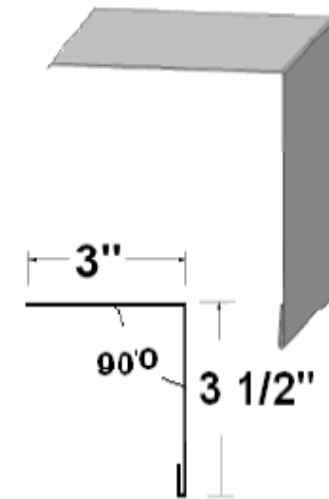
Outside Corner # 0150  
UPN – CFP – APN 11.25"



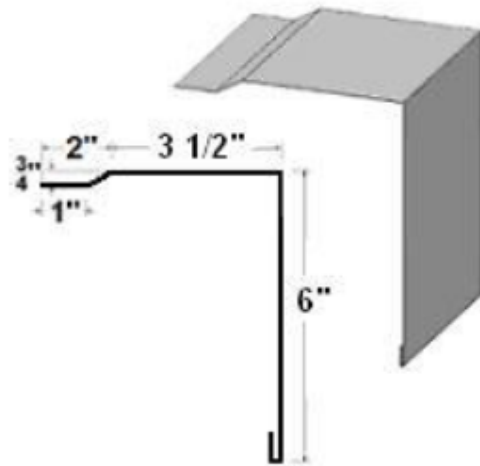
Door Head # 0300 & 0320  
4.5" - 6.5"



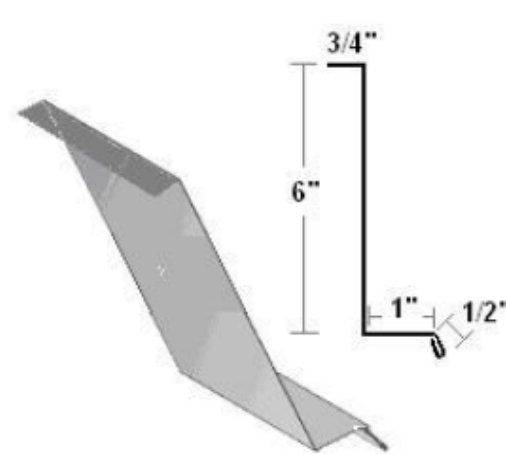
MNB Eave #0801 7"



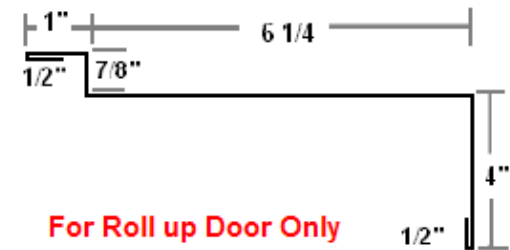
MNB OS Rake #1700 12"



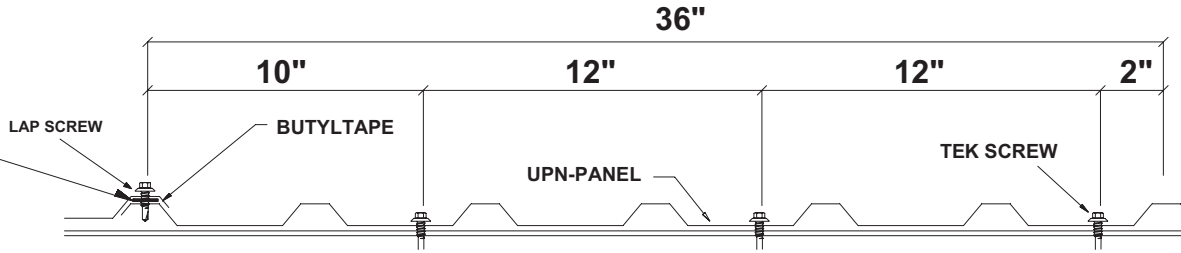
MNB IS Rake #1701 8.75"



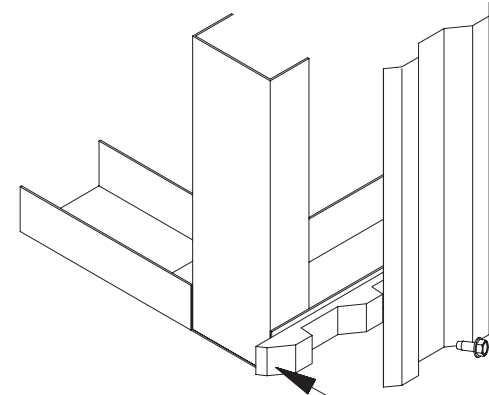
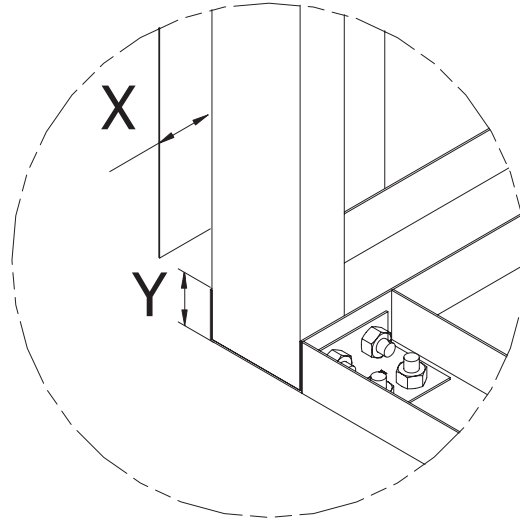
MNB RUD Flashing #1702  
13.125"



To avoid leaking place sealer tape between roof sheets only.

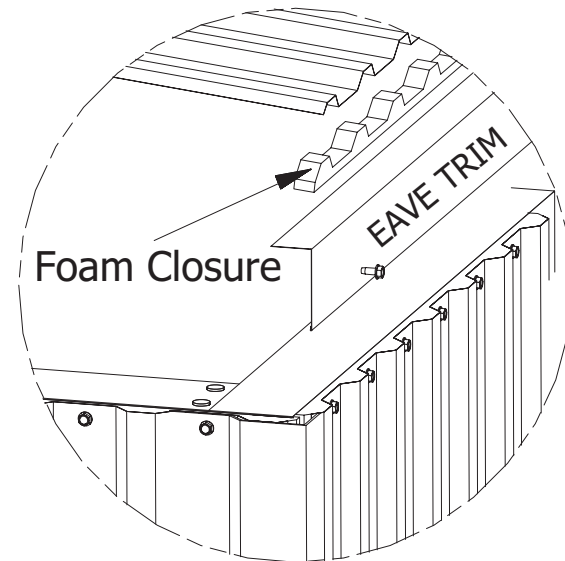
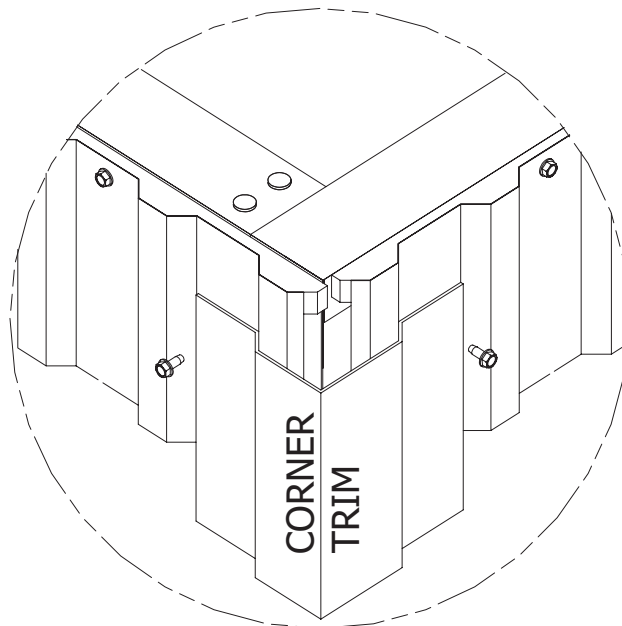


## BACK SIDE VIEW



Foam Closure

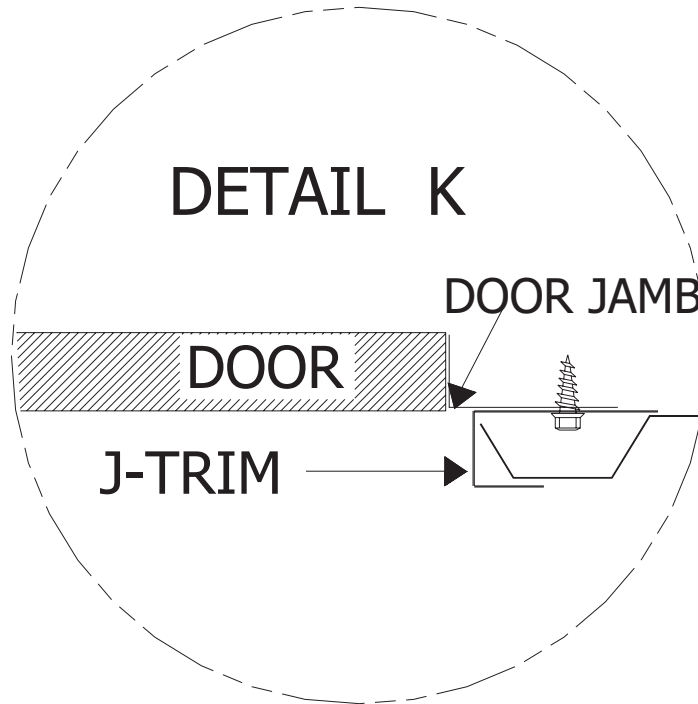
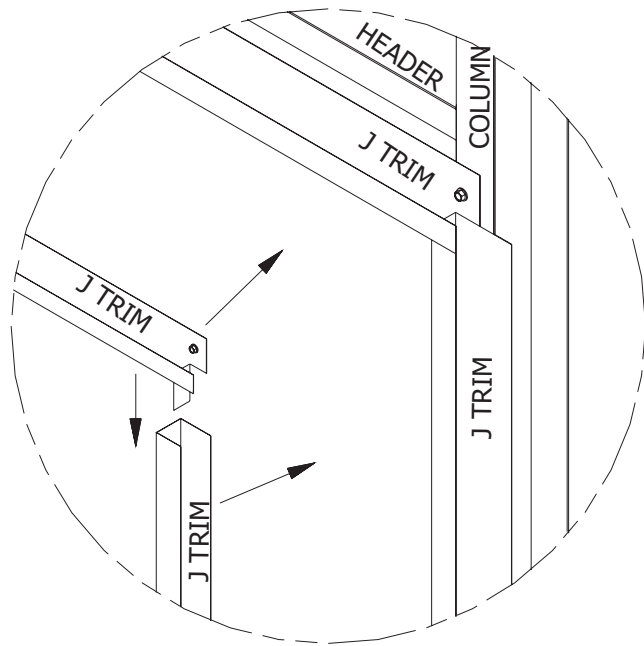
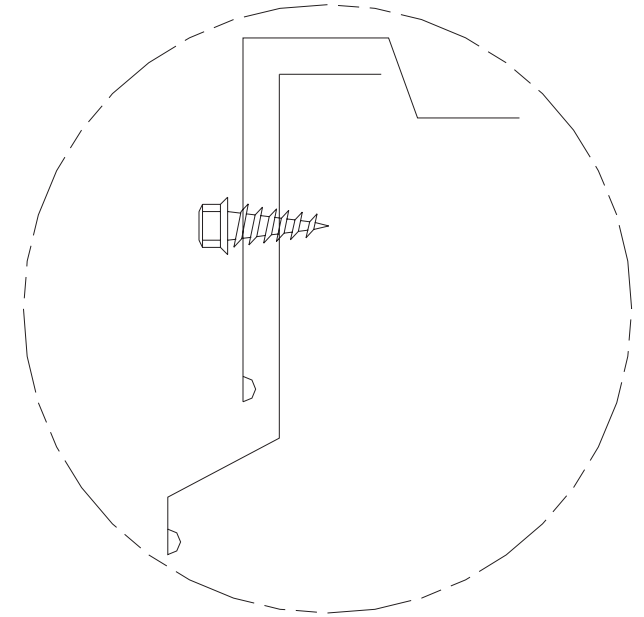
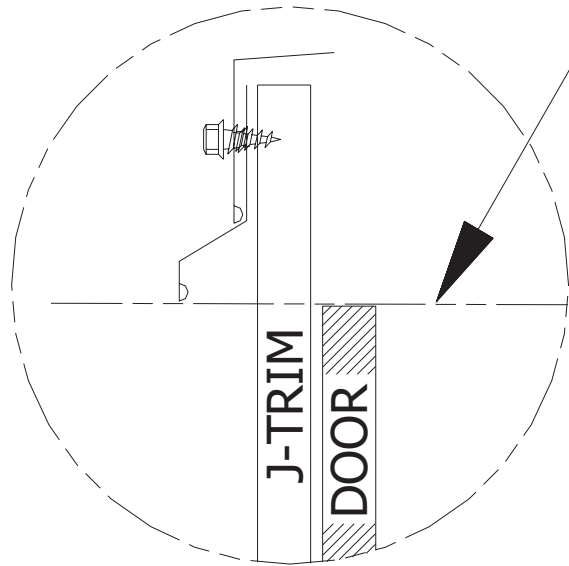
X & Y Dimensions are located further in the instructions



Foam Closure

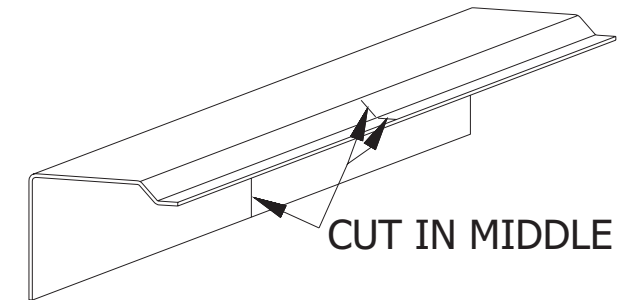
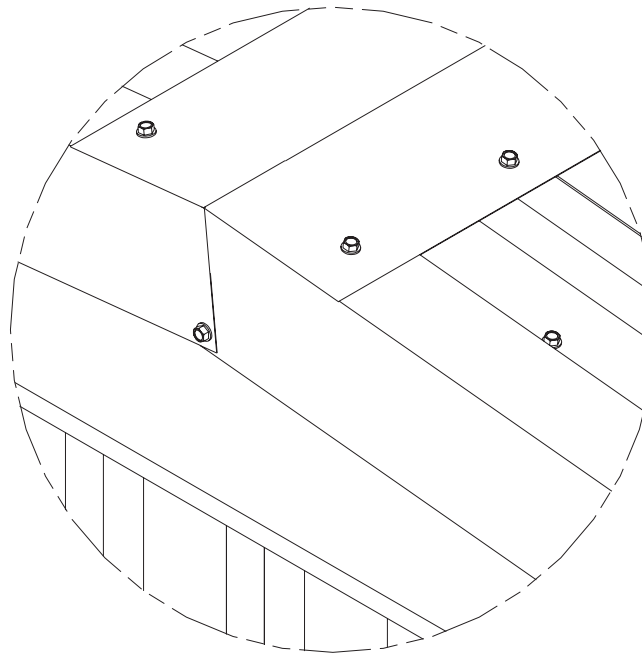
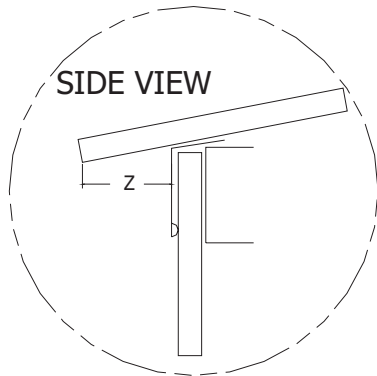
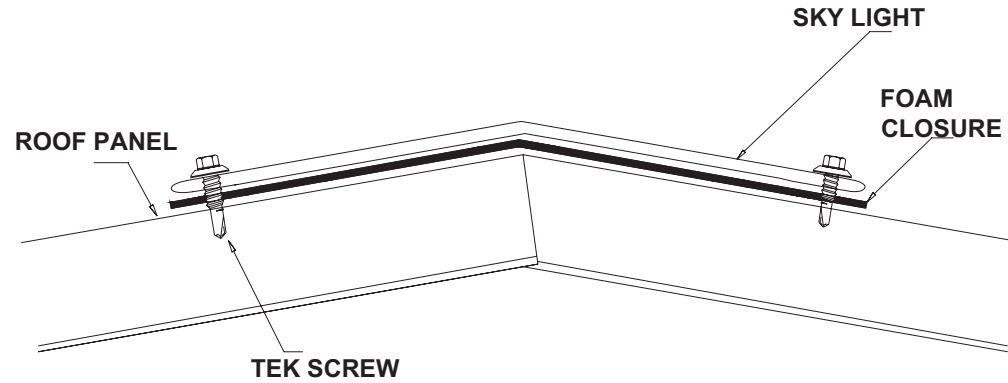
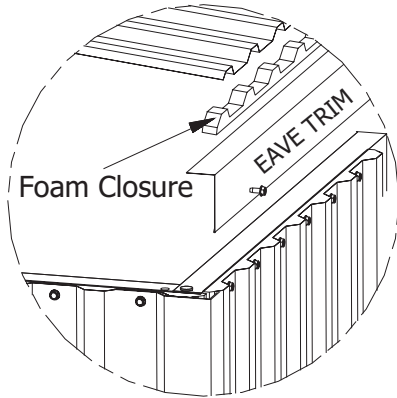
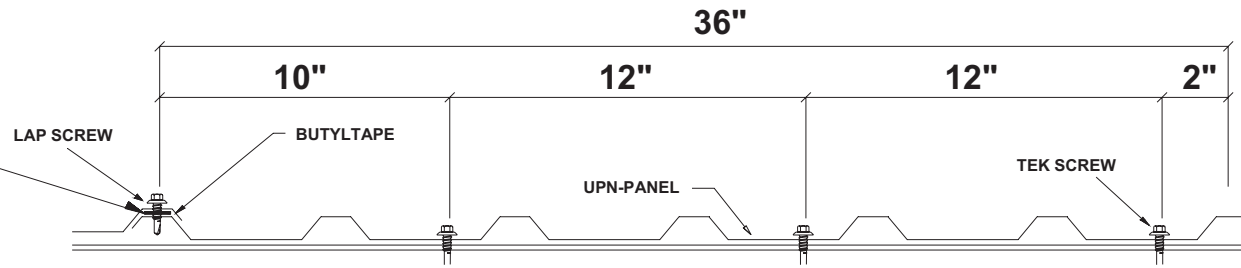
EAVE TRIM

**DOOR SHOULD BE LOWER THAN BOTTOM OF TRIM**

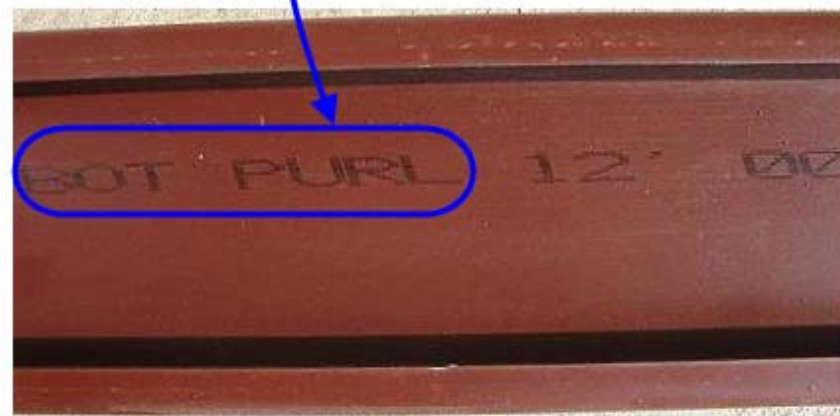
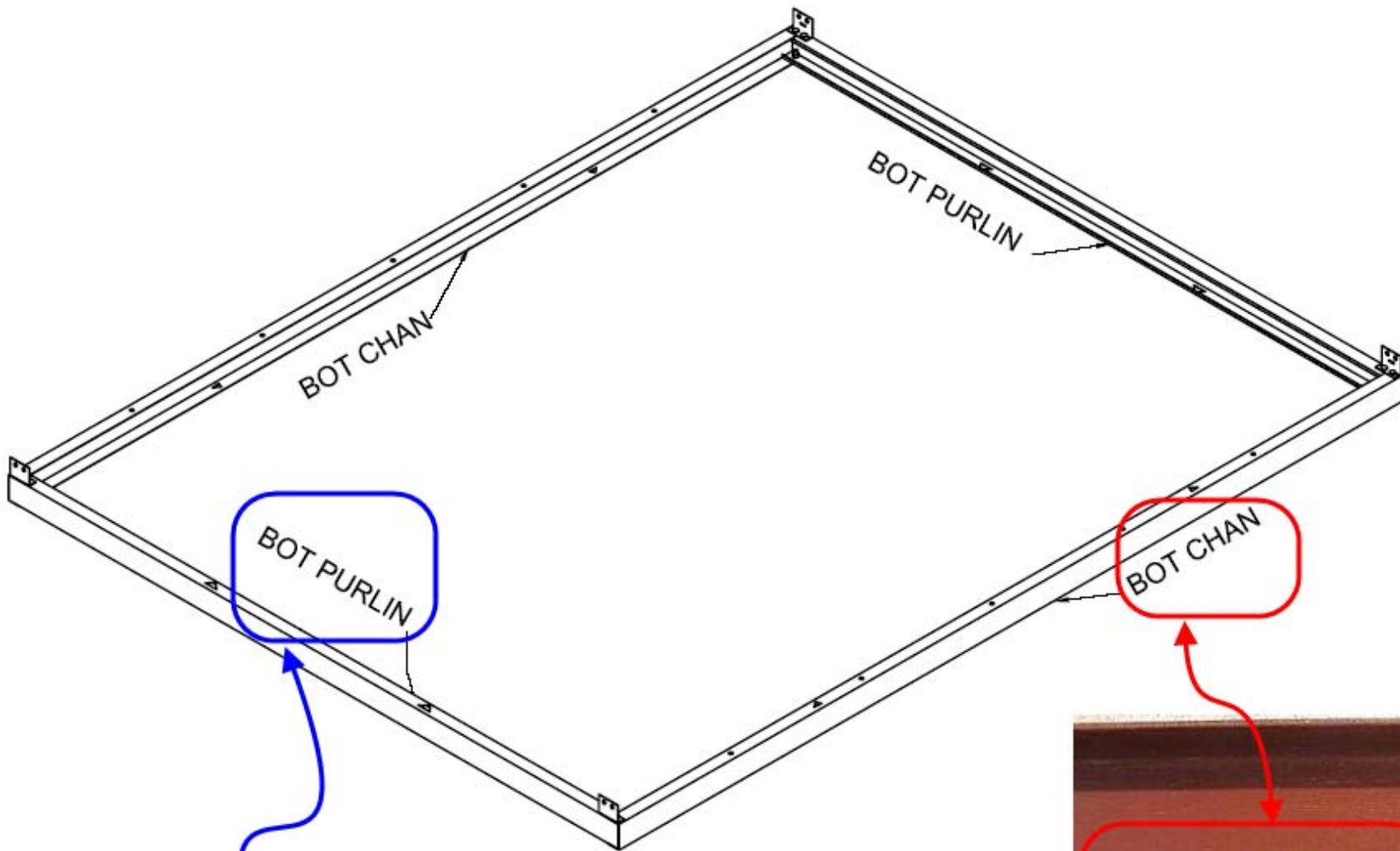


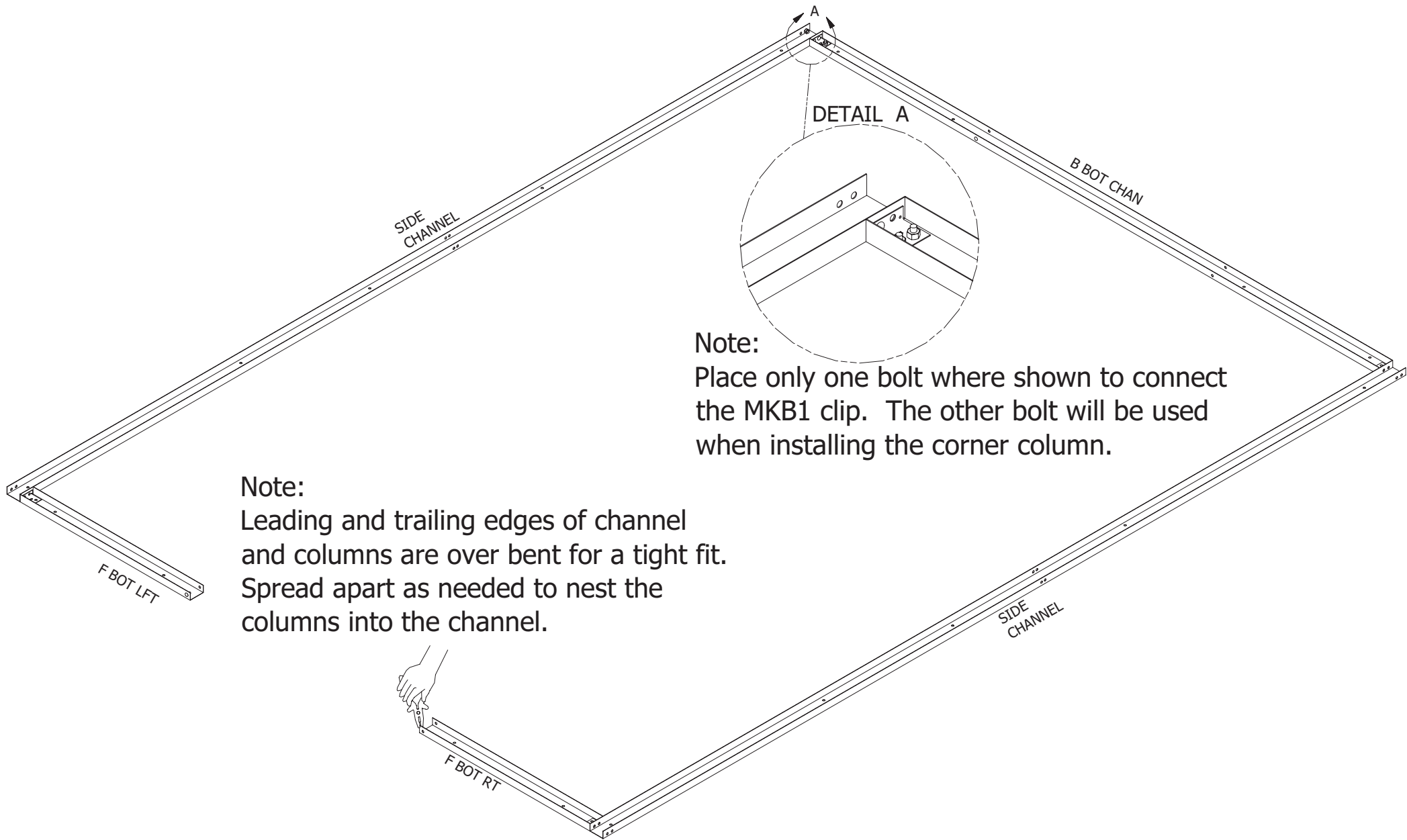
**NOTE FOR DOOR SIDE SHEETING ONLY:  
START SHEET FLUSH WITH J-TRIM  
ON BOTH SIDES OF DOOR**

To avoid leaking place sealer tape between roof sheets only.



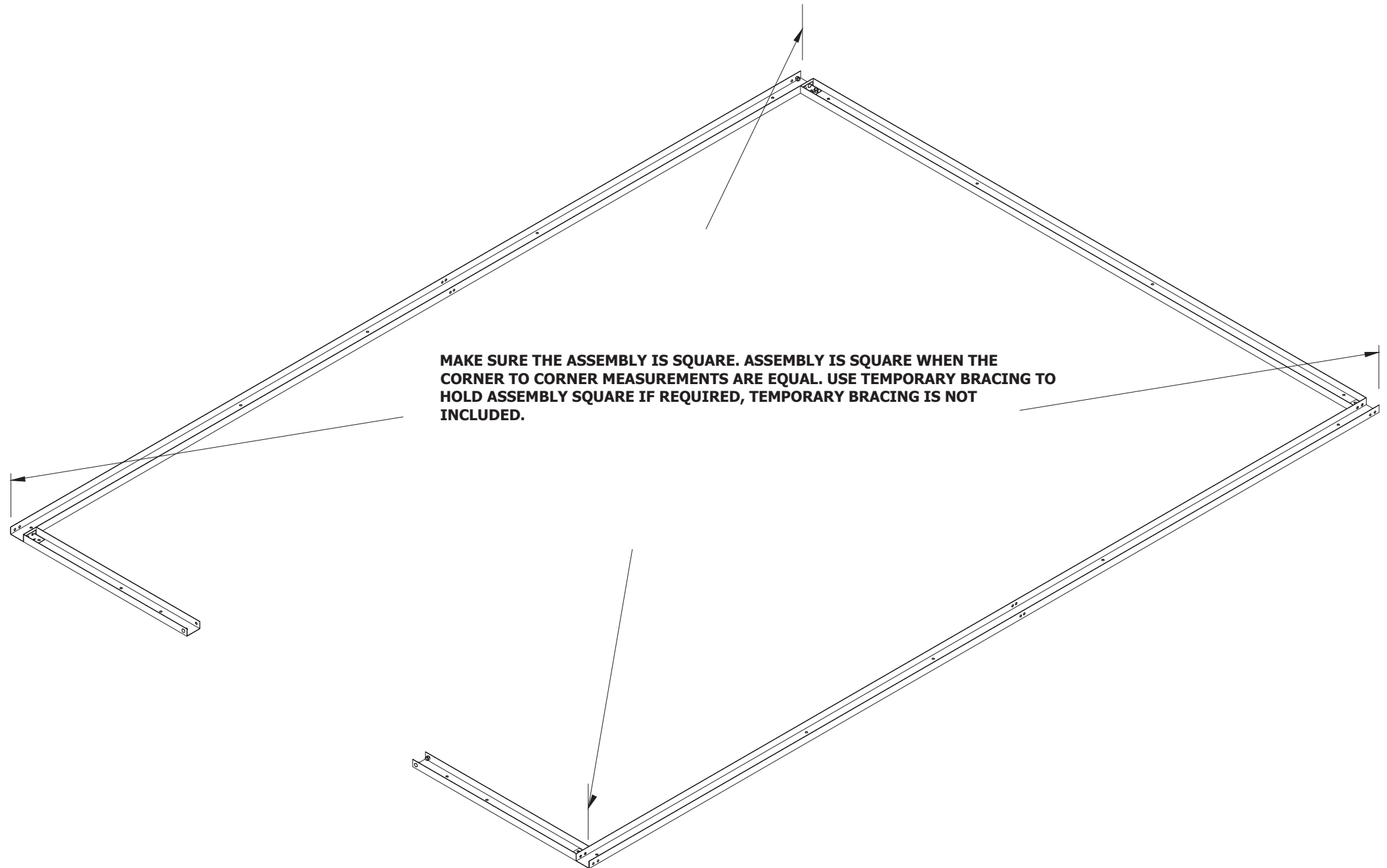
"Z" Dimensions can be found Later in the instructions



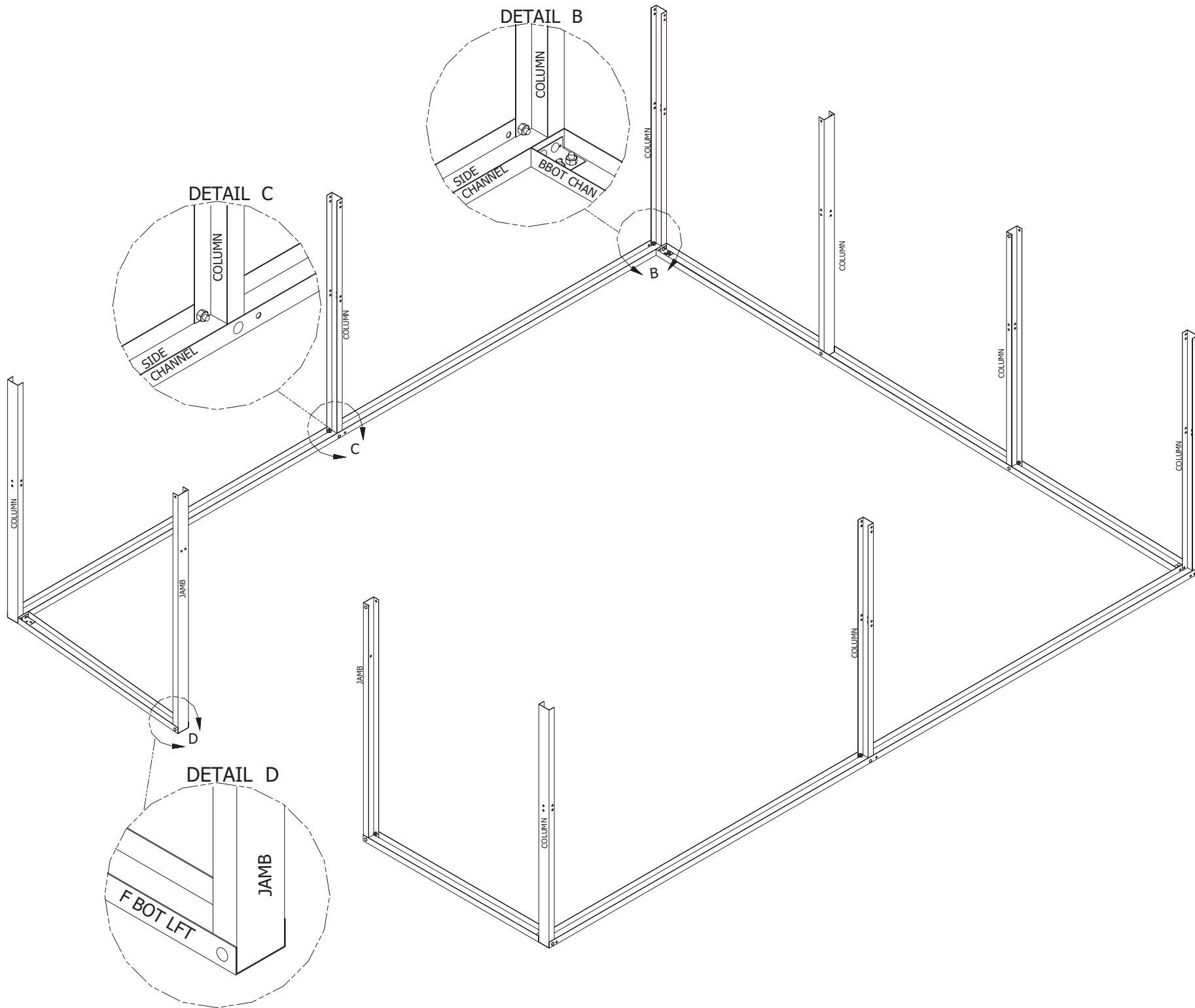


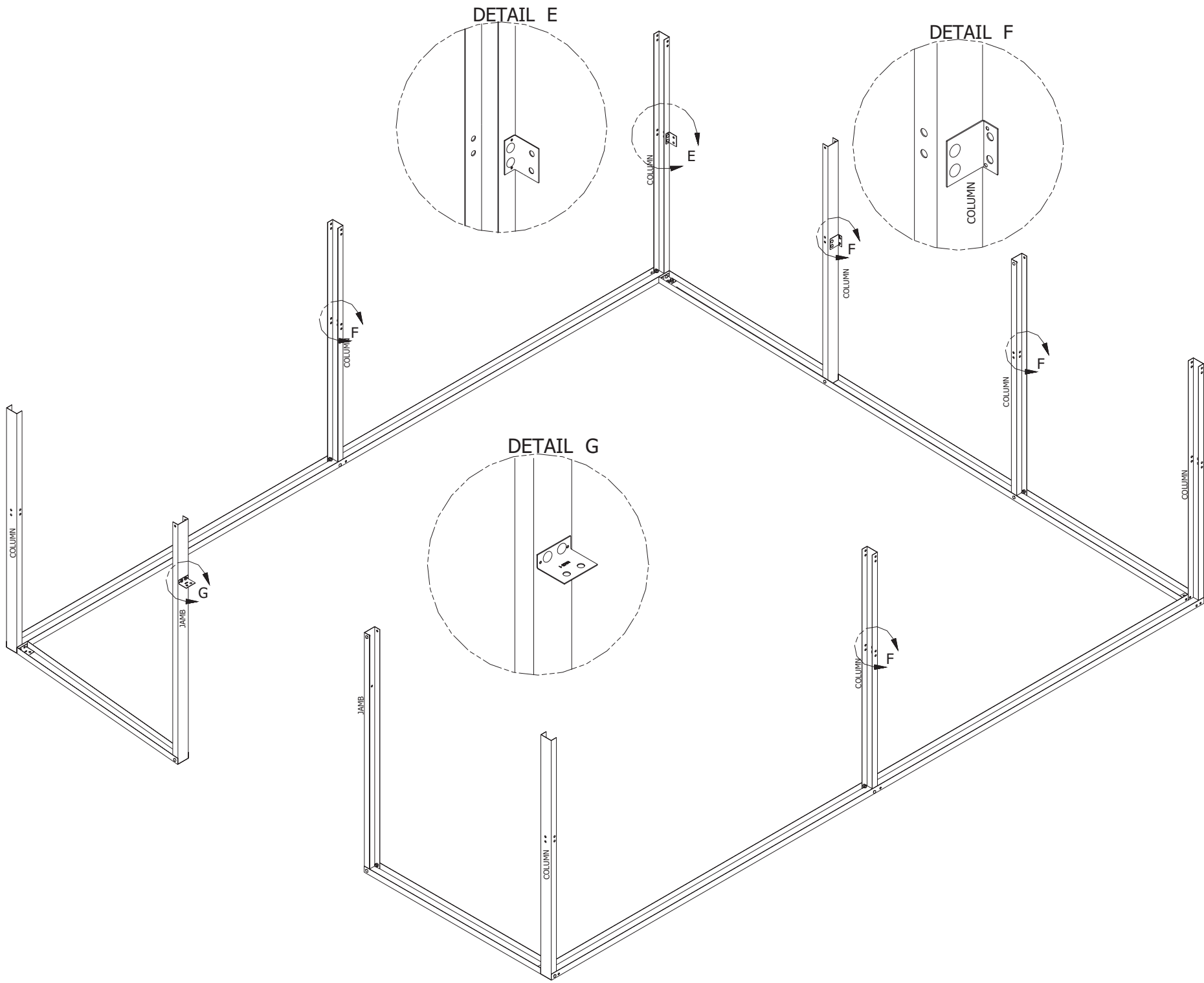
Note:  
Leading and trailing edges of channel and columns are over bent for a tight fit. Spread apart as needed to nest the columns into the channel.

Note:  
Place only one bolt where shown to connect the MKB1 clip. The other bolt will be used when installing the corner column.



**MAKE SURE THE ASSEMBLY IS SQUARE. ASSEMBLY IS SQUARE WHEN THE CORNER TO CORNER MEASUREMENTS ARE EQUAL. USE TEMPORARY BRACING TO HOLD ASSEMBLY SQUARE IF REQUIRED, TEMPORARY BRACING IS NOT INCLUDED.**





DETAIL E

DETAIL F

DETAIL G

COLUMN

JAMB

JAMB

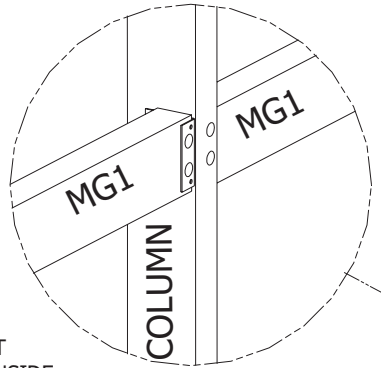
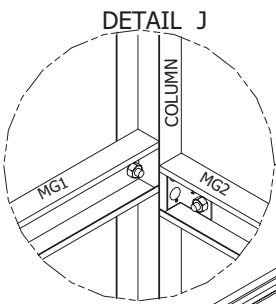
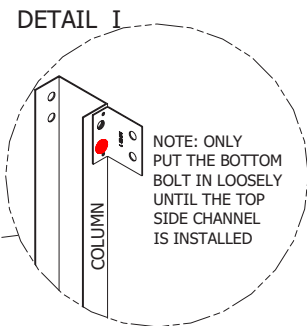
COLUMN

COLUMN

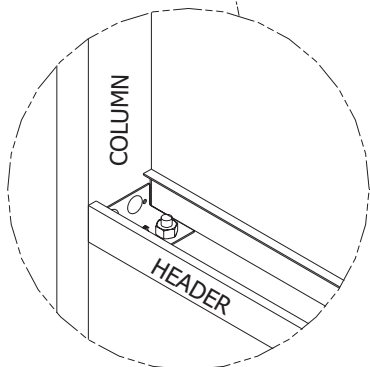
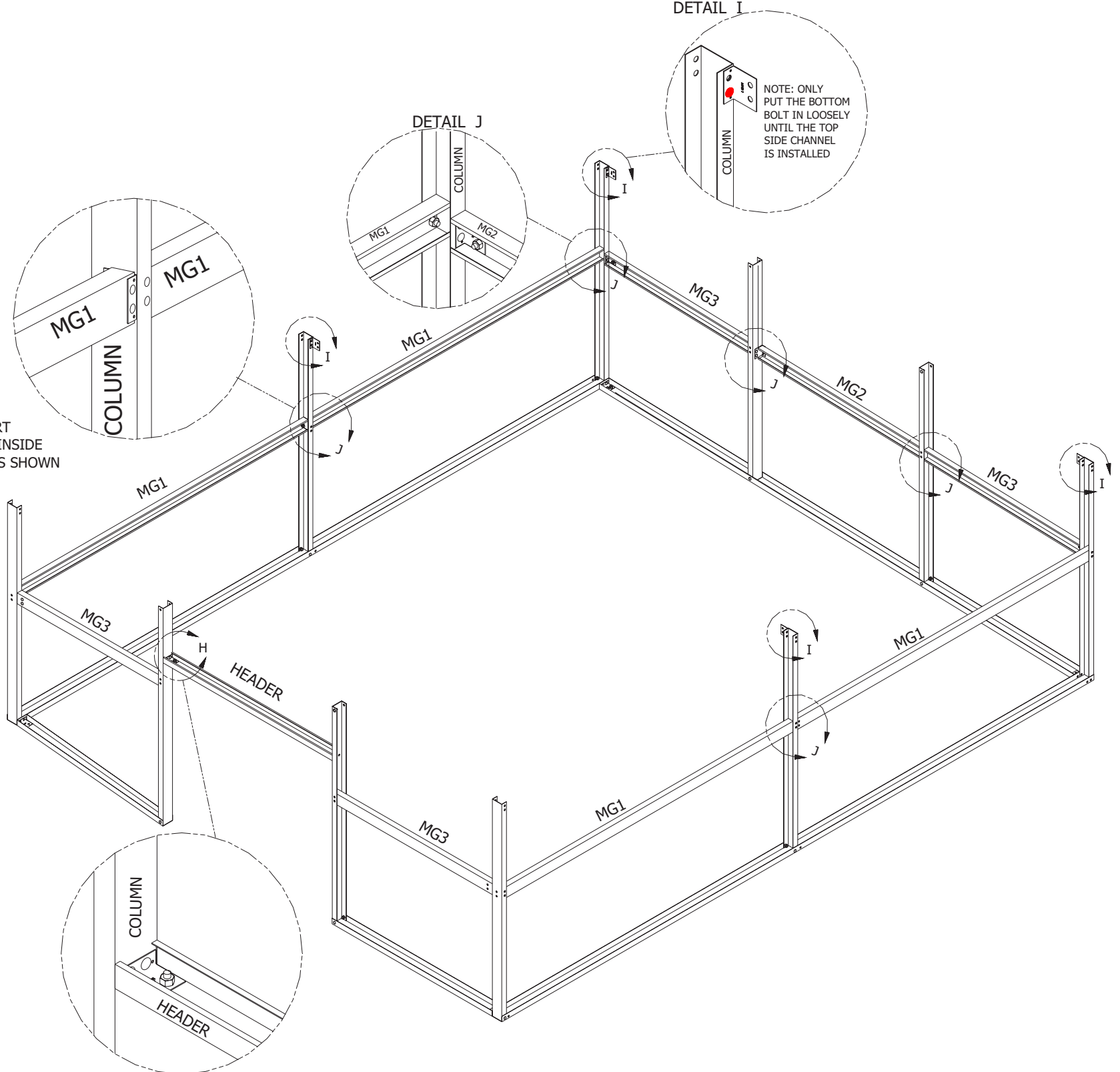
COLUMN

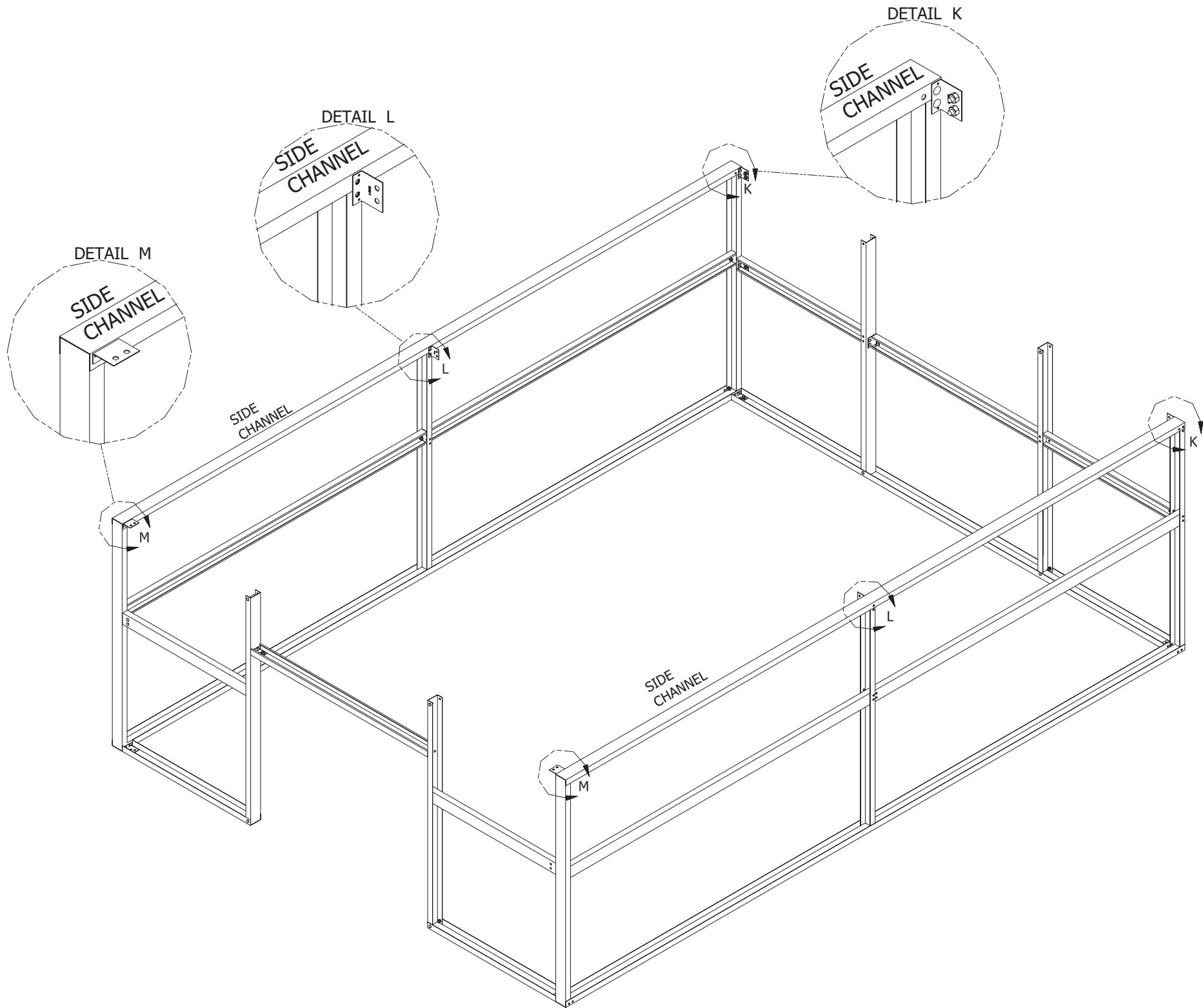
COLUMN

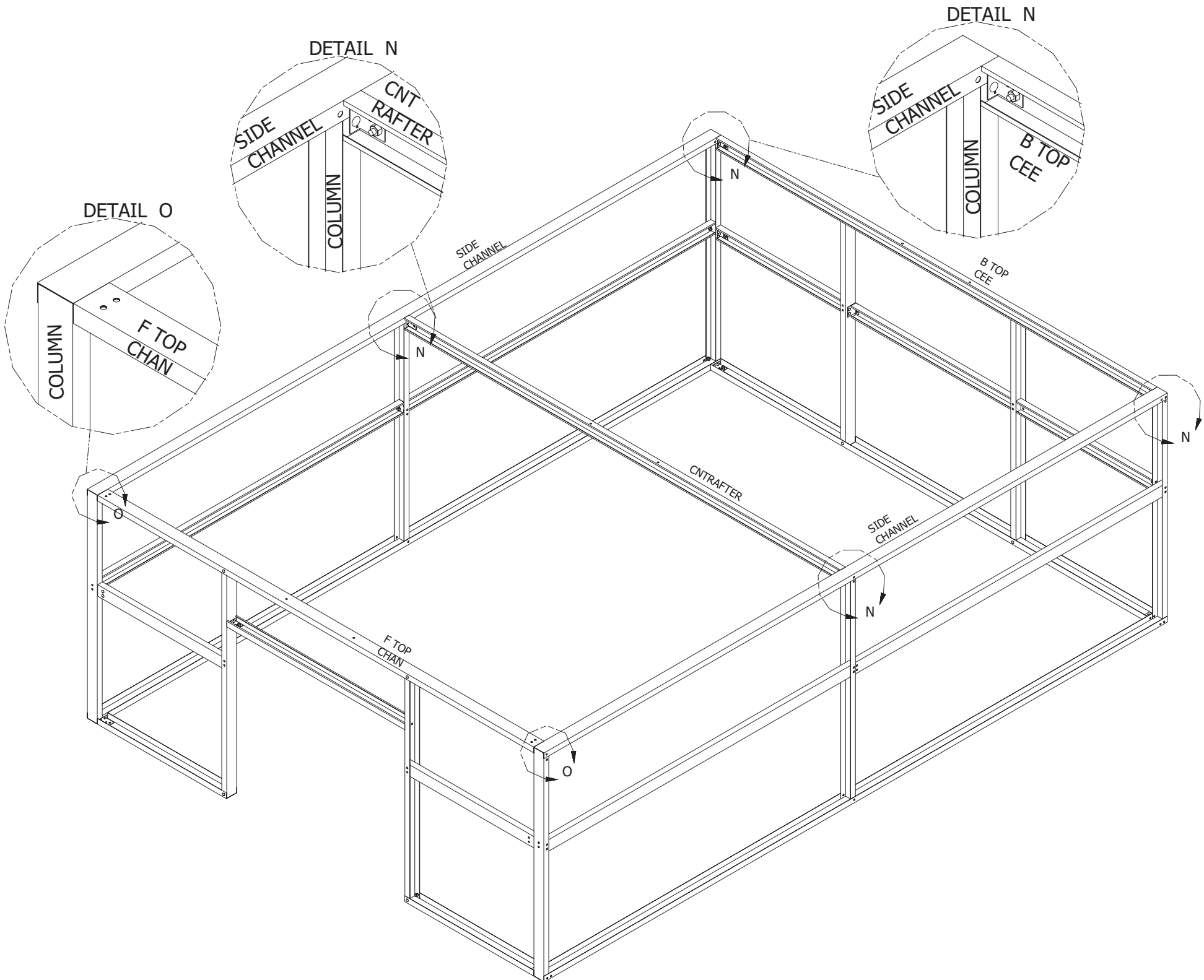
COLUMN



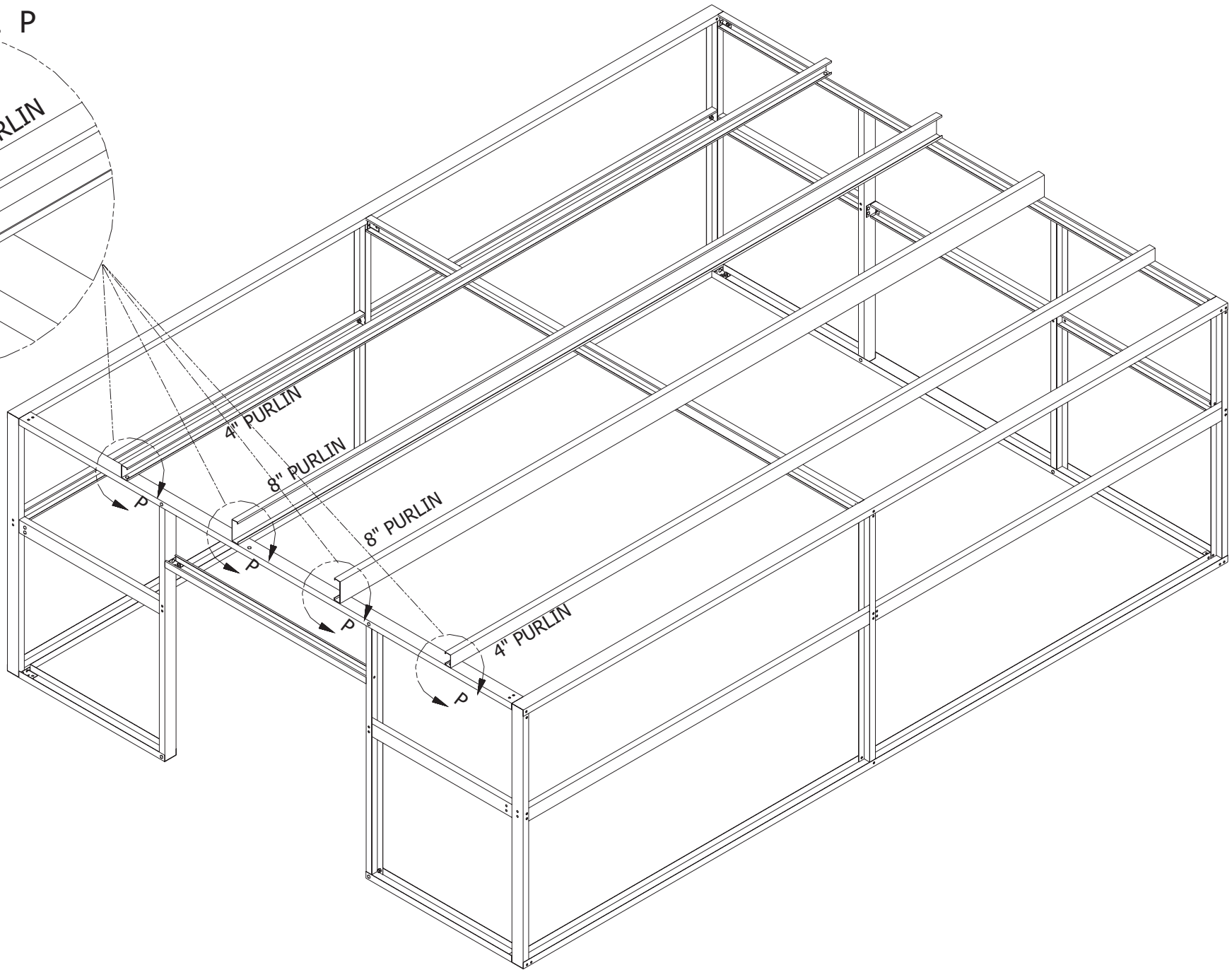
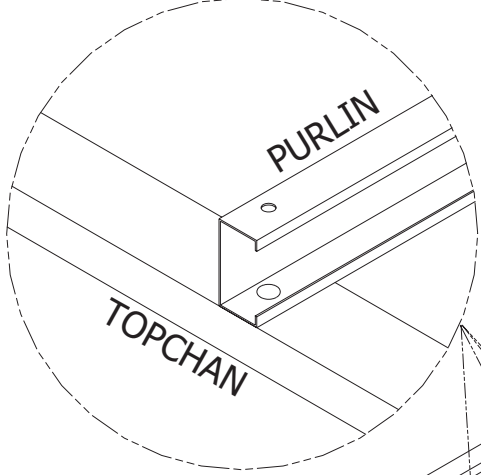
NOTE: THE GIRT GOES TO THE INSIDE OF THE CLIP AS SHOWN

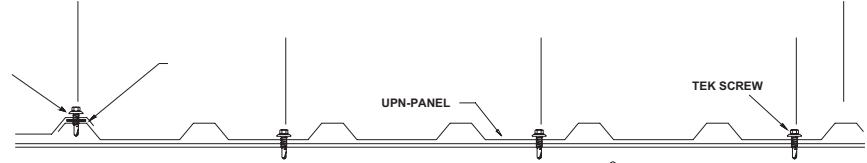




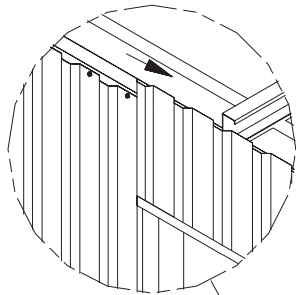


DETAIL P



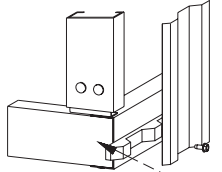


DETAIL R

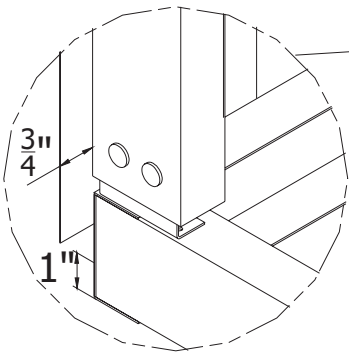


On the endwall with the framed opening, start sheeting on one corner and work your way across.

BACK SIDE VIEW

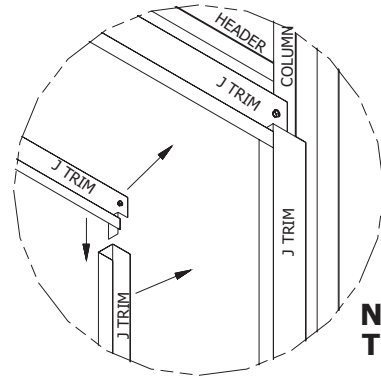


DETAIL T

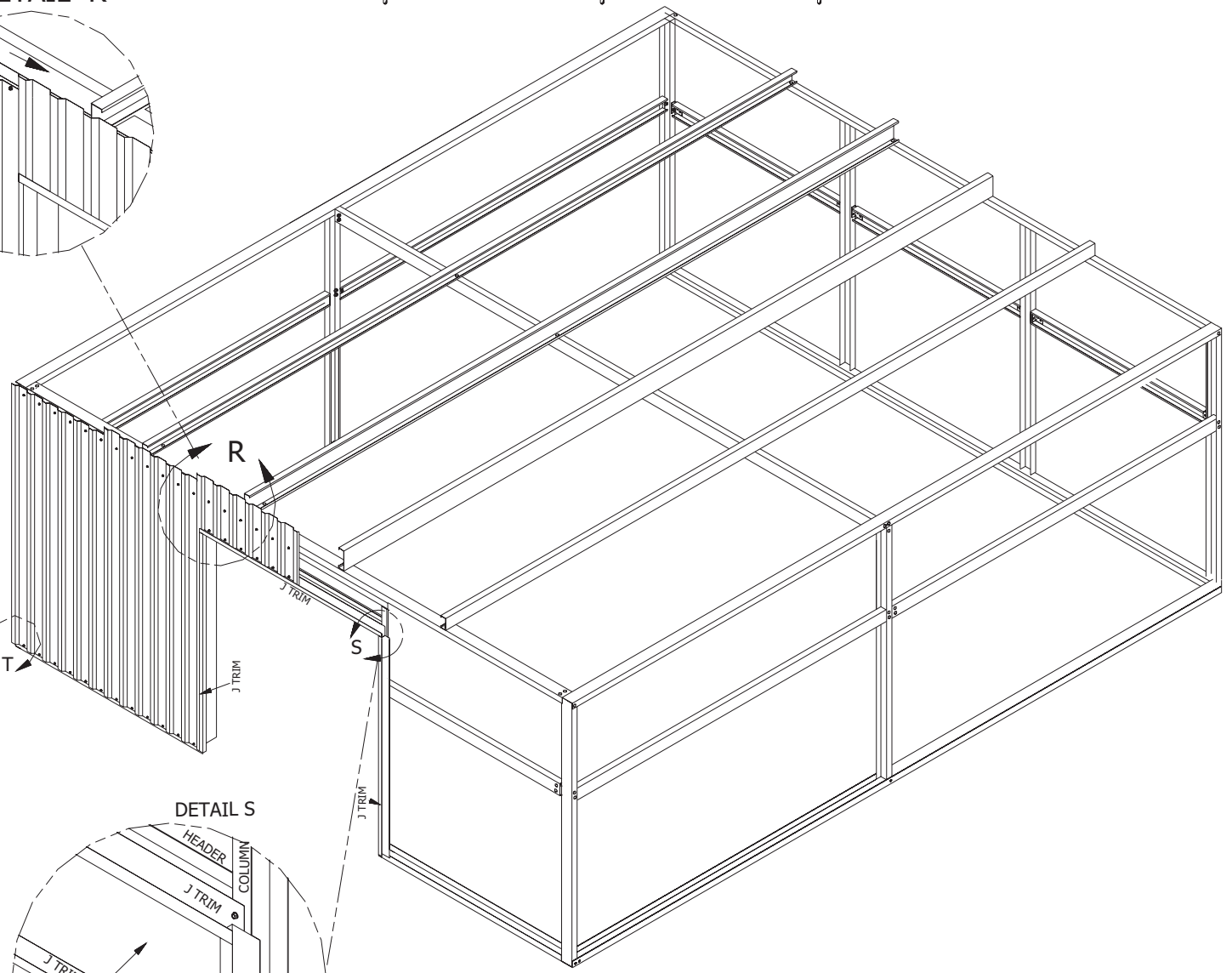


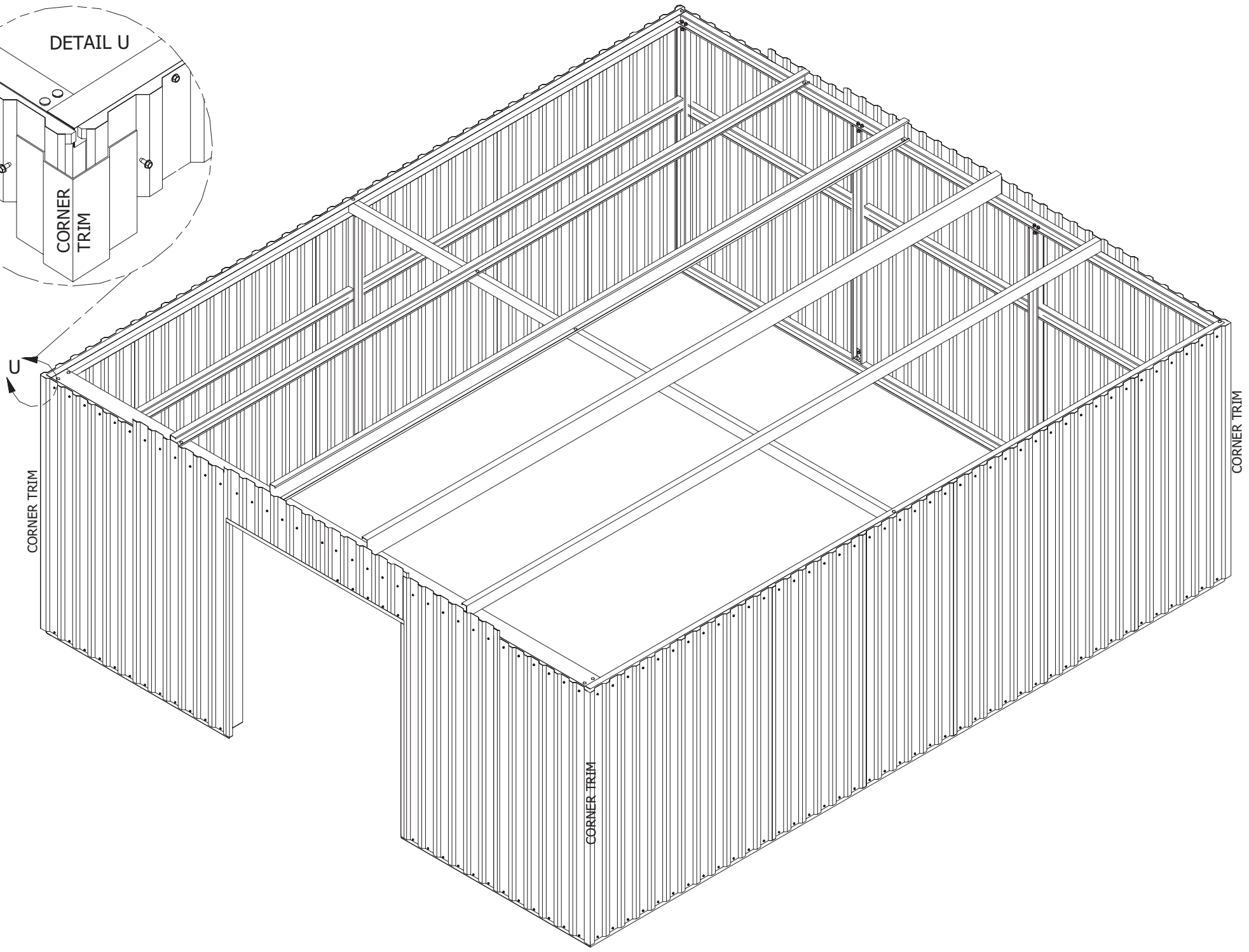
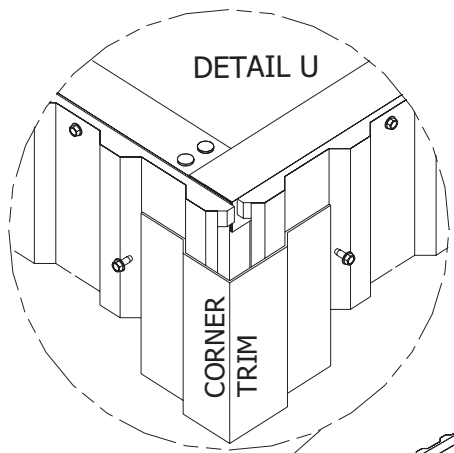
START SHEET 3/4" PAST THE END OF THE FRAME AND 1" FROM THE BOTTOM OF BASE

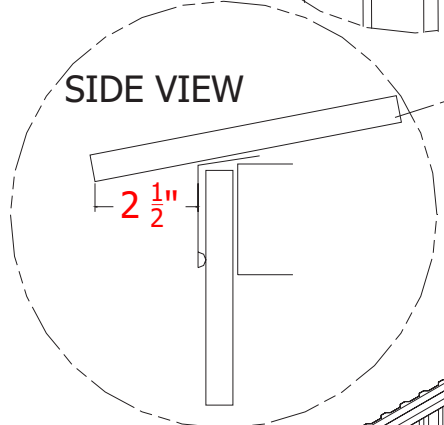
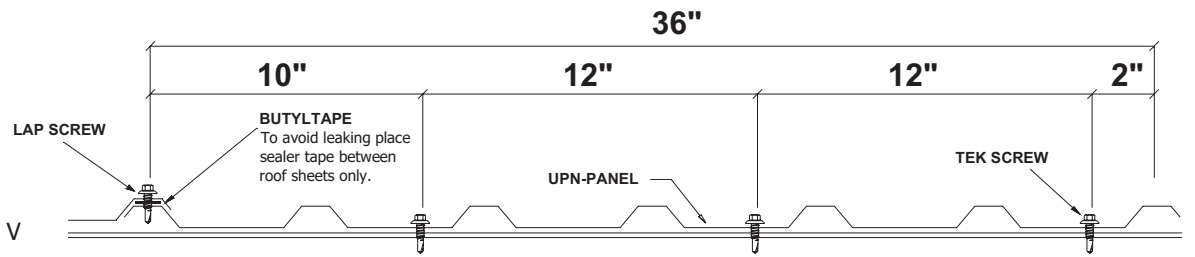
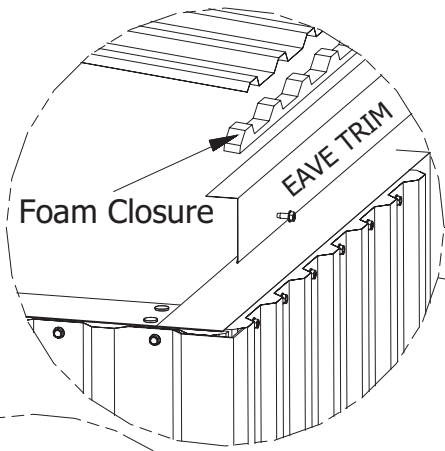
DETAIL S



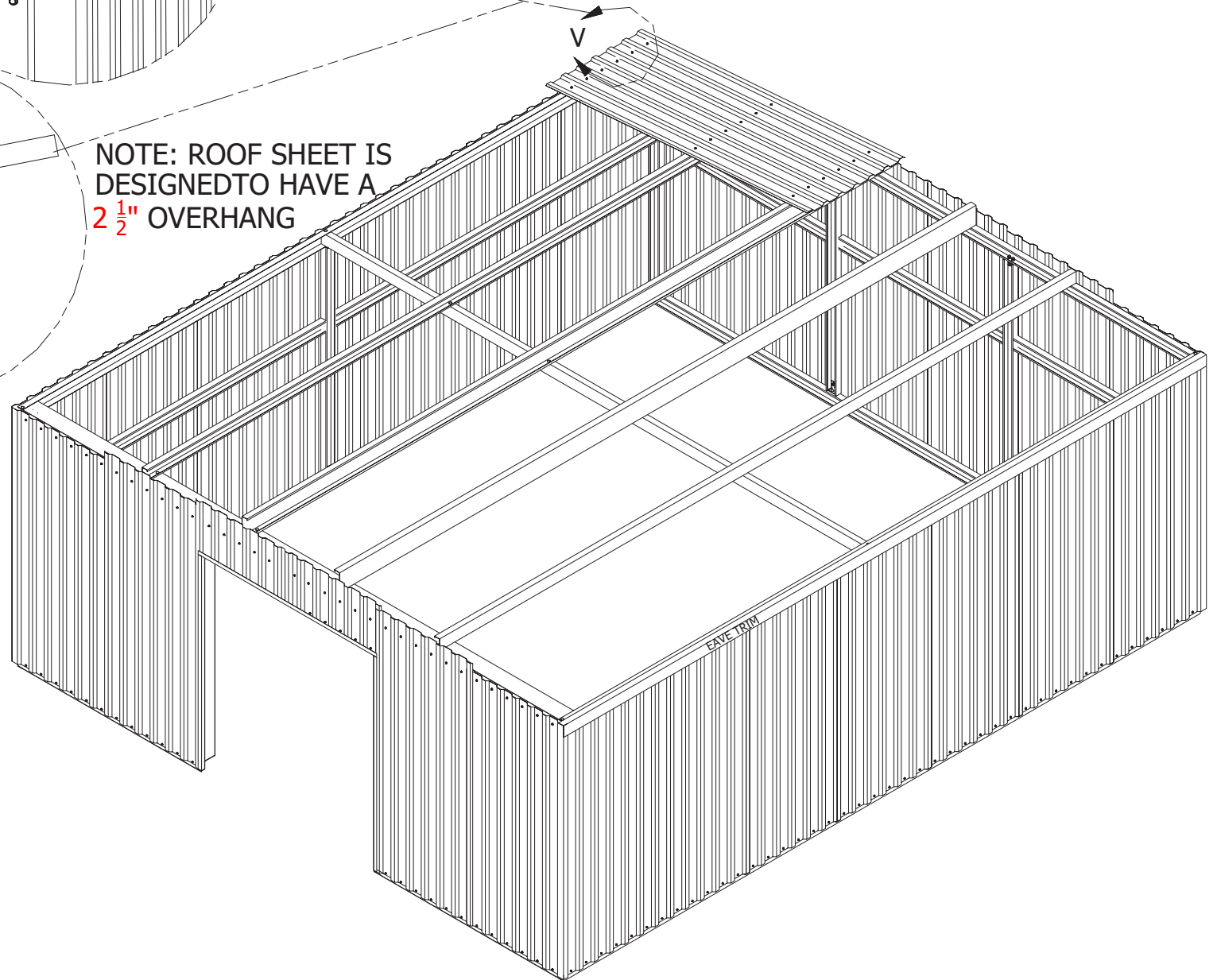
**NOTE: IF A FLOOR KIT WAS PURCHASED PLEASE ADD THE KIT PRIOR TO SHEETING. THE INSTRUCTIONS CAN BE FOUND ON P.24 & P.25**

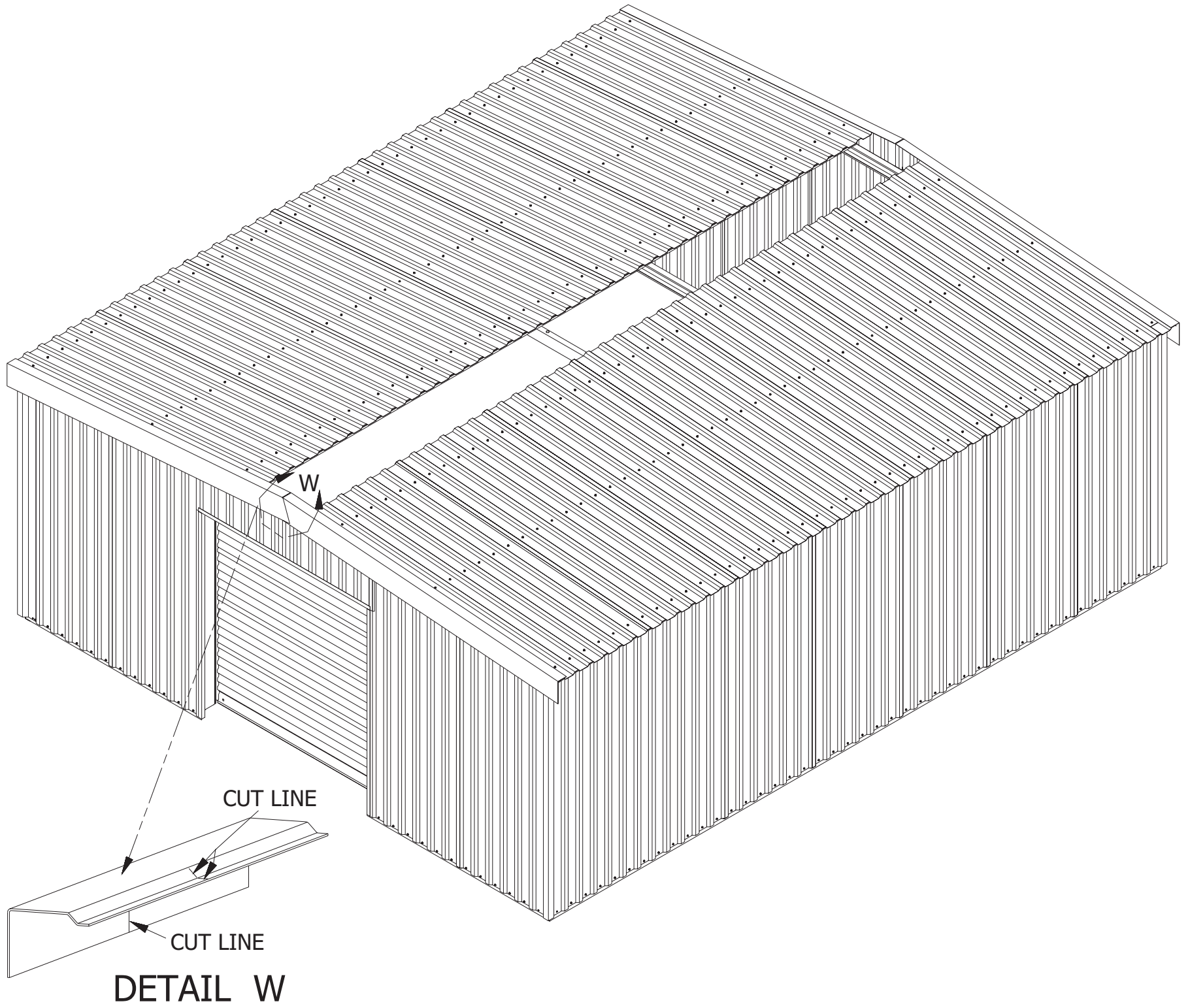


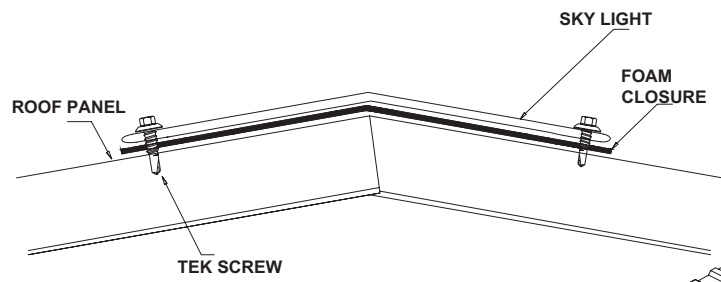




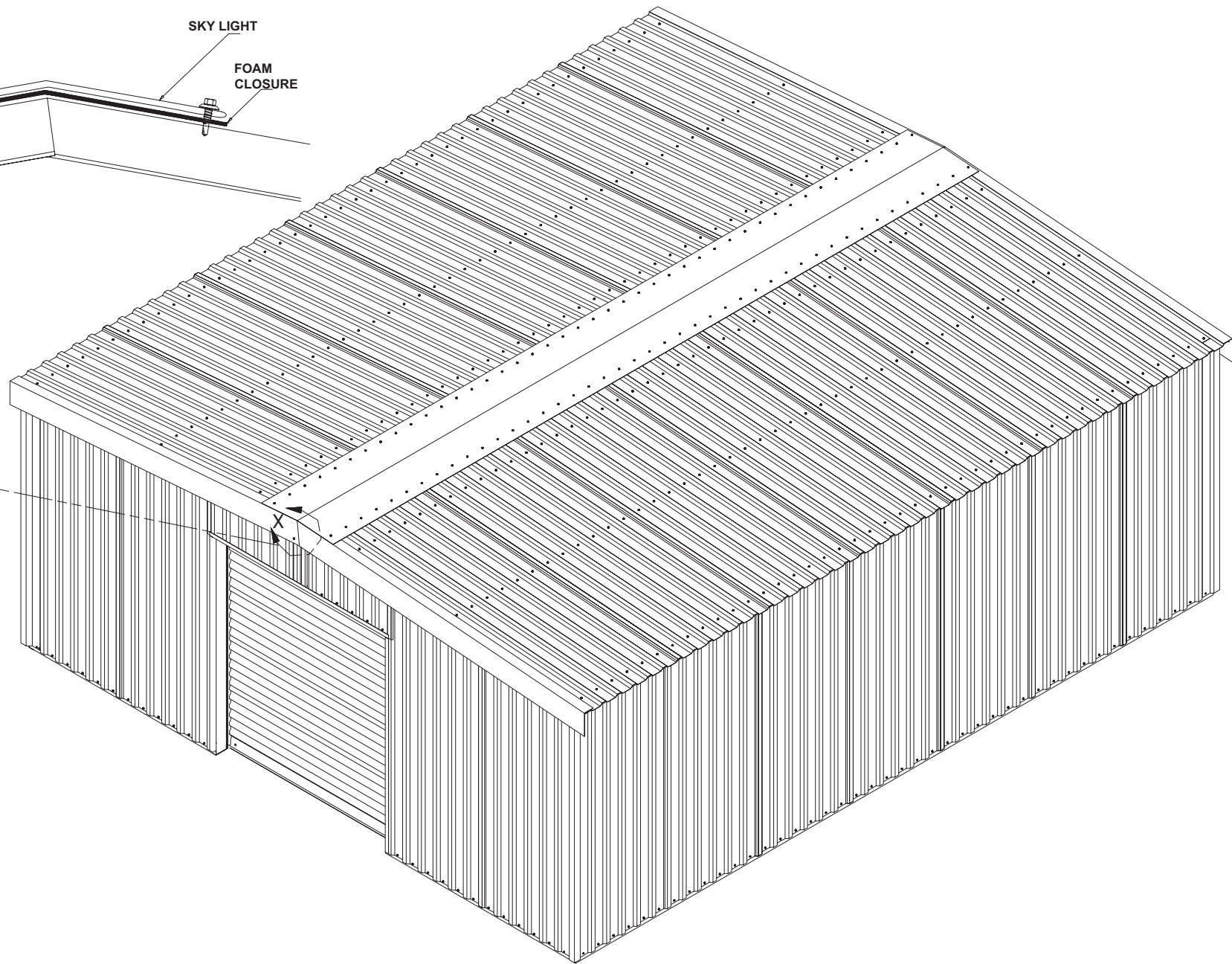
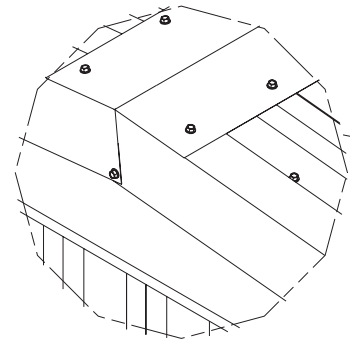
NOTE: ROOF SHEET IS DESIGNED TO HAVE A 2 1/2" OVERHANG

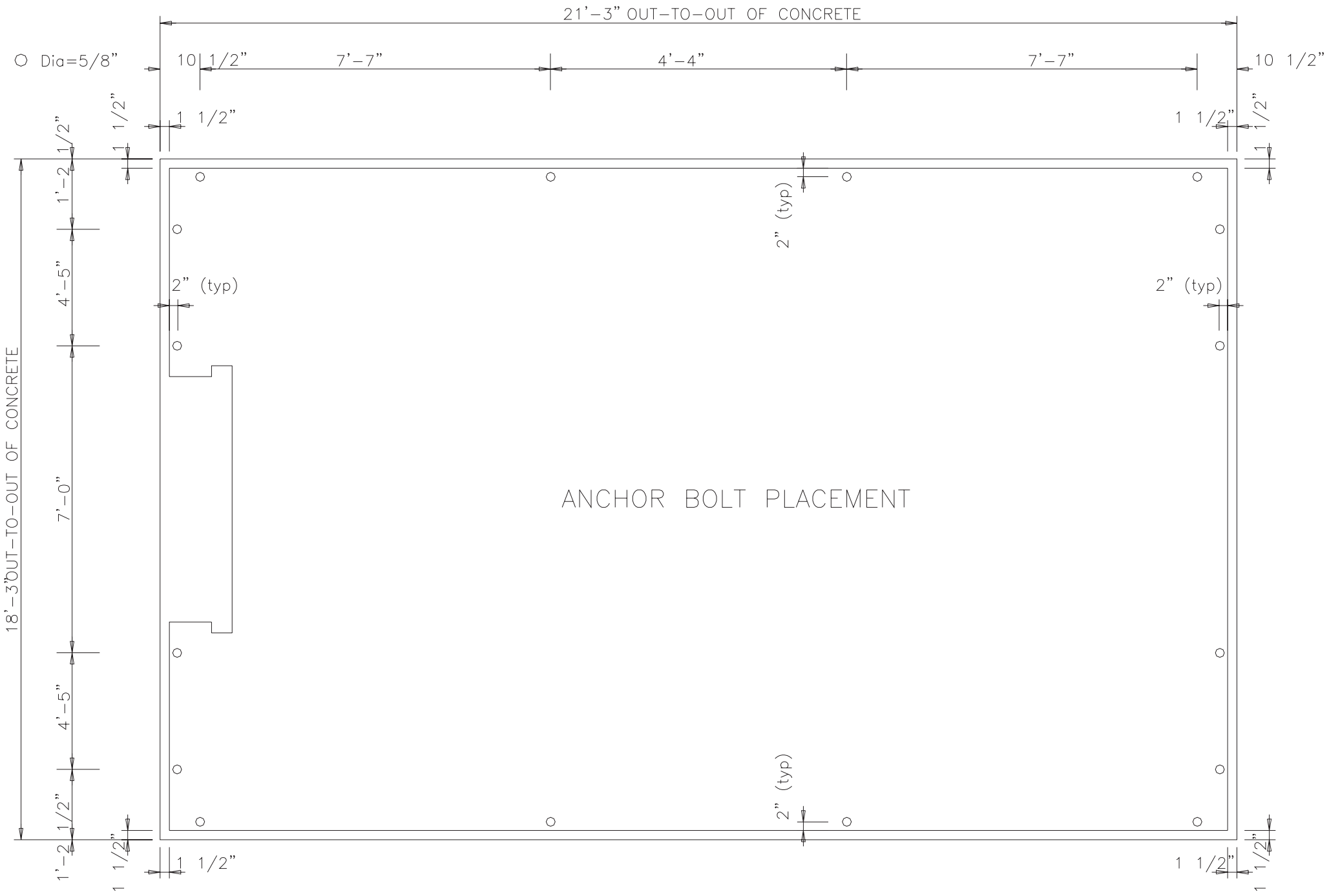






DETAIL X

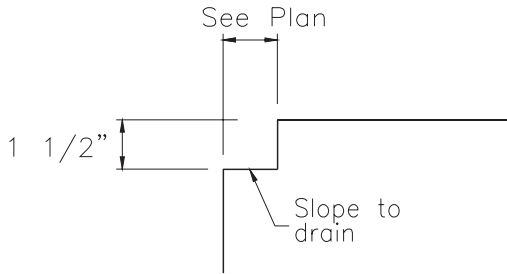




# ANCHOR BOLT PLACEMENT DETAILS

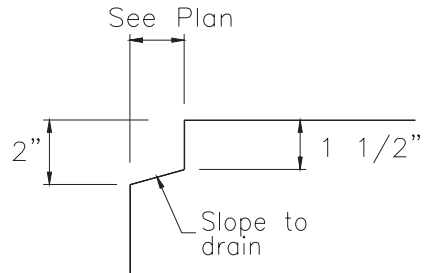
## SPECIAL NOTE:

One of the methods below must be used to maintain your Edge Creep Warrantee. See erection details for additional information.



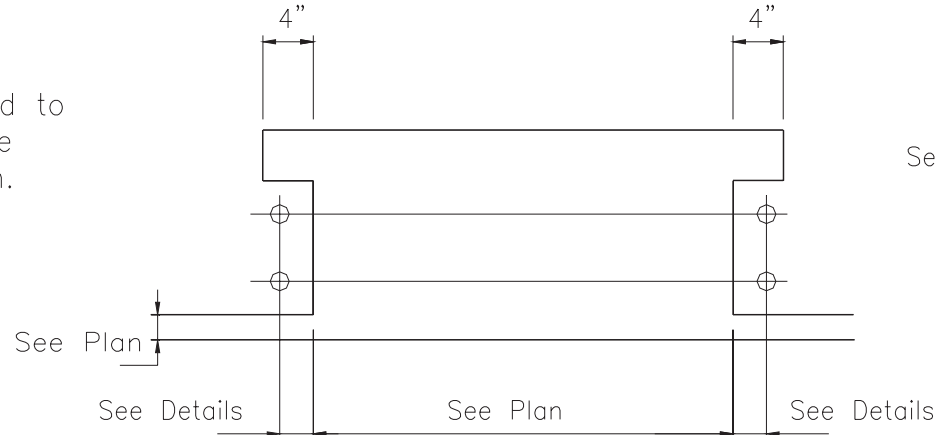
TYP. SHEETING RECESS WITH  
BASE DRIP EDGE TRIM

Base Drip Edge Trim must be used to maintain Edge Creep Warrantee.

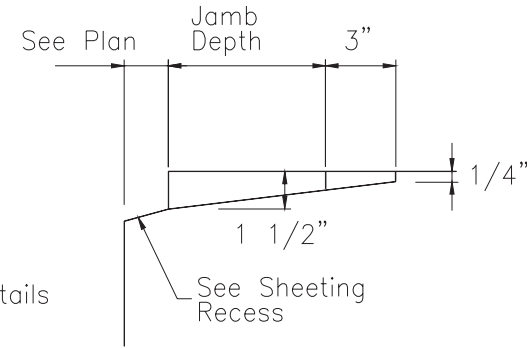


TYP. SHEETING RECESS  
WITHOUT BASE DRIP EDGE TRIM

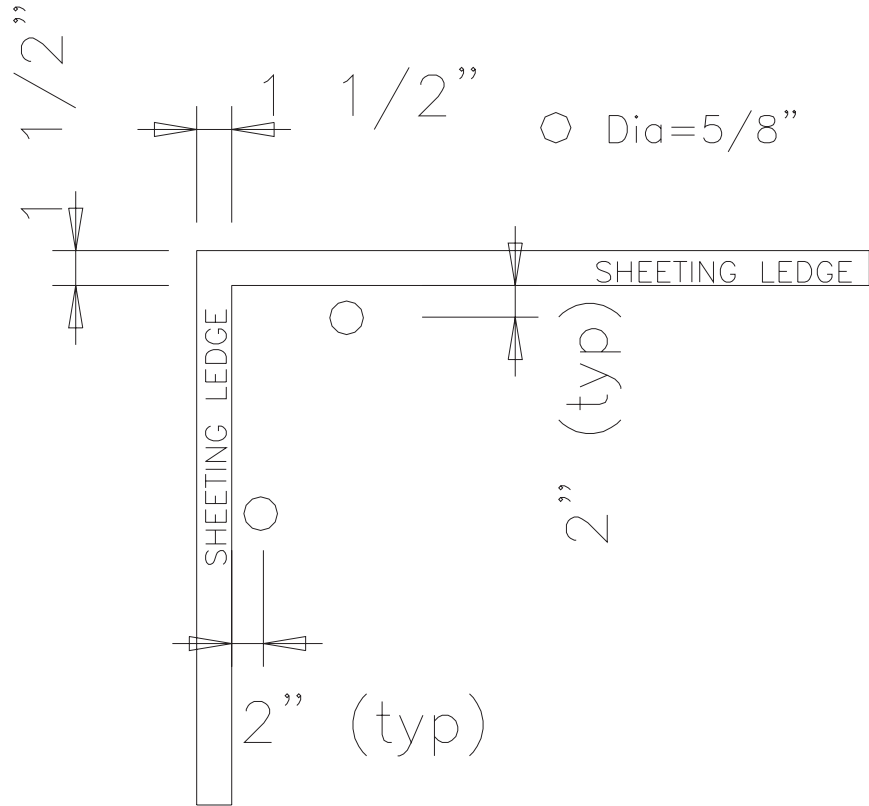
Base Drip Edge Trim not required to maintain Edge Creep Warrantee.



O. H. DOOR BOLT LAYOUT



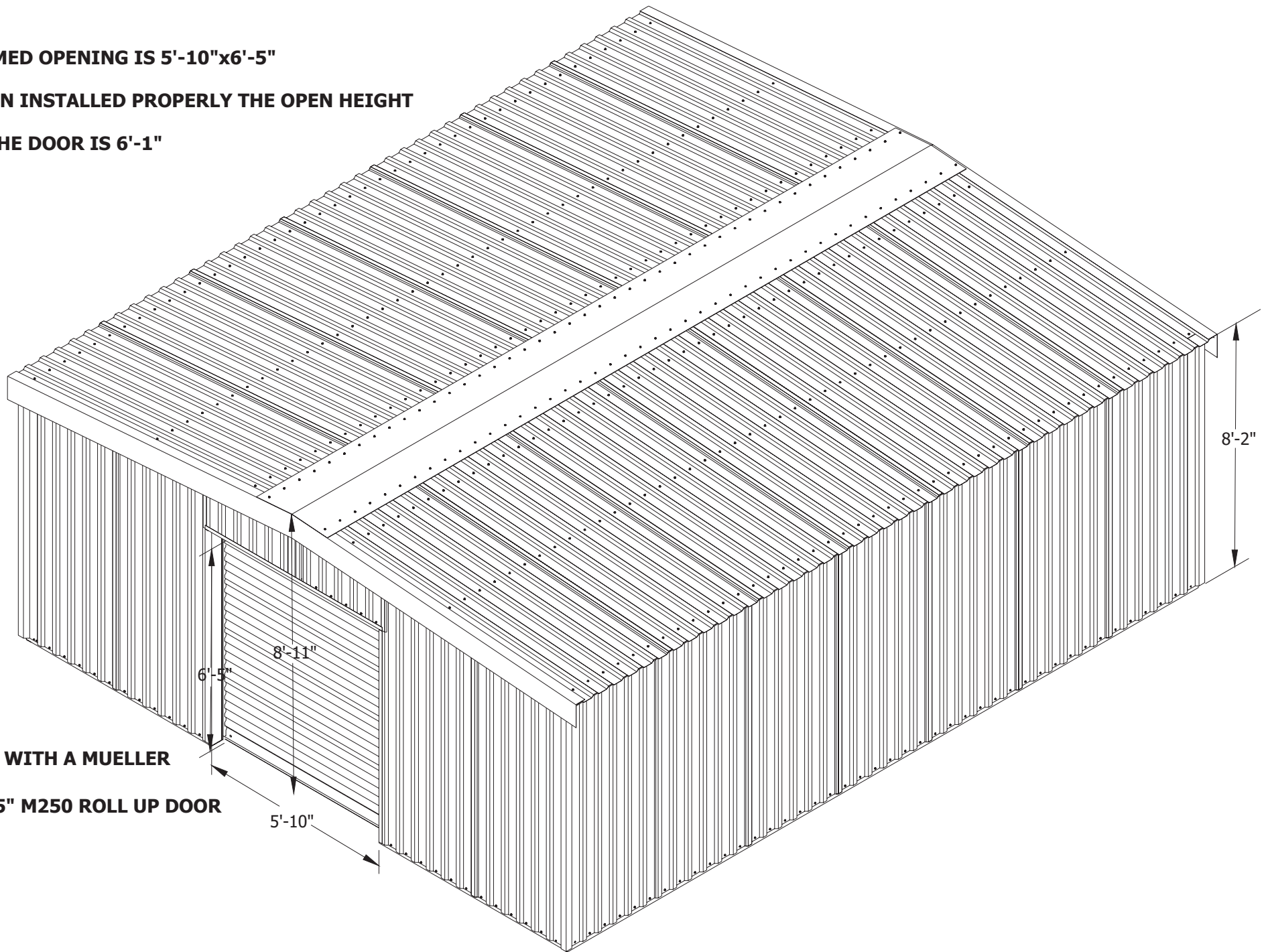
TYP. O. H. DOOR RECESS



**FRAMED OPENING IS 5'-10"x6'-5"**

**WHEN INSTALLED PROPERLY THE OPEN HEIGHT**

**OF THE DOOR IS 6'-1"**



8'-2"

8'-11"

6'-5"

5'-10"

5'-9 1/2"

**KIT COMES WITH A MUELLER**

**5'-9 1/2" x 6'-5" M250 ROLL UP DOOR**