



MUPELLER, INC.

METAL BUILDINGS, ROOFING & COMPONENTS

877-2-MUELLER

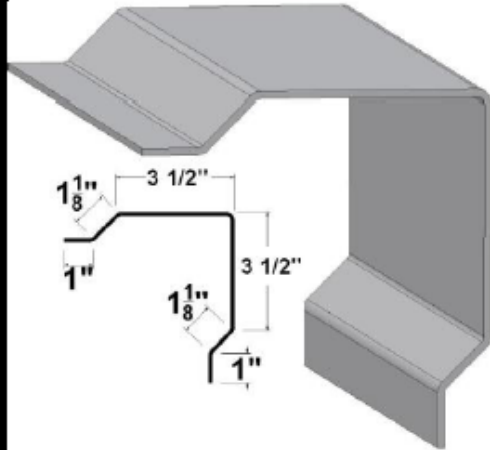
www.MuellerInc.com

**24x24 BACK YARD KIT BLDG
(BYK) with 8' Door**

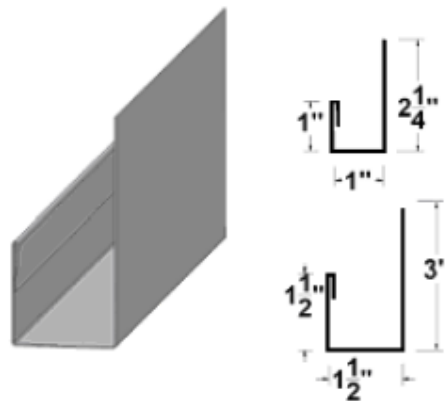
**Mueller BYK buildings do not meet any specific code or engineering criteria.
These buildings are intended to be erected in geographical locations which
do not require engineered loads.**

TRIM PAGE

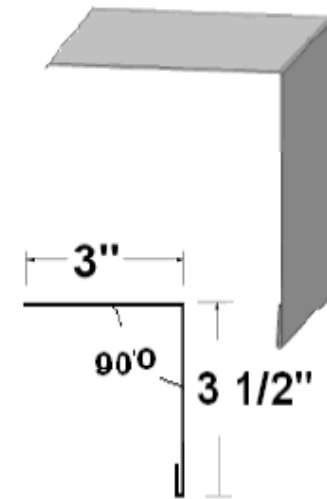
Outside Corner # 0150
UPN – CFP – APN 11.25"



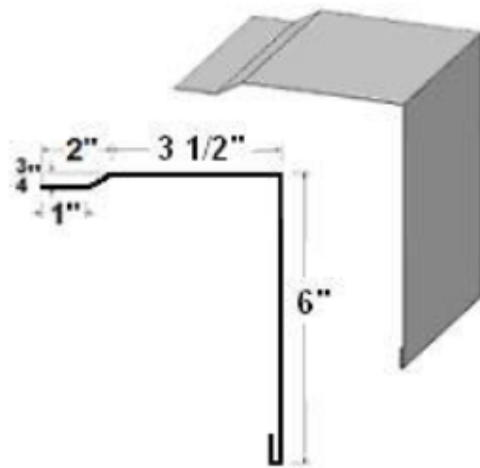
Door Head # 0300 & 0320
4.5" - 6.5"



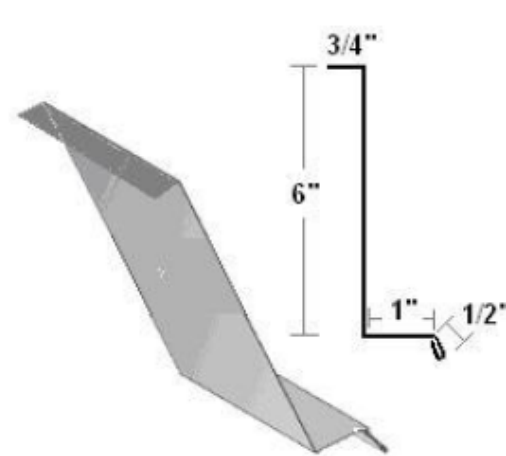
MNB Eave #0801 7"



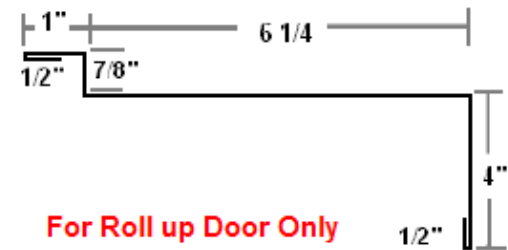
MNB OS Rake #1700 12"



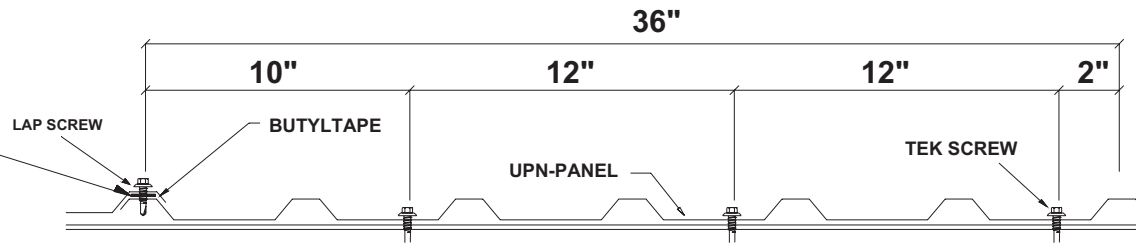
MNB IS Rake #1701 8.75"



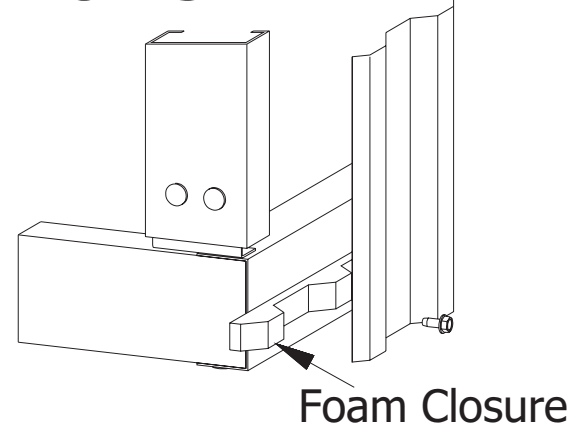
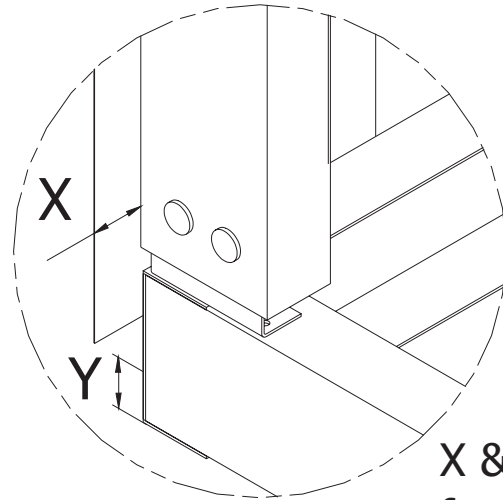
MNB RUD Flashing #1702
13.125"



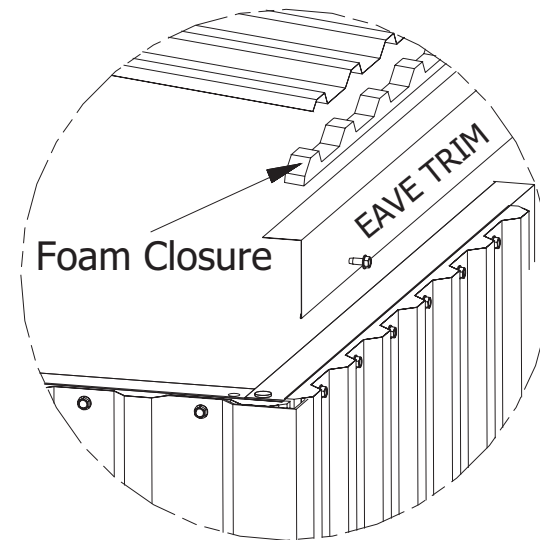
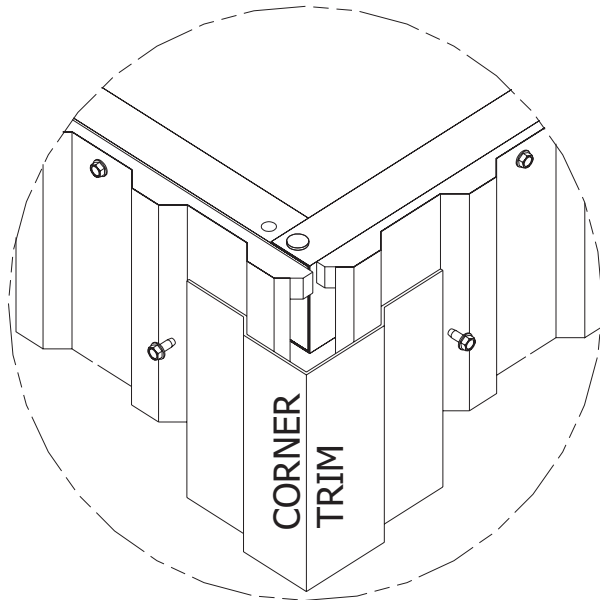
To avoid leaking place sealer tape between roof sheets only.



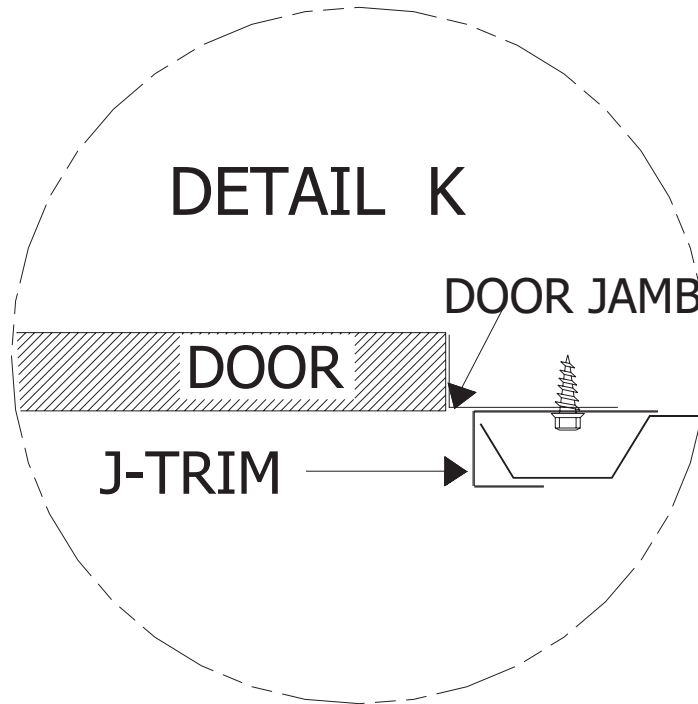
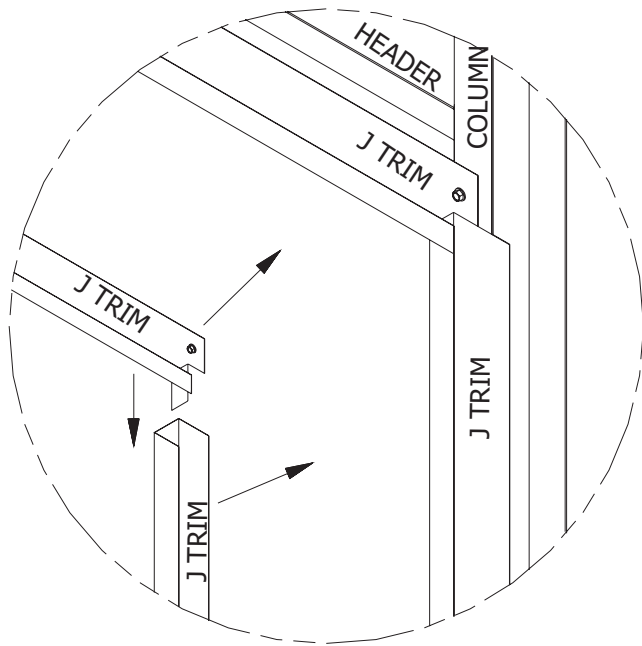
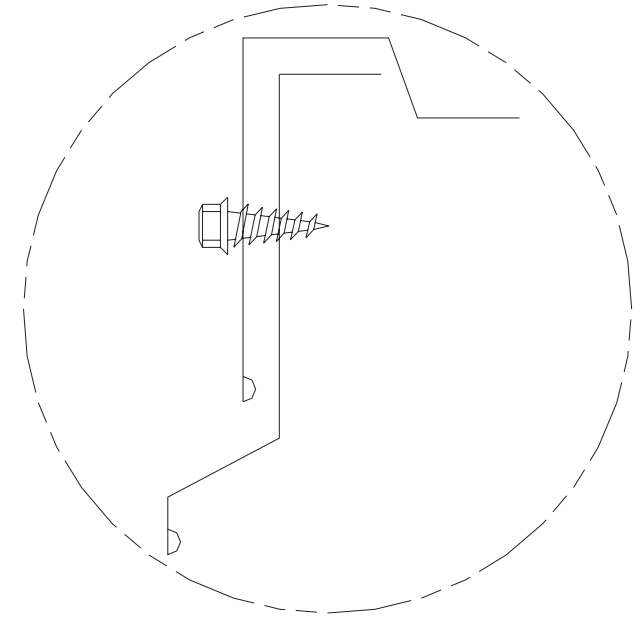
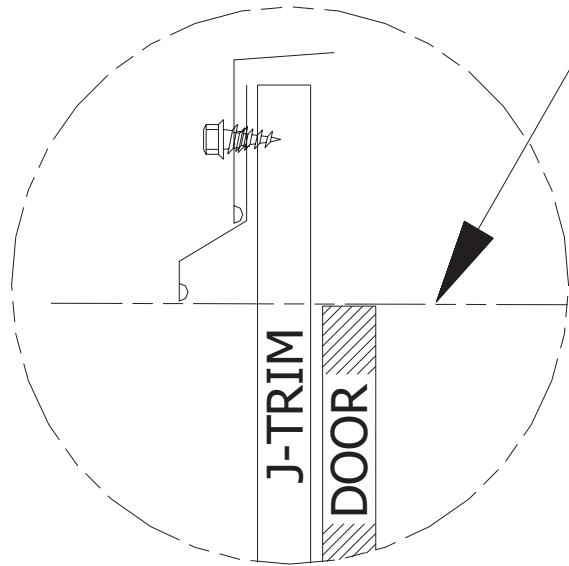
BACK SIDE VIEW



X & Y Dimensions are located further in the instructions

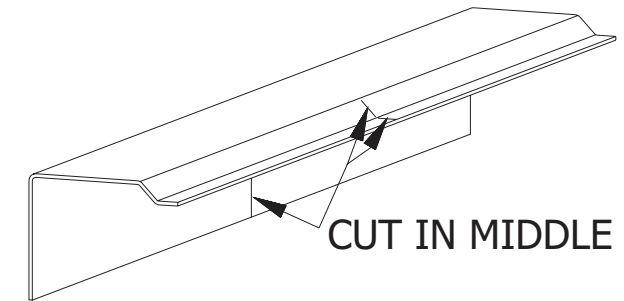
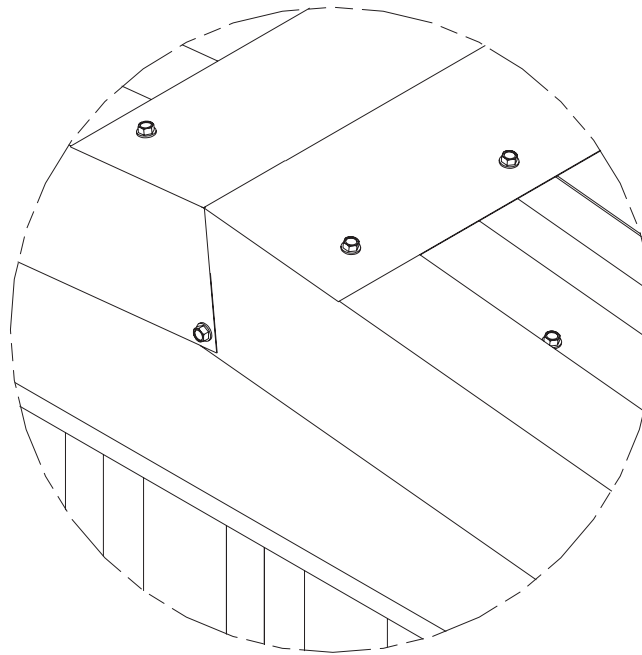
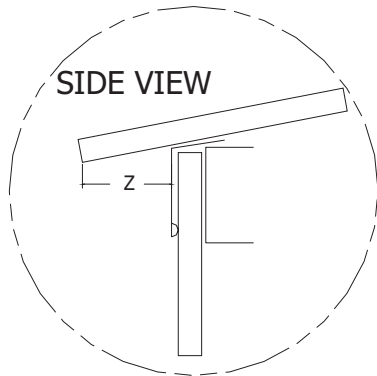
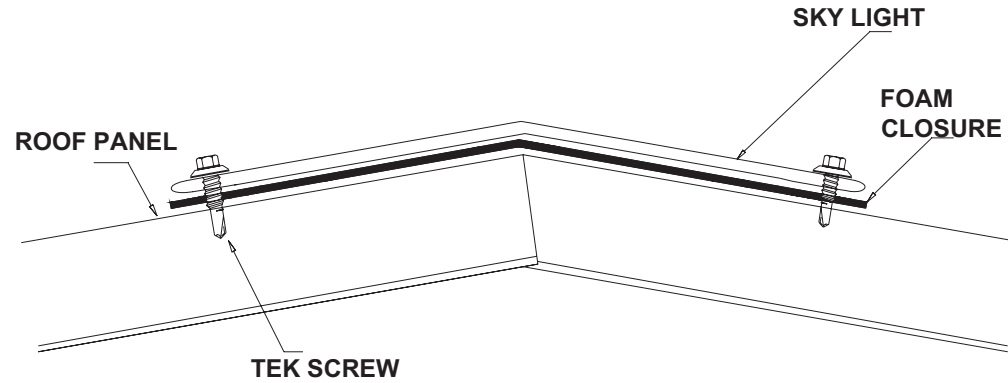
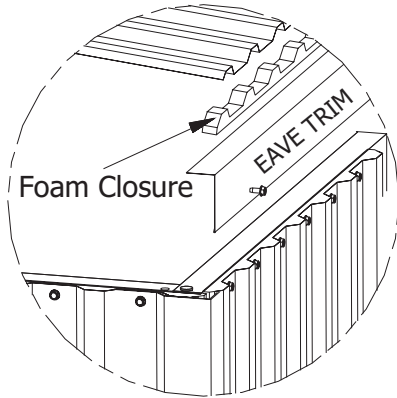
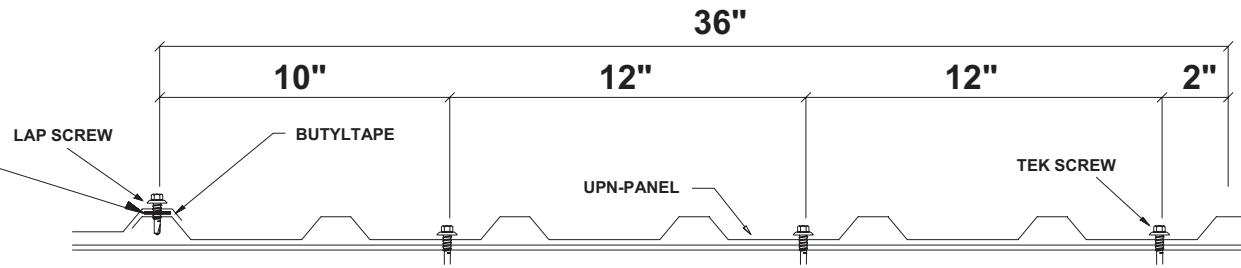


DOOR SHOULD BE LOWER THAN BOTTOM OF TRIM

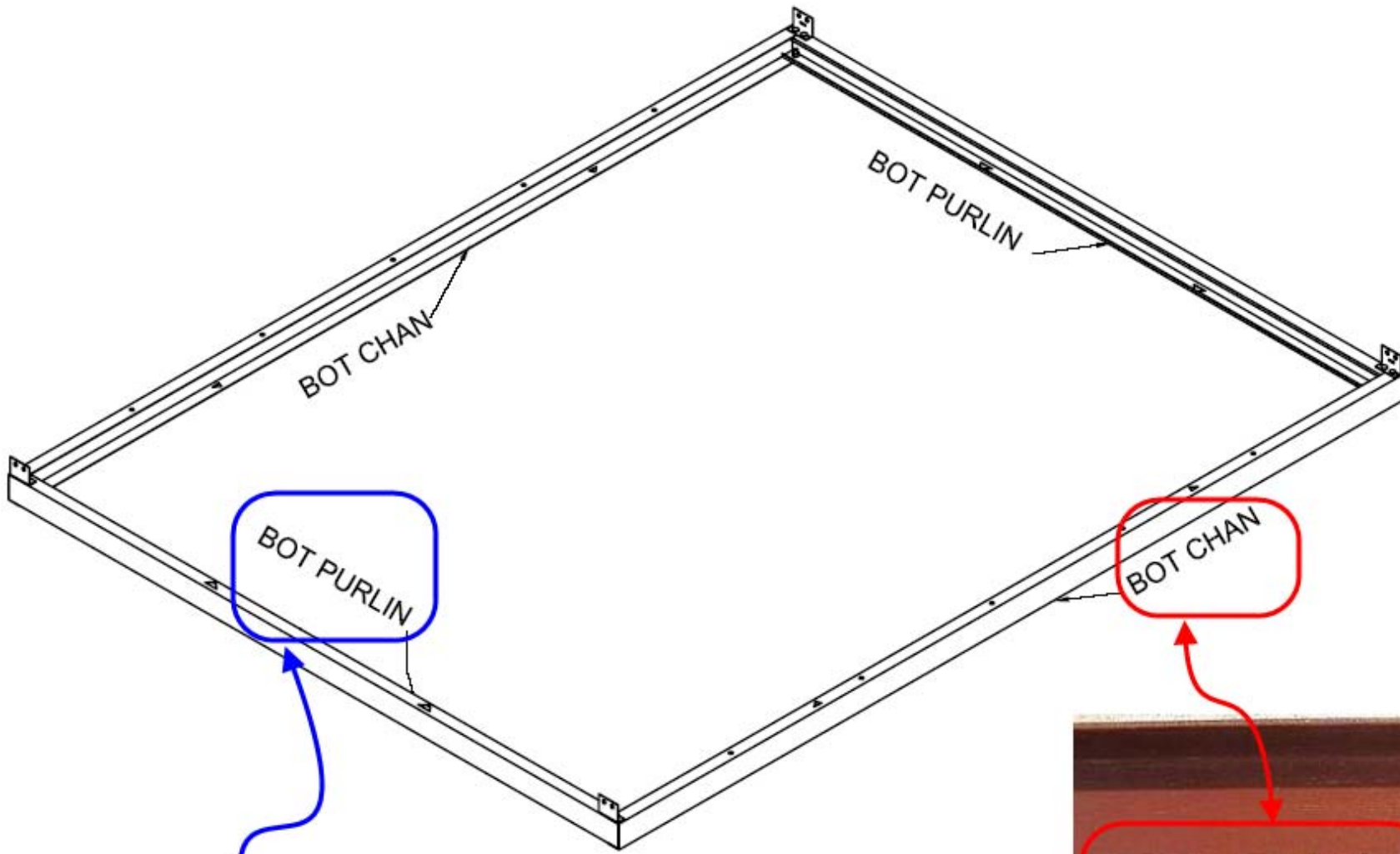


**NOTE FOR DOOR SIDE SHEETING ONLY:
START SHEET FLUSH WITH J-TRIM
ON BOTH SIDES OF DOOR**

To avoid leaking place sealer tape between roof sheets only.

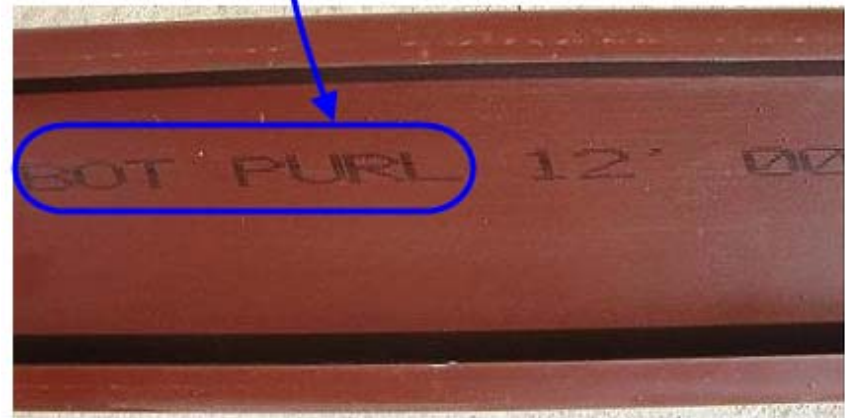


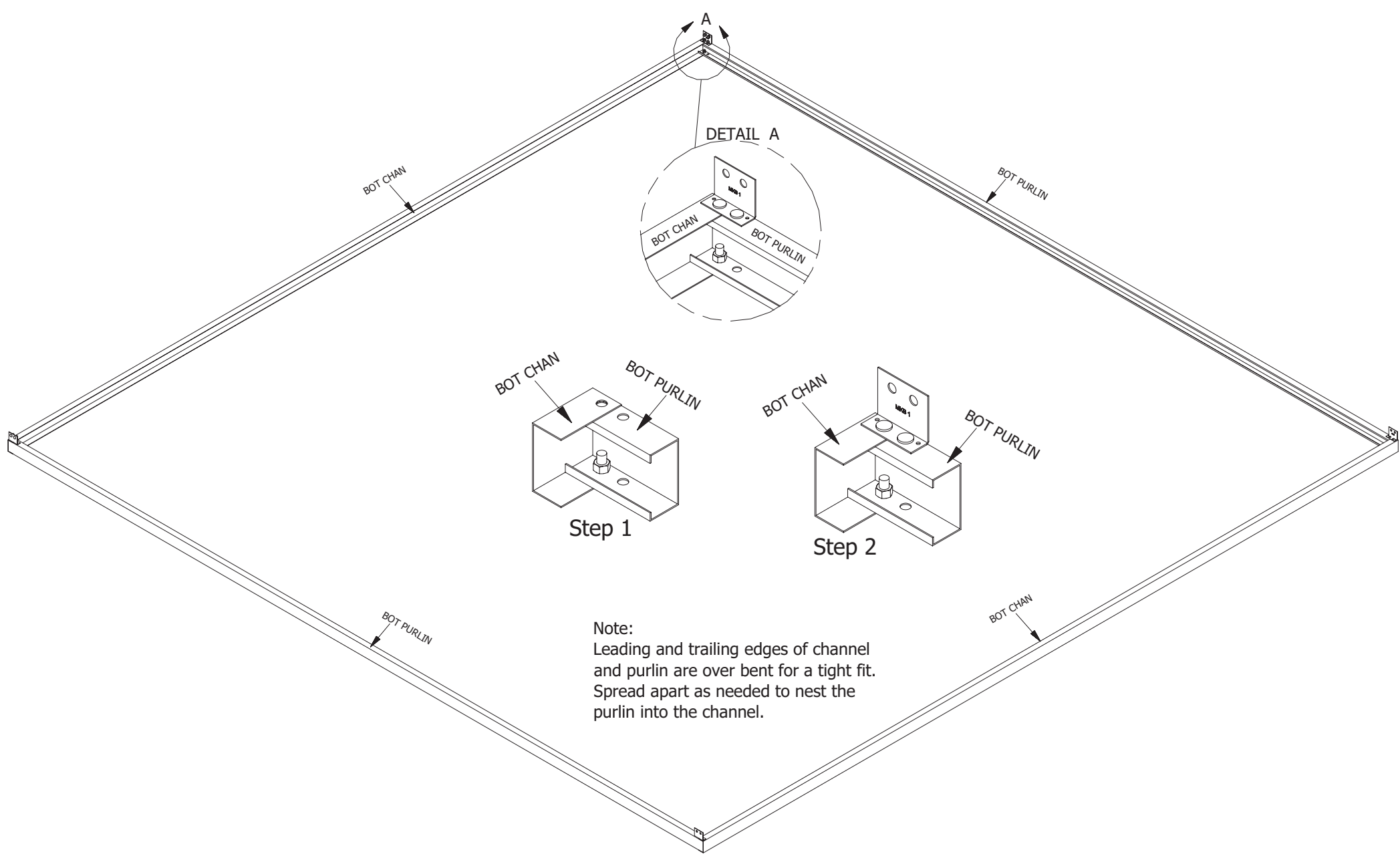
"Z" Dimensions can be found Later in the instructions



BOT PURLIN

BOT CHAN





DETAIL A

BOT CHAN

BOT PURLIN

BOT CHAN

BOT PURLIN

BOT CHAN

BOT PURLIN

Step 1

BOT CHAN

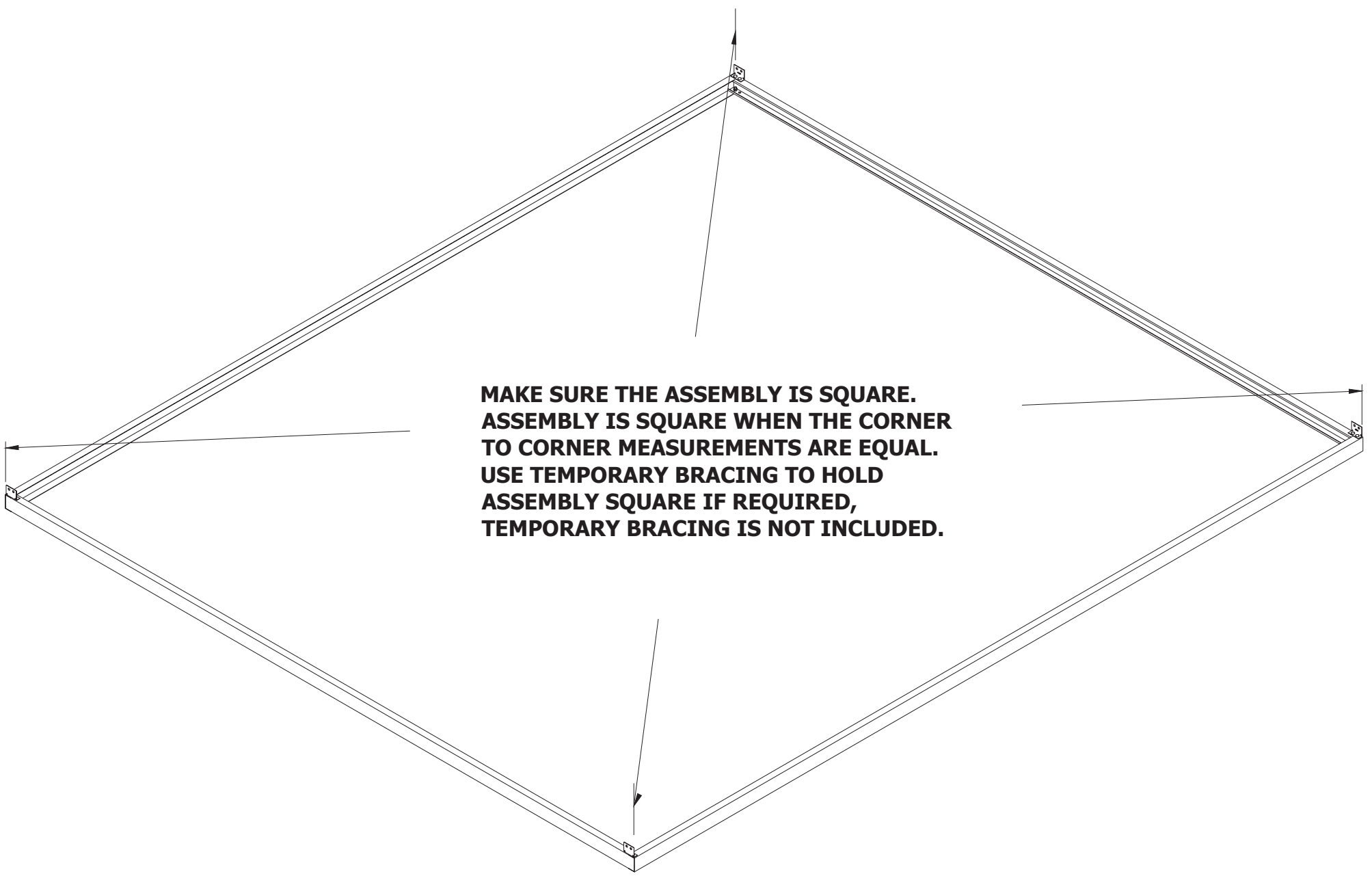
BOT PURLIN

Step 2

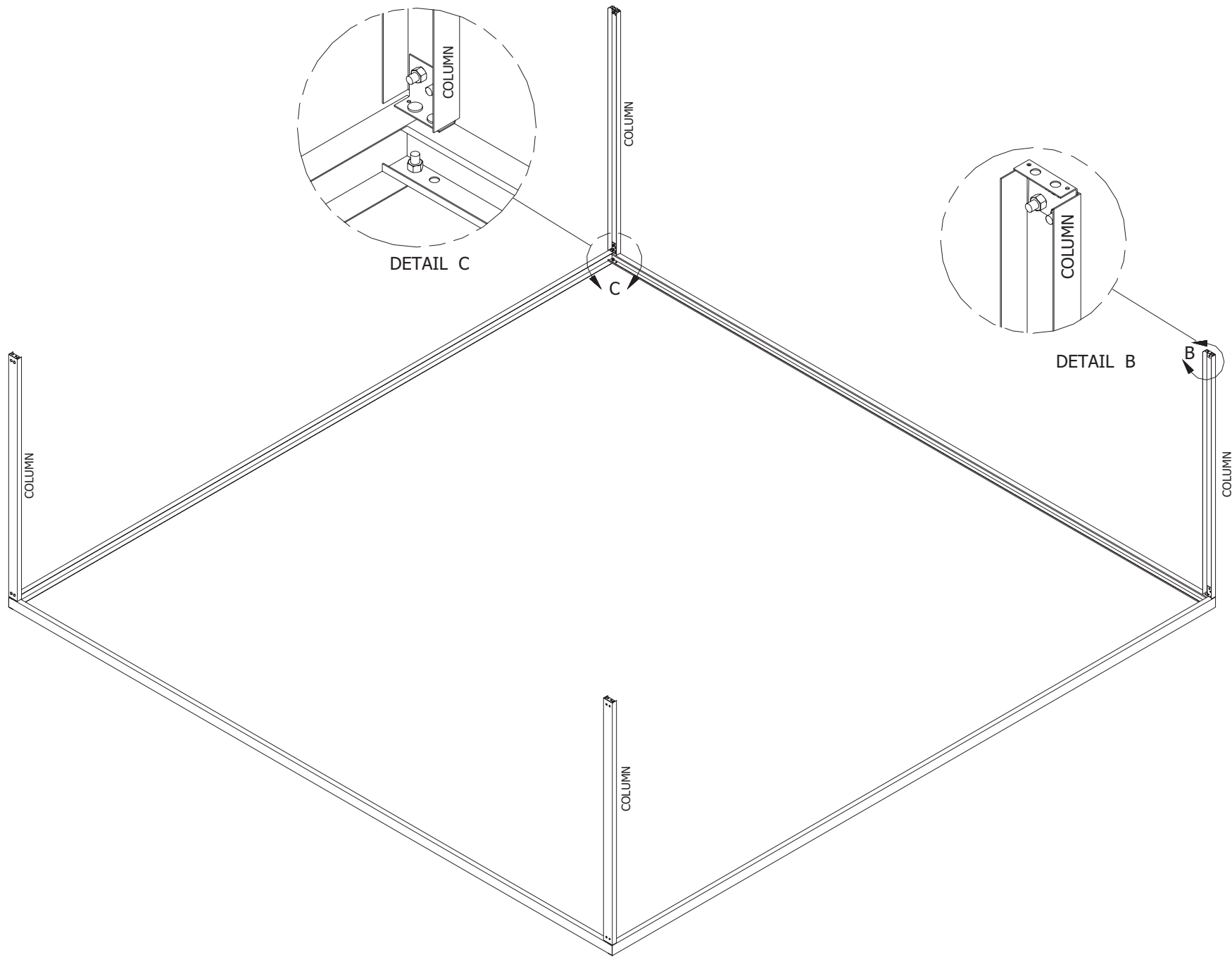
BOT PURLIN

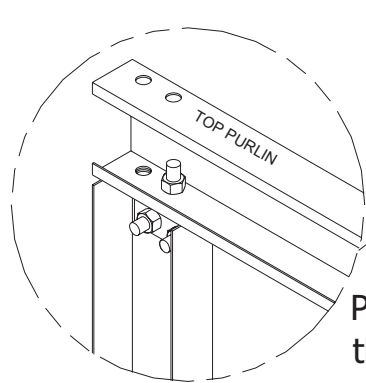
BOT CHAN

Note:
Leading and trailing edges of channel
and purlin are over bent for a tight fit.
Spread apart as needed to nest the
purlin into the channel.



**MAKE SURE THE ASSEMBLY IS SQUARE.
ASSEMBLY IS SQUARE WHEN THE CORNER
TO CORNER MEASUREMENTS ARE EQUAL.
USE TEMPORARY BRACING TO HOLD
ASSEMBLY SQUARE IF REQUIRED,
TEMPORARY BRACING IS NOT INCLUDED.**

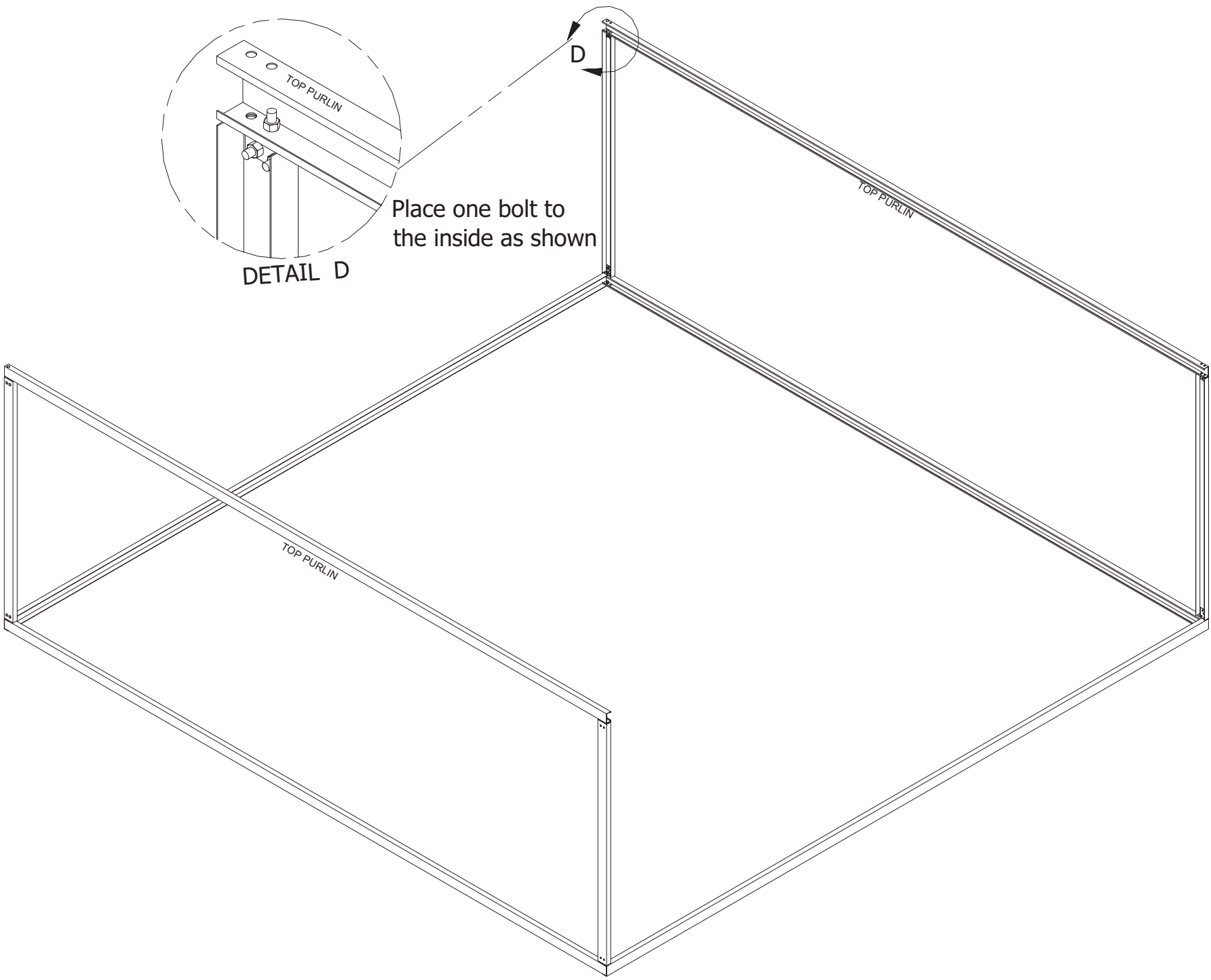


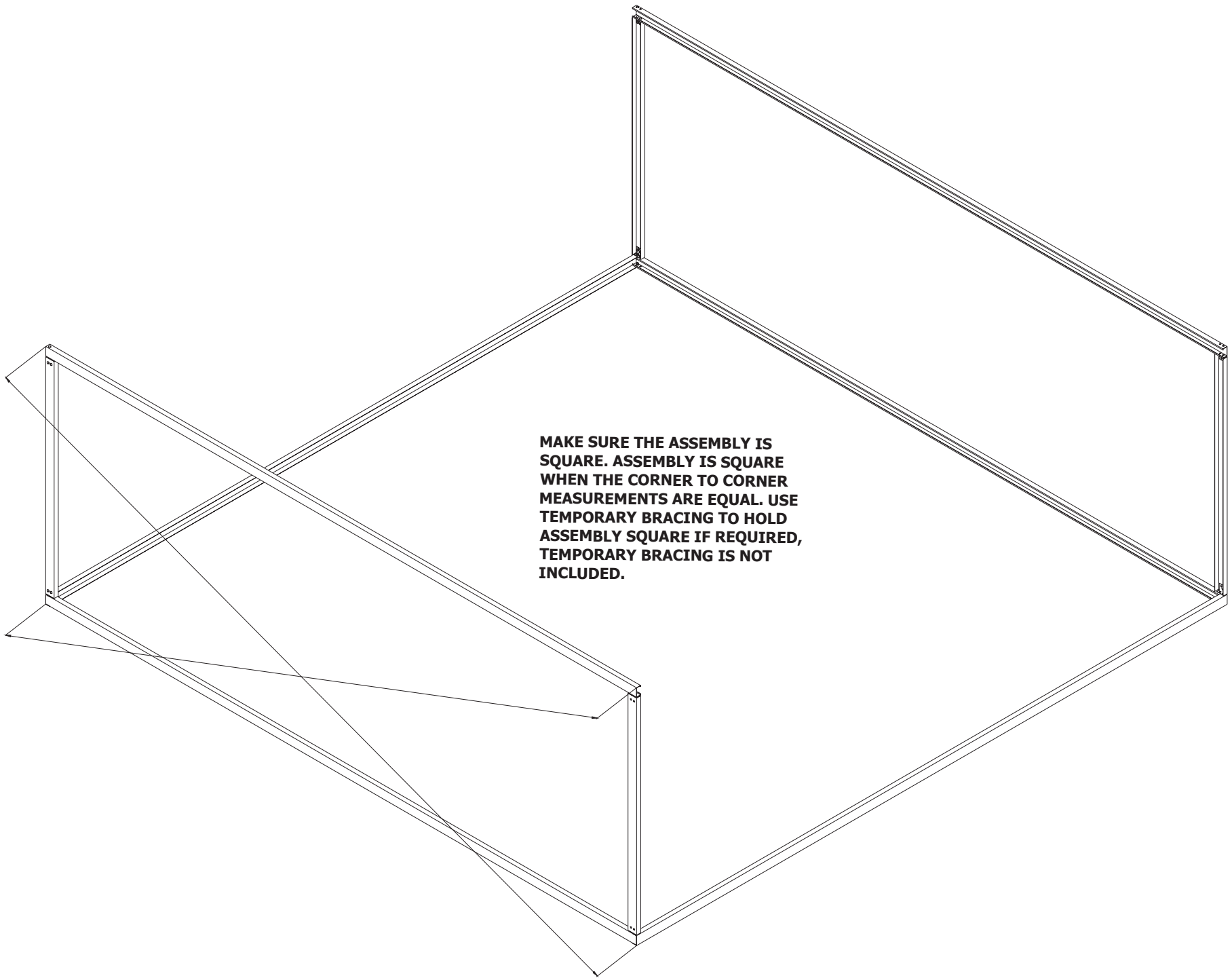


DETAIL D

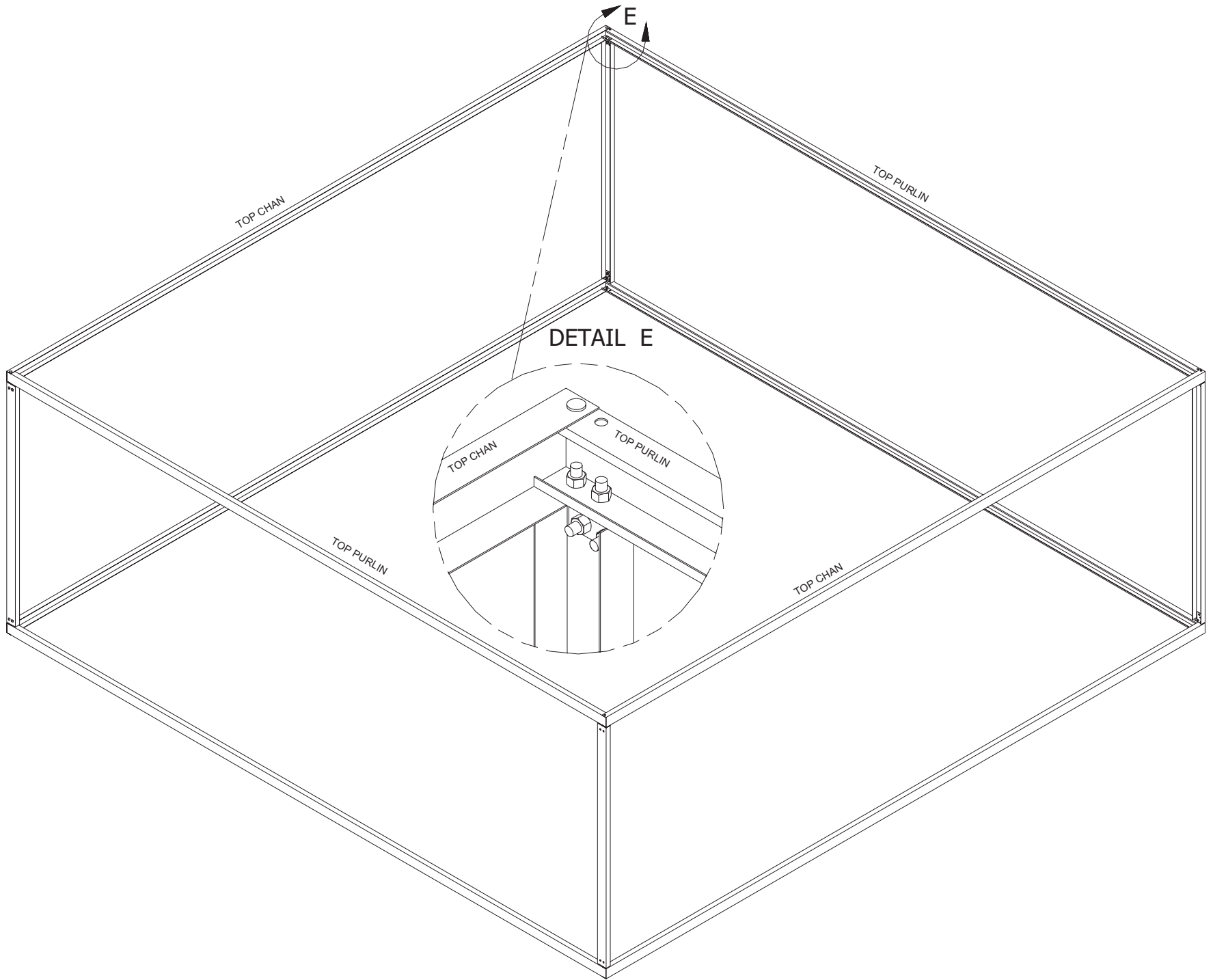
Place one bolt to the inside as shown

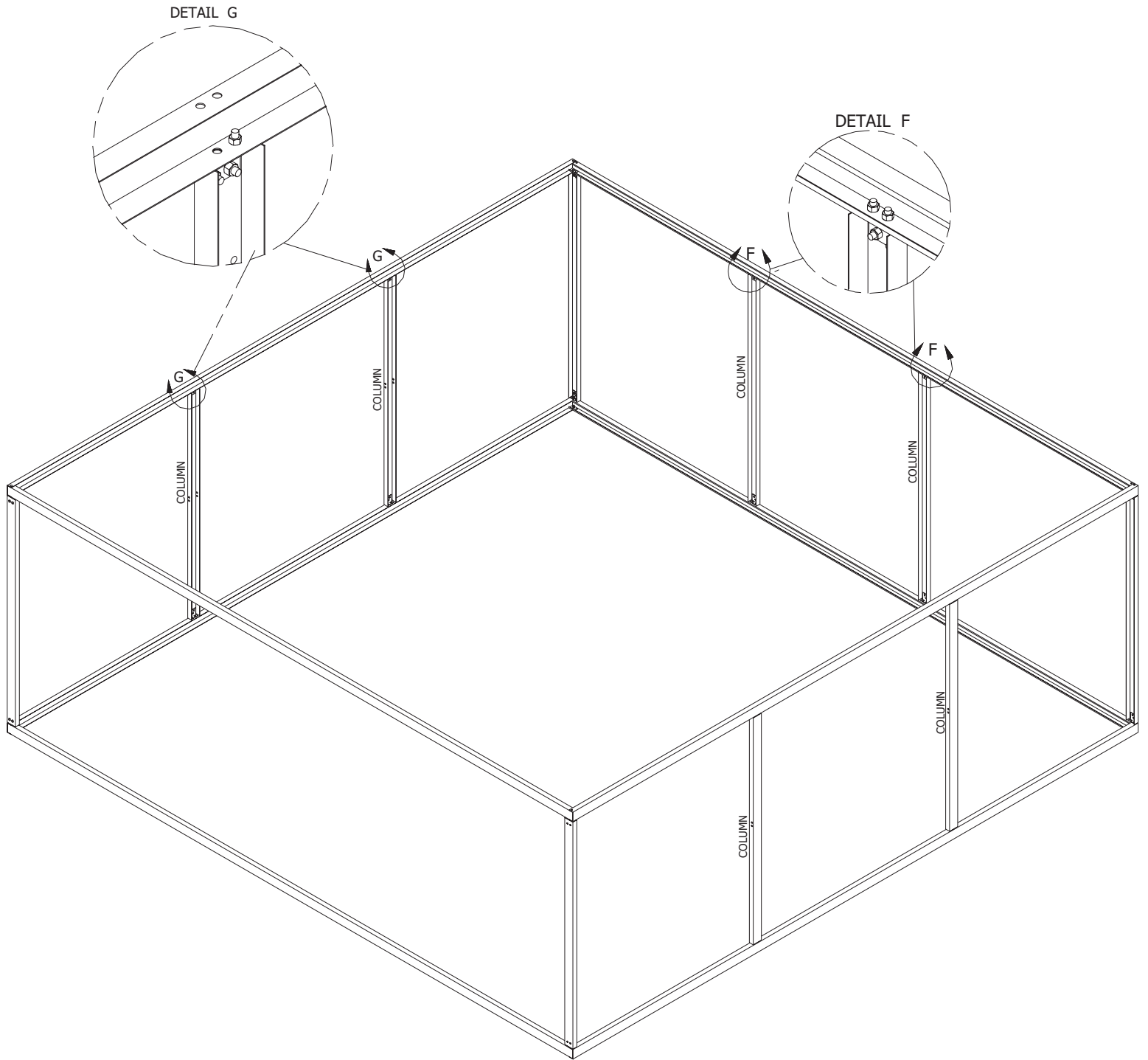
D

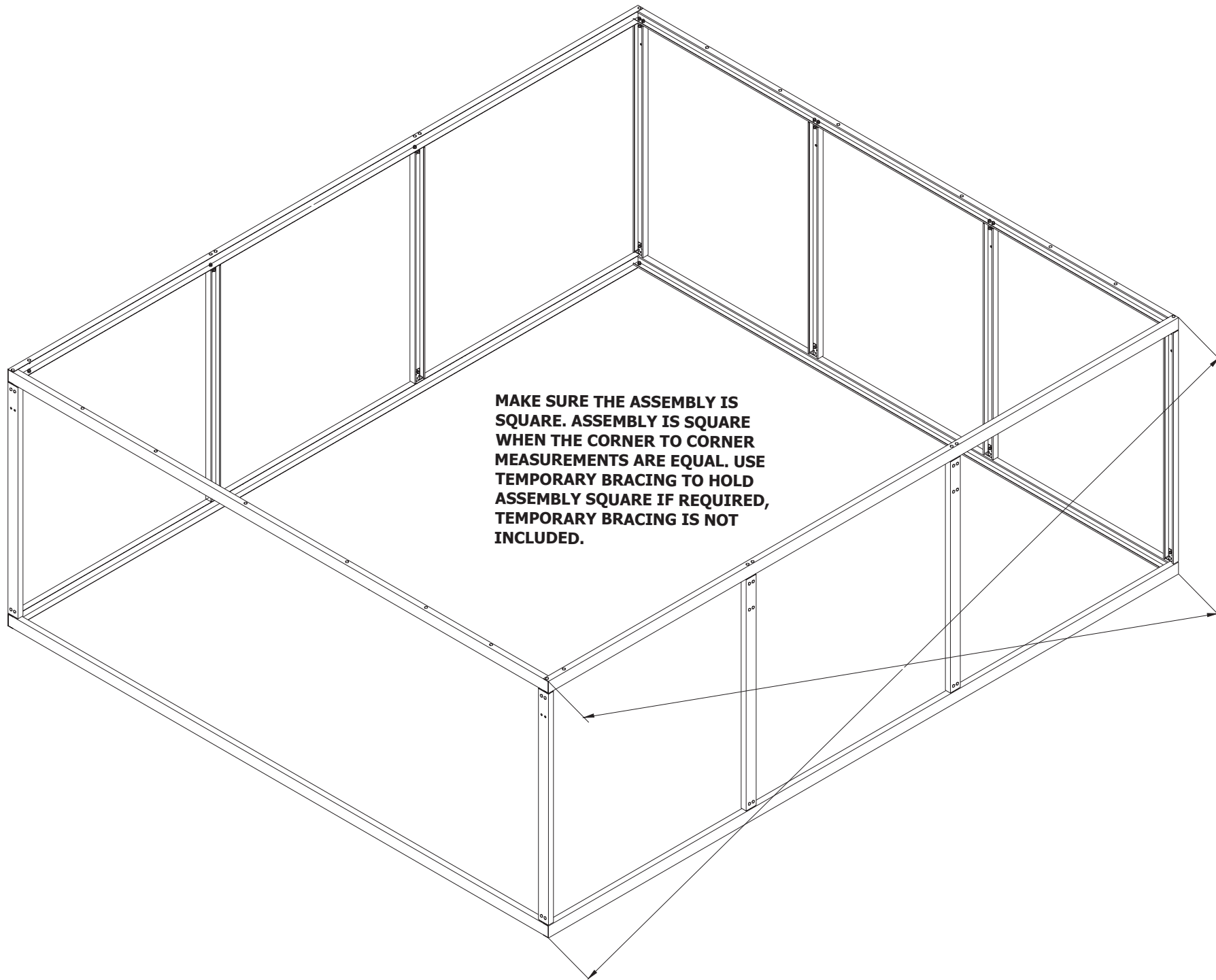




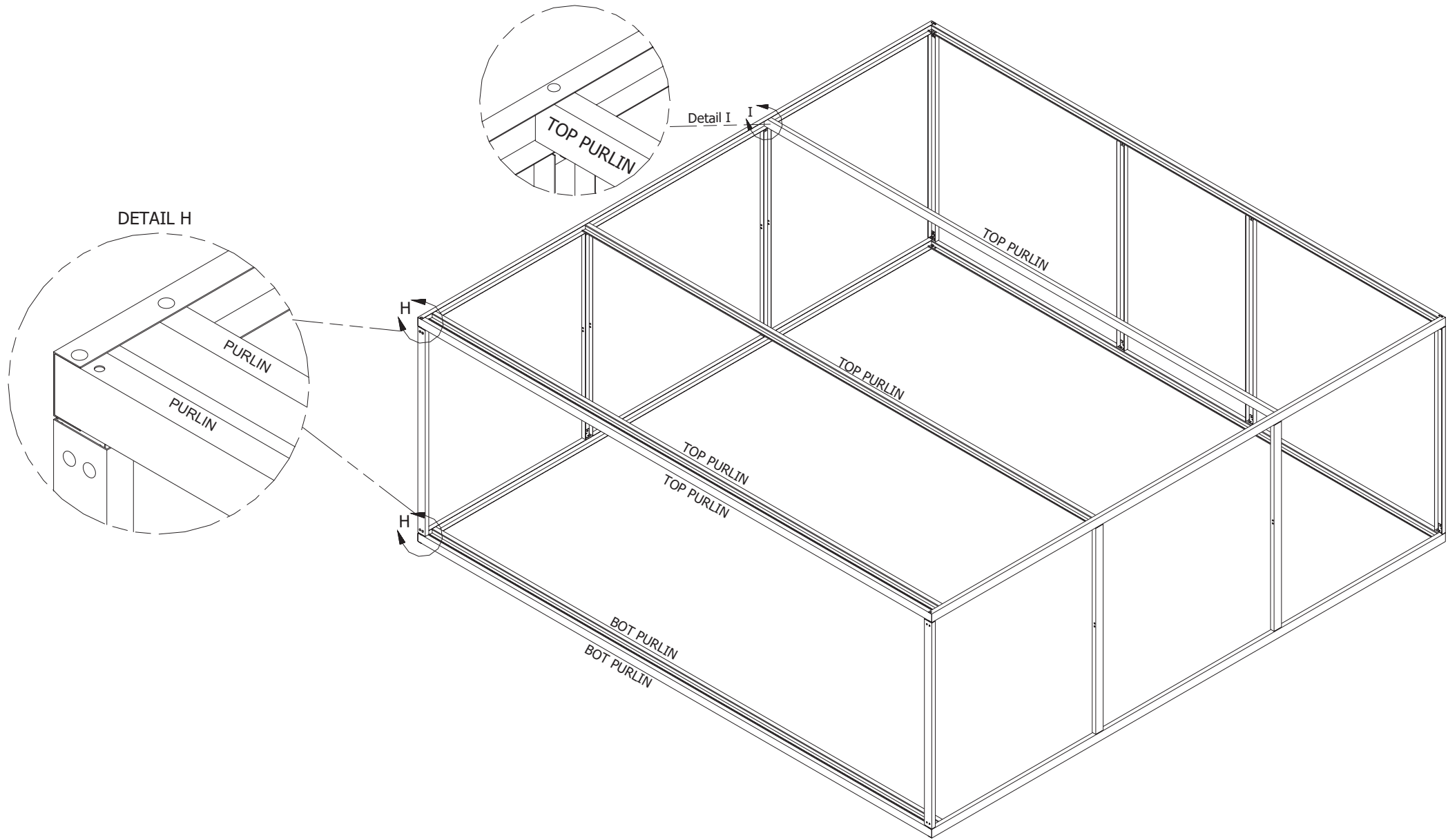
**MAKE SURE THE ASSEMBLY IS
SQUARE. ASSEMBLY IS SQUARE
WHEN THE CORNER TO CORNER
MEASUREMENTS ARE EQUAL. USE
TEMPORARY BRACING TO HOLD
ASSEMBLY SQUARE IF REQUIRED,
TEMPORARY BRACING IS NOT
INCLUDED.**

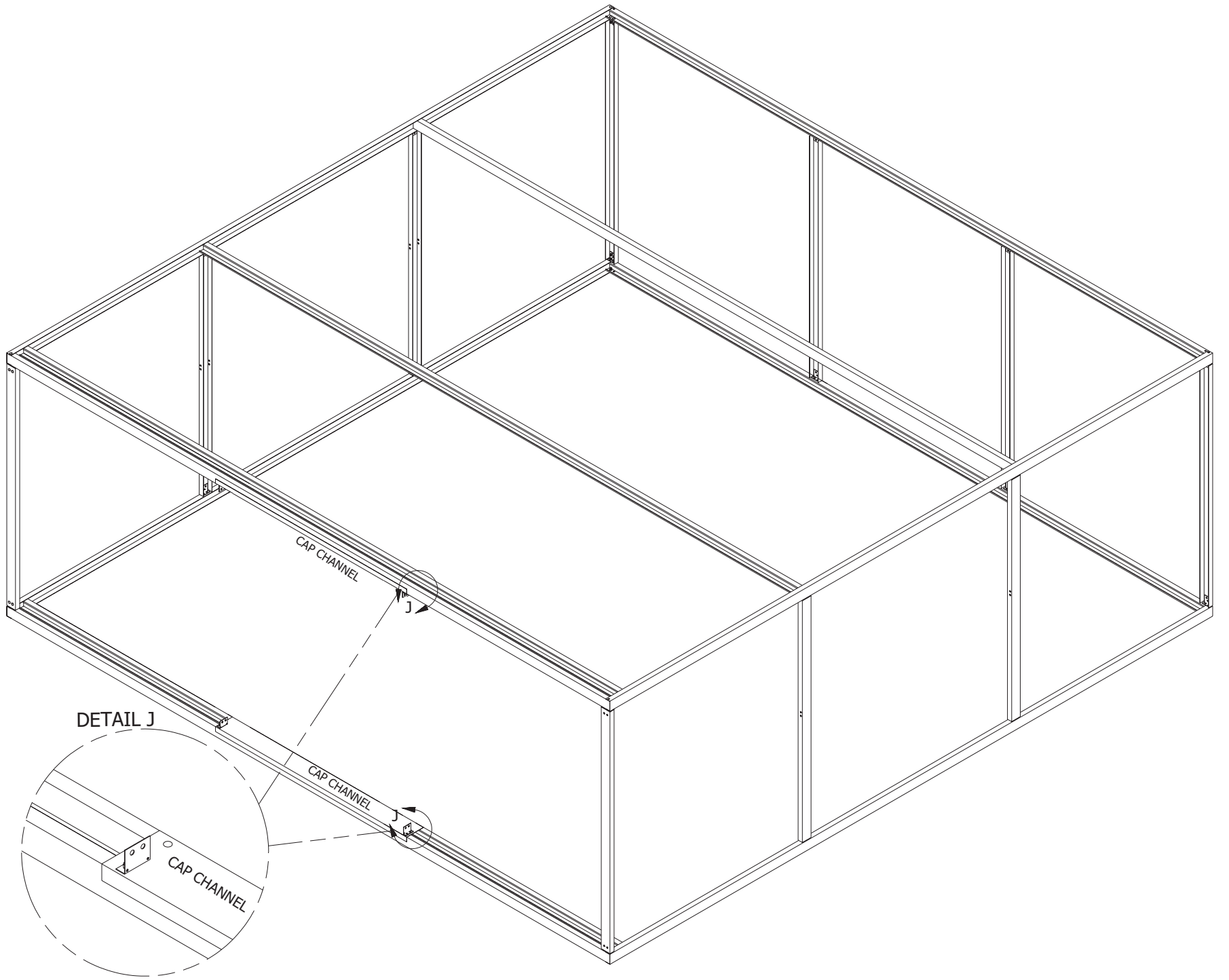


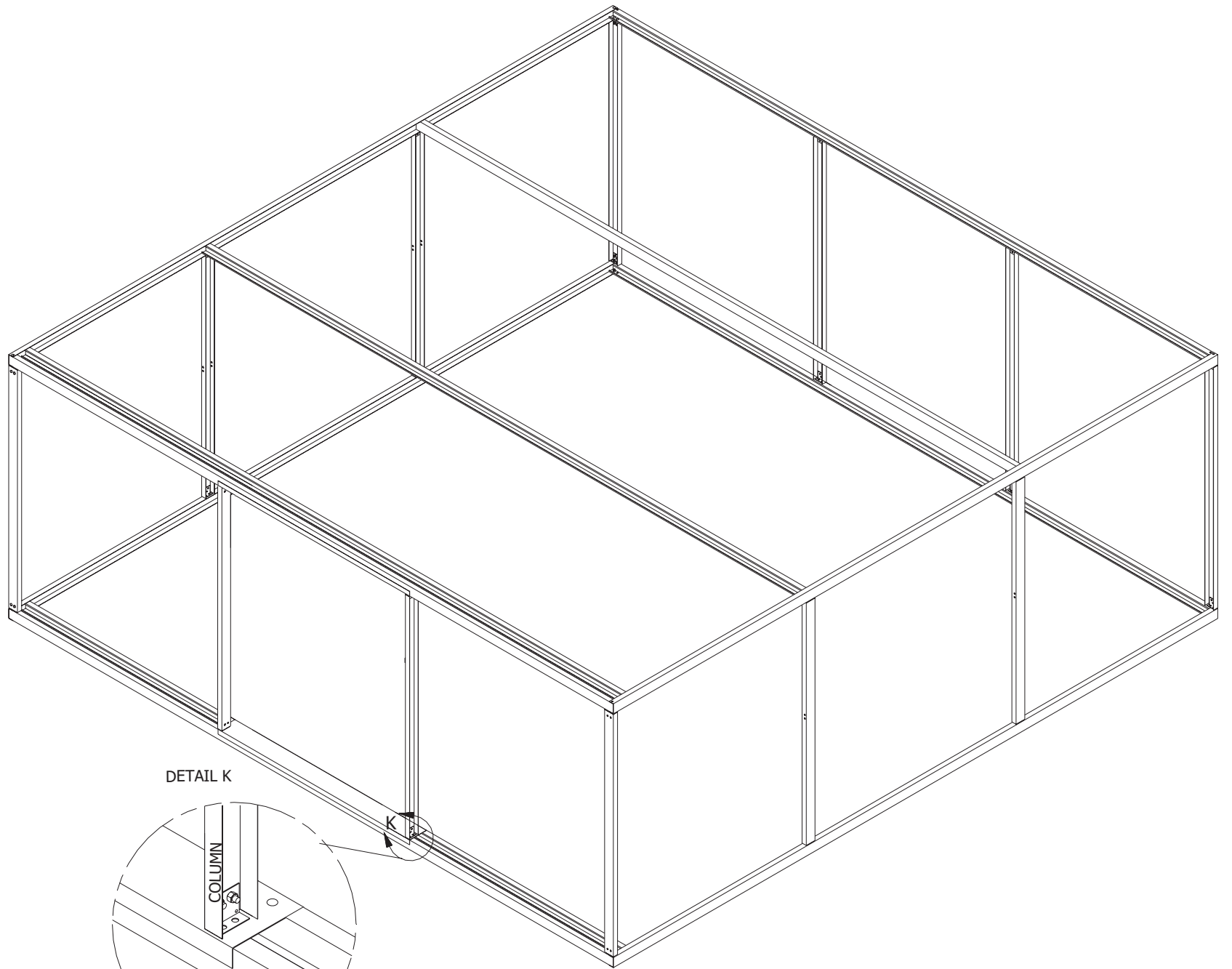




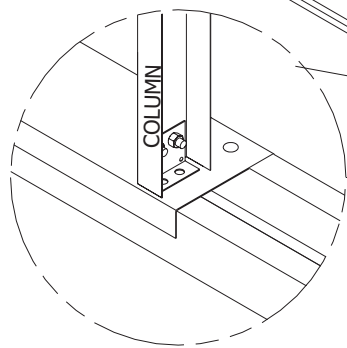
MAKE SURE THE ASSEMBLY IS SQUARE. ASSEMBLY IS SQUARE WHEN THE CORNER TO CORNER MEASUREMENTS ARE EQUAL. USE TEMPORARY BRACING TO HOLD ASSEMBLY SQUARE IF REQUIRED, TEMPORARY BRACING IS NOT INCLUDED.

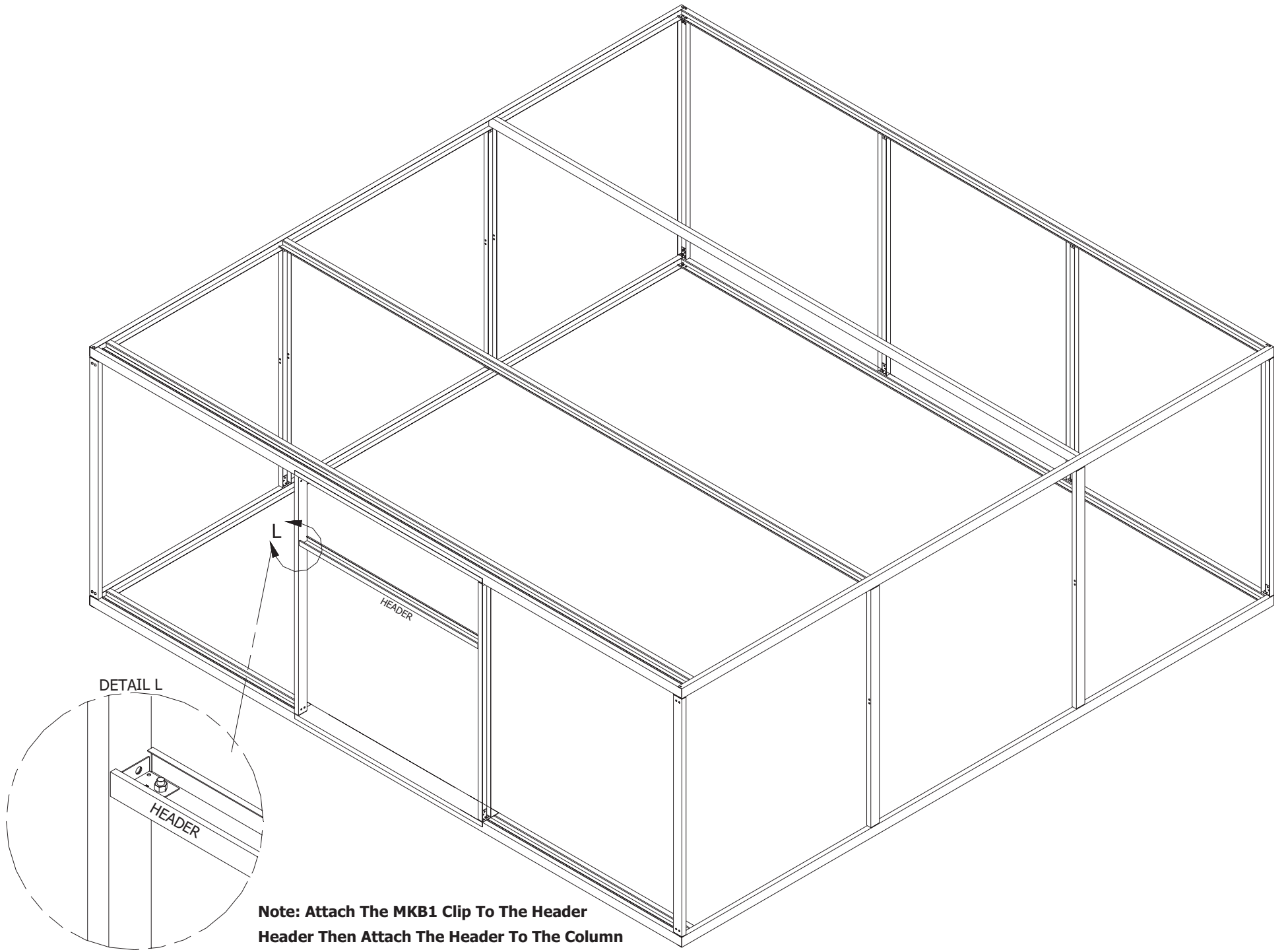




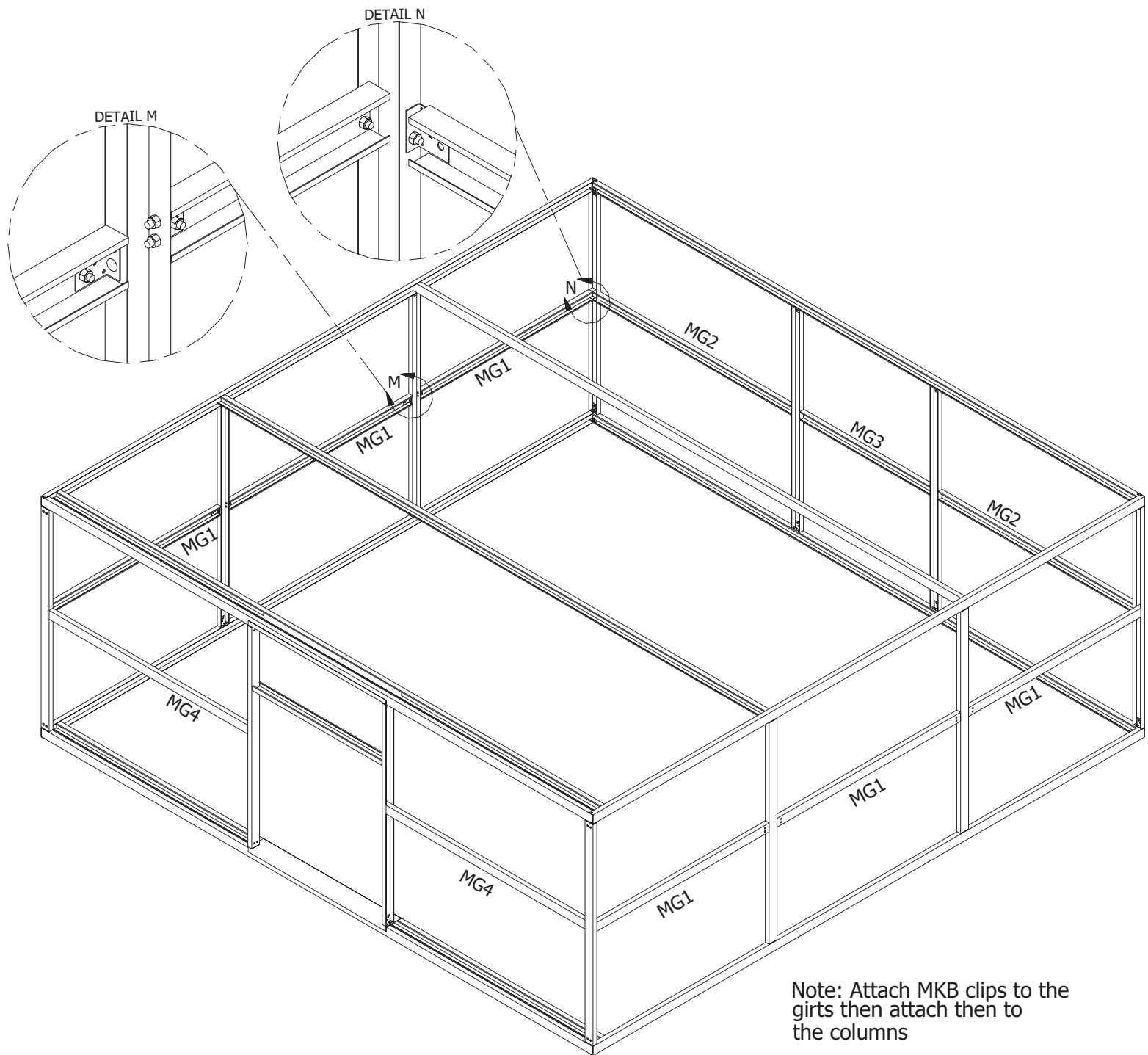


DETAIL K



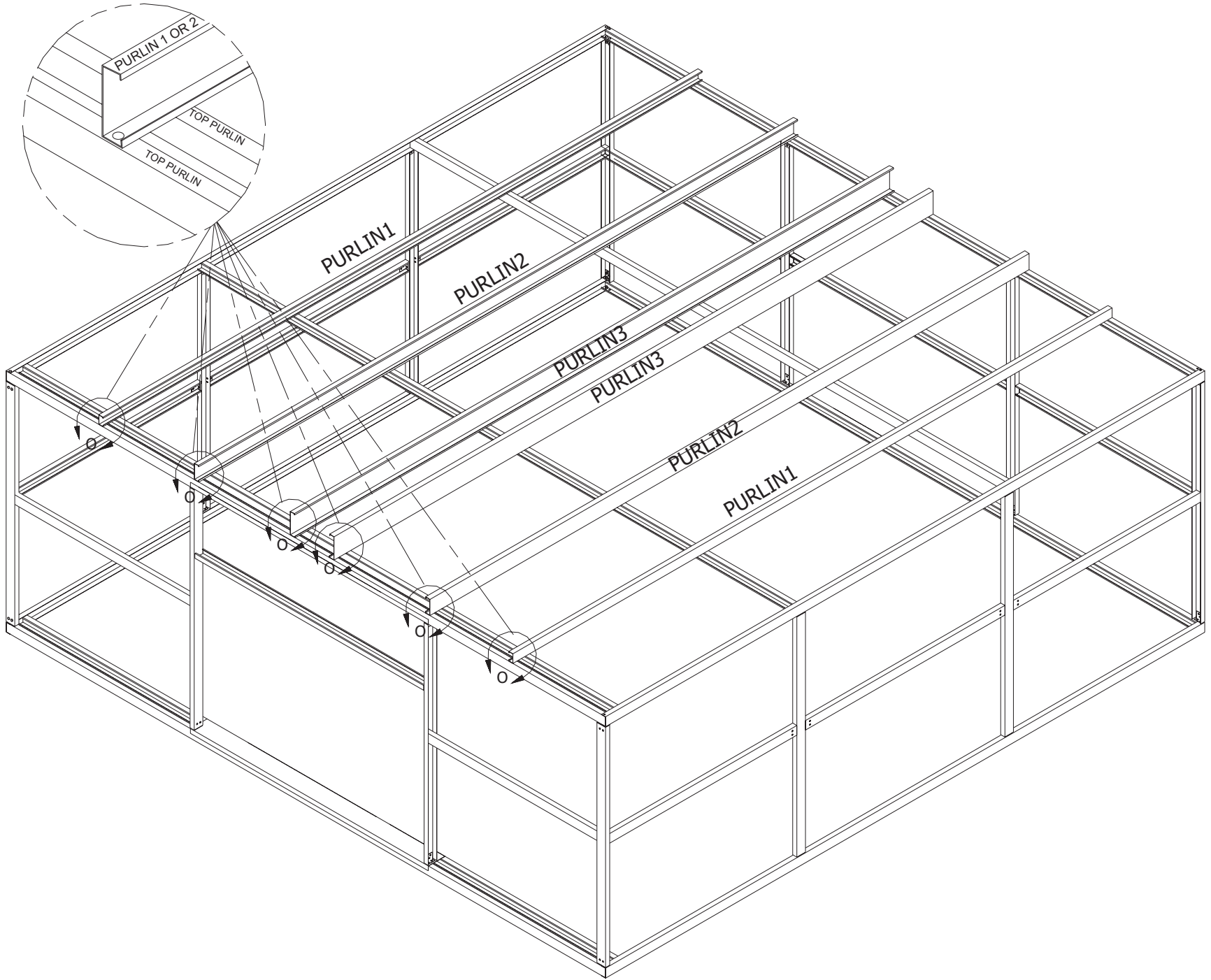


**Note: Attach The MKB1 Clip To The Header
Header Then Attach The Header To The Column**



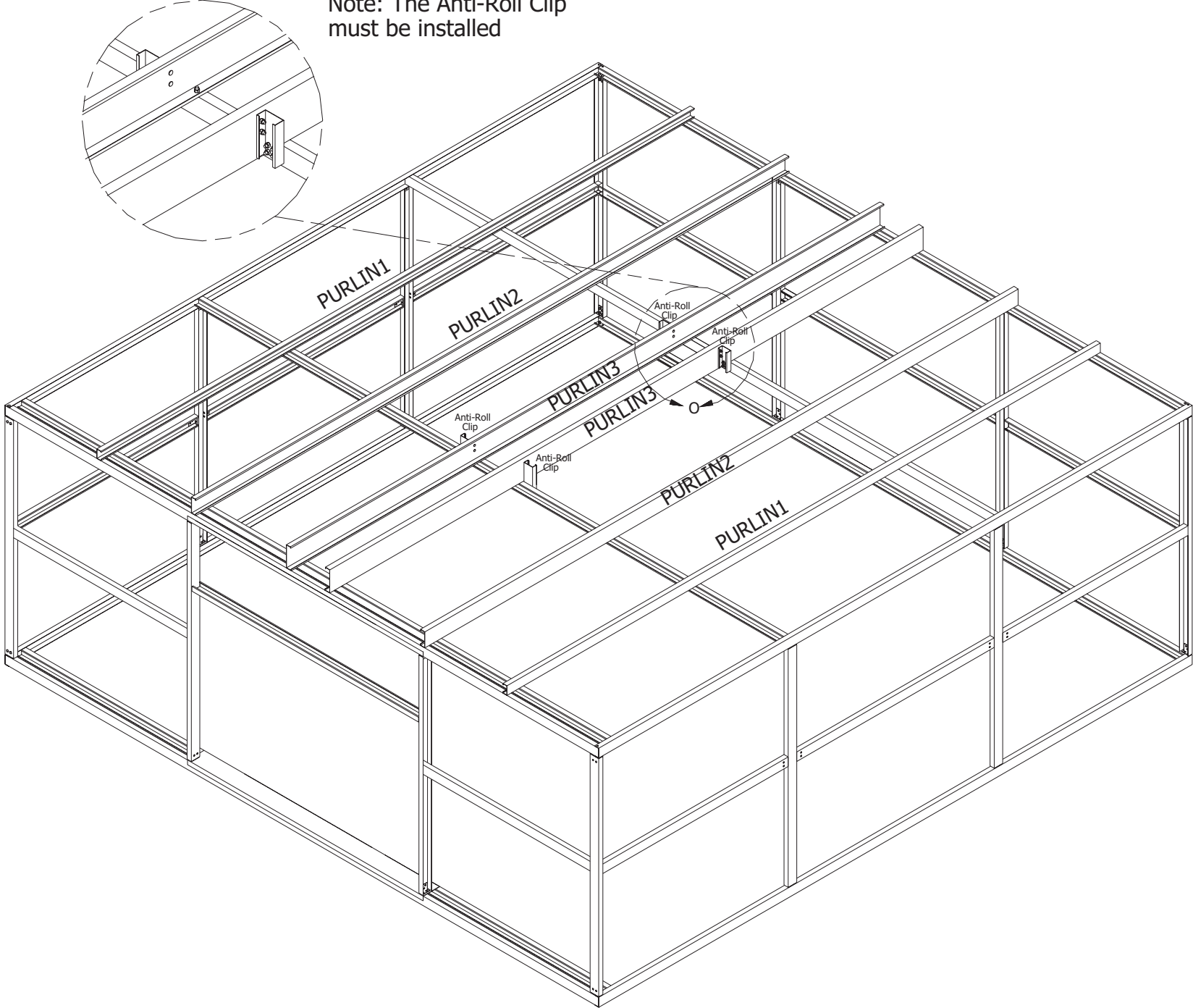
Note: Attach MKB clips to the girts then attach them to the columns

DETAIL 0

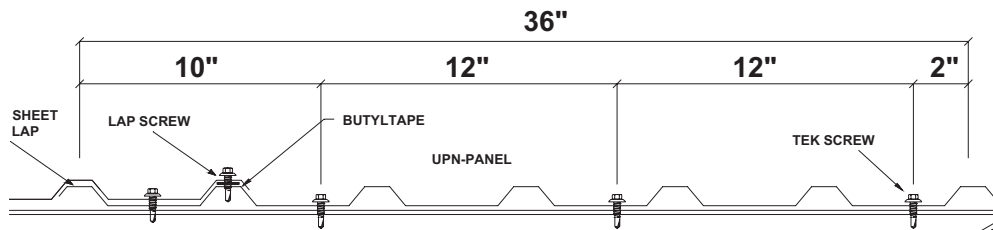


Anti-Roll Clip

Note: The Anti-Roll Clip must be installed

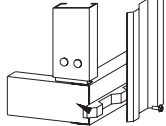


SHEET LAP For Sheets 1:2, 2:3, 4:5, 5:6, 7:8, 8:9

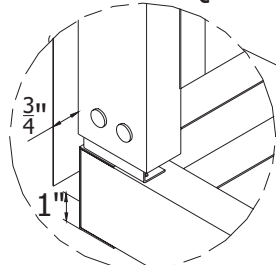


On the endwall with the framed opening, start sheeting on one side of door jamb trim & work your way to the corner.

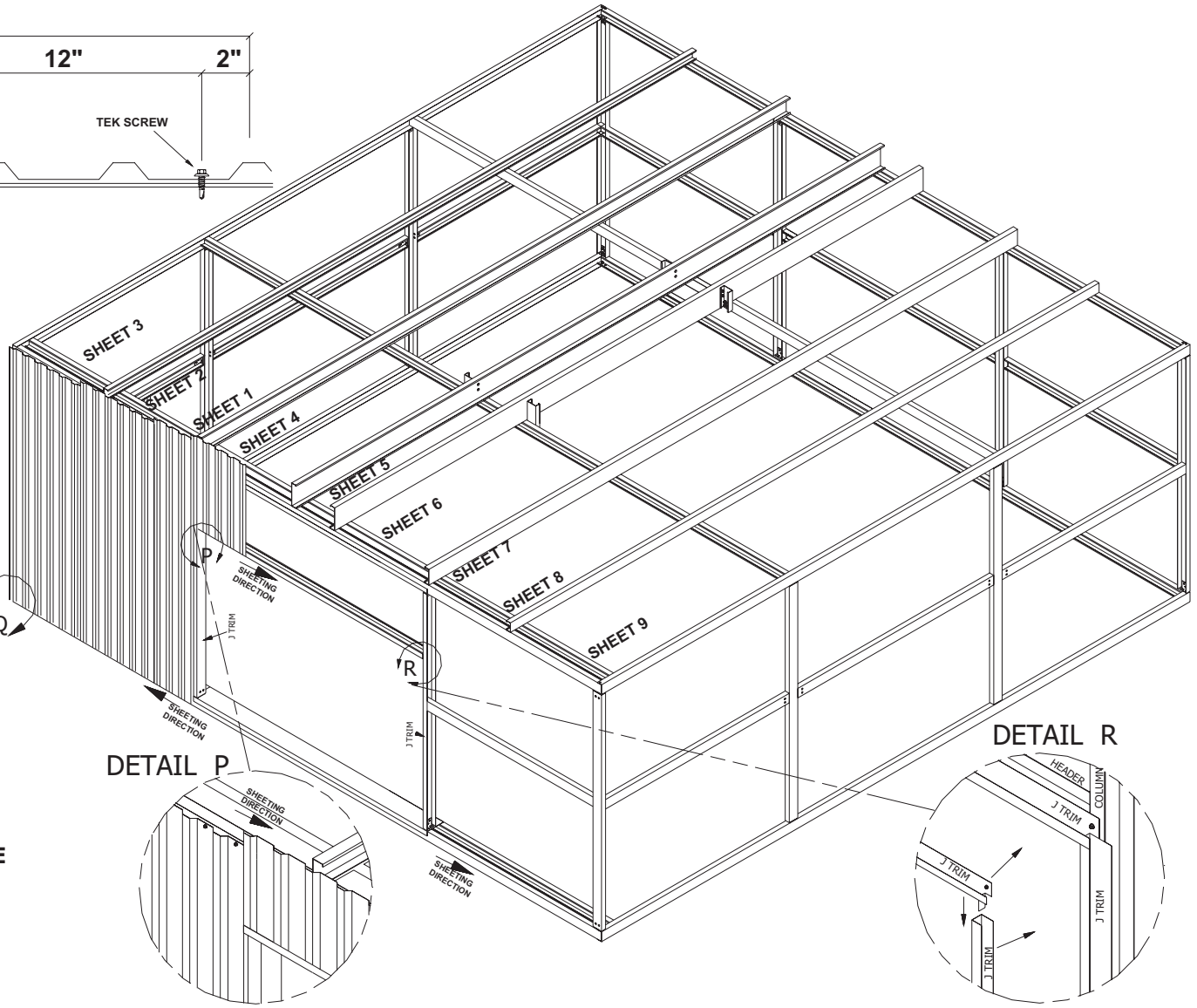
BACK SIDE VIEW



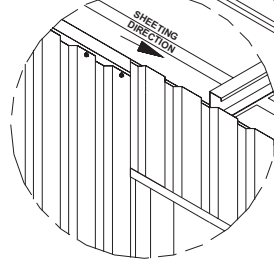
DETAIL Q



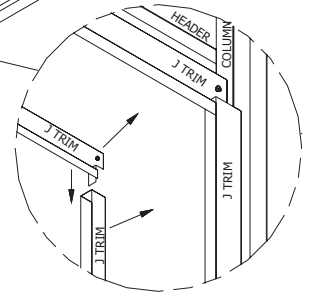
START SHEET 3/4" PAST THE END OF THE FRAME AND 1" FROM THE BOTTOM OF BASE



DETAIL P

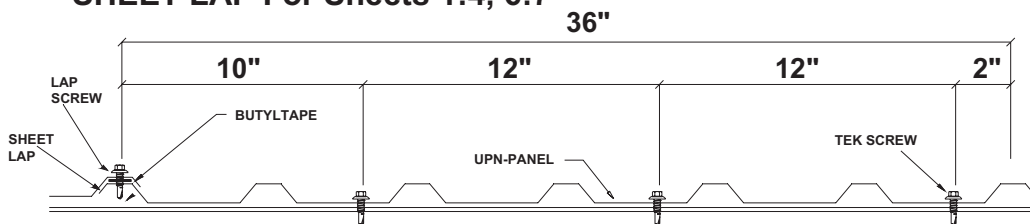


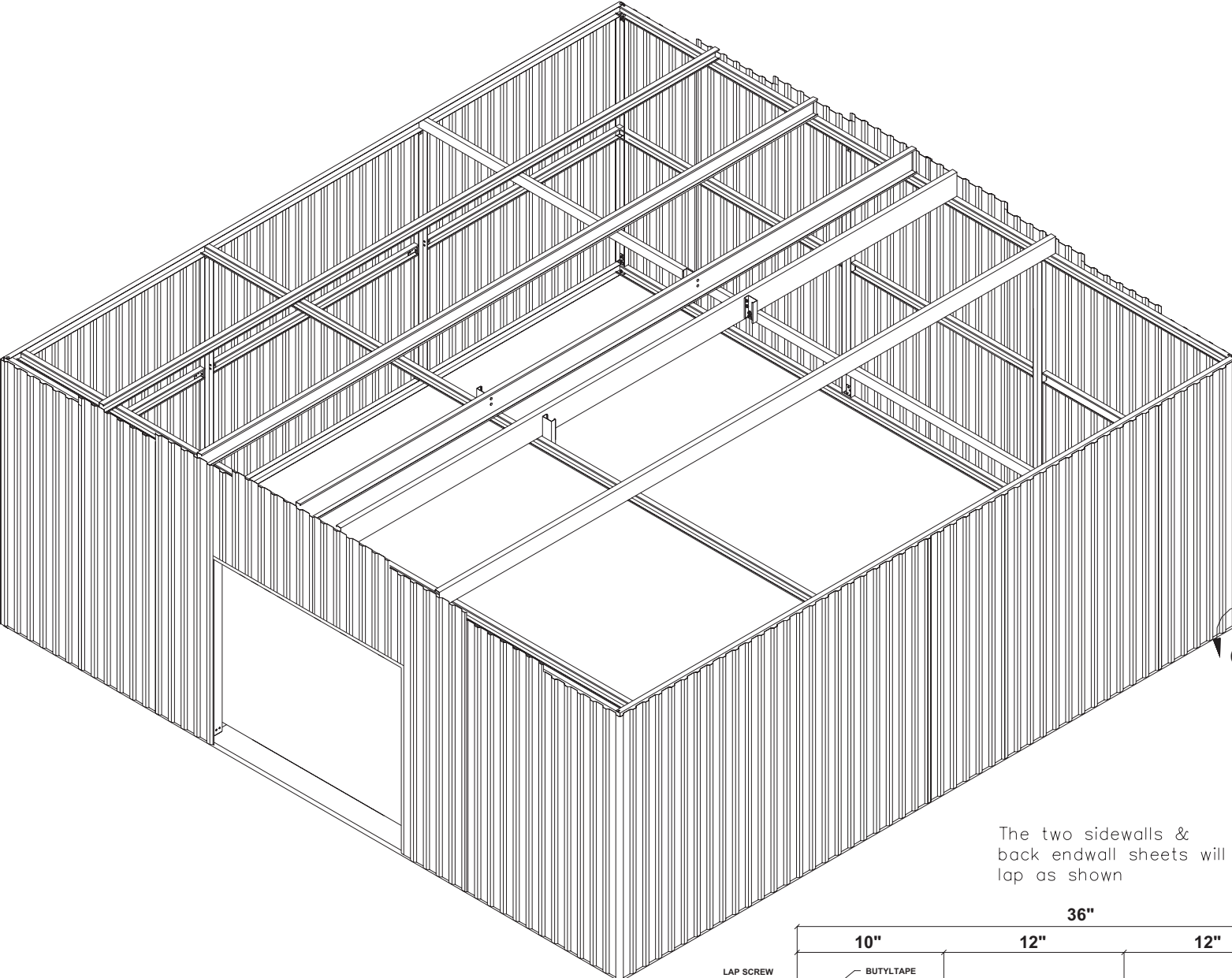
DETAIL R



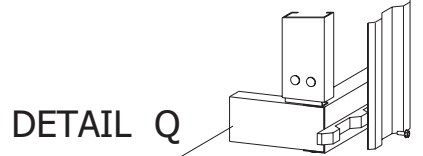
NOTE: IF A FLOOR KIT WAS PURCHASED PLEASE ADD THE KIT PRIOR TO SHEETING. THE INSTRUCTIONS CAN BE FOUND ON P.23 & P.24

SHEET LAP For Sheets 1:4, 6:7

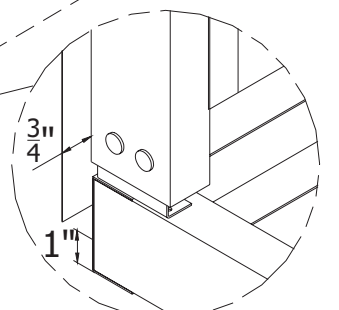




BACK SIDE VIEW

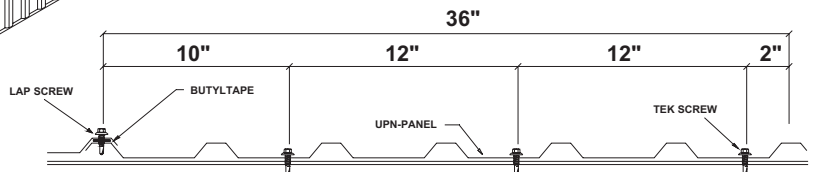


DETAIL Q

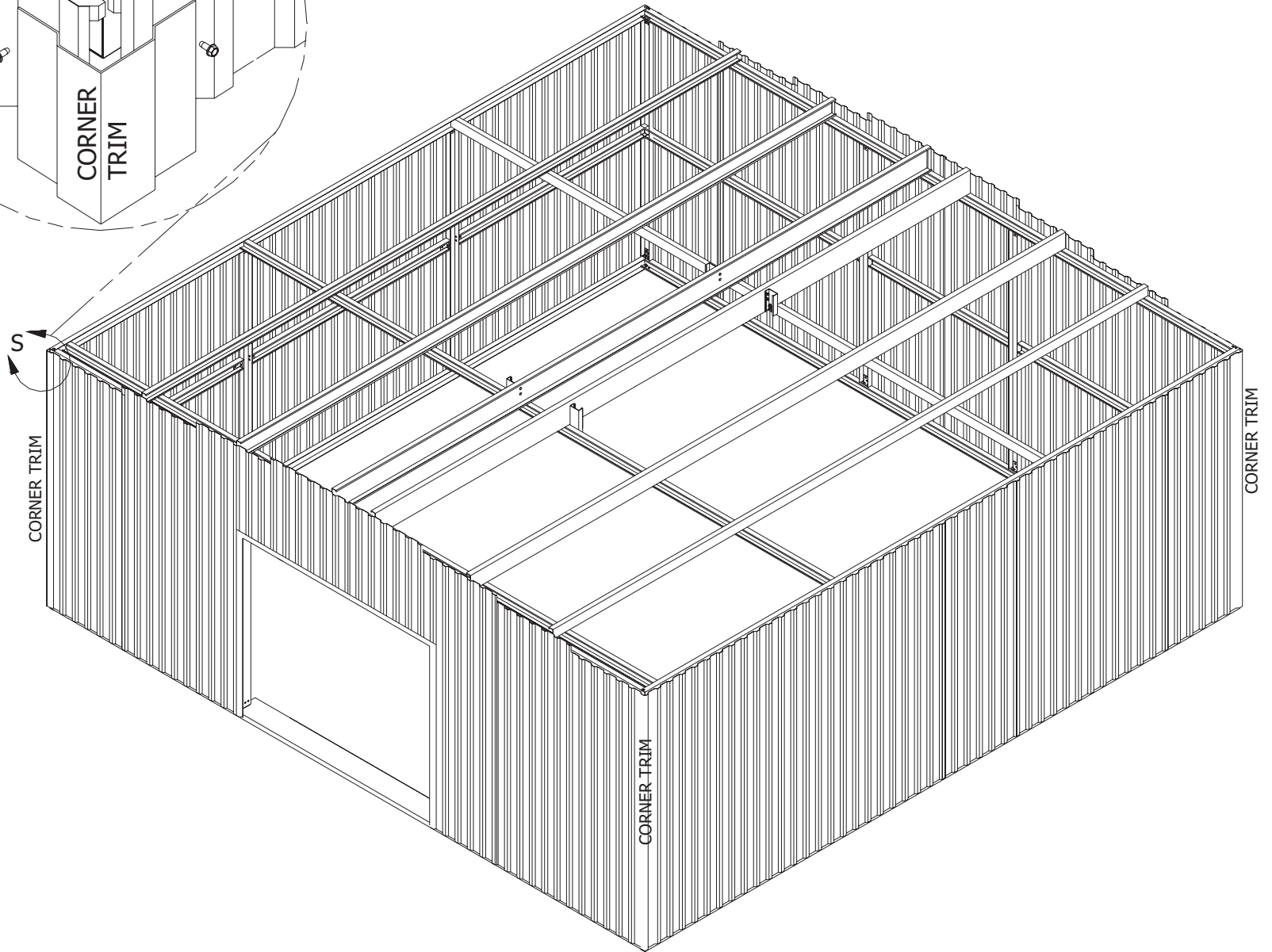
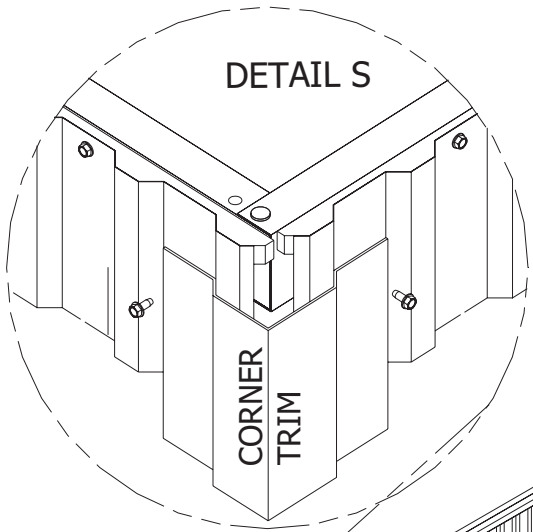


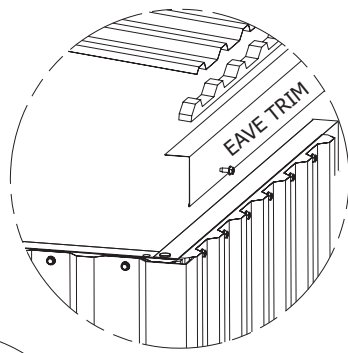
START SHEET 3/4" PAST THE END OF THE FRAME AND 1" FROM THE BOTTOM OF BASE

The two sidewalls & back endwall sheets will lap as shown

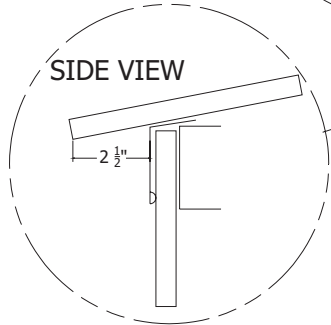
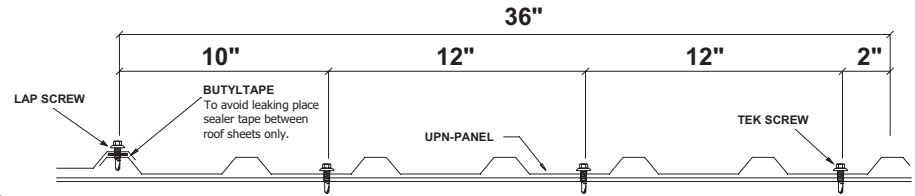


NOTE: IF A FLOOR KIT WAS PURCHASED PLEASE ADD THE KIT PRIOR TO SHEETING. THE INSTRUCTIONS CAN BE FOUND ON P.23 & P.24

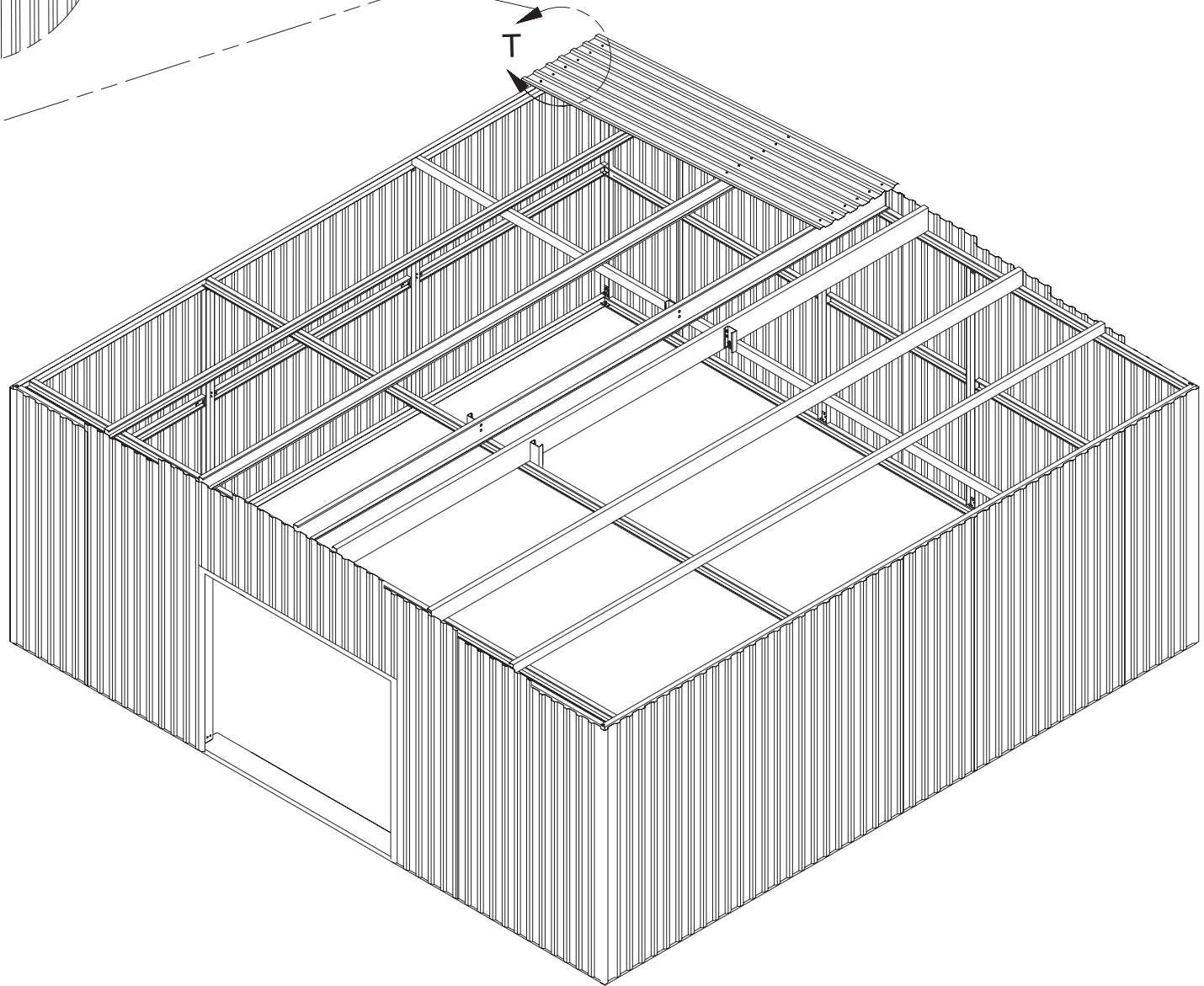


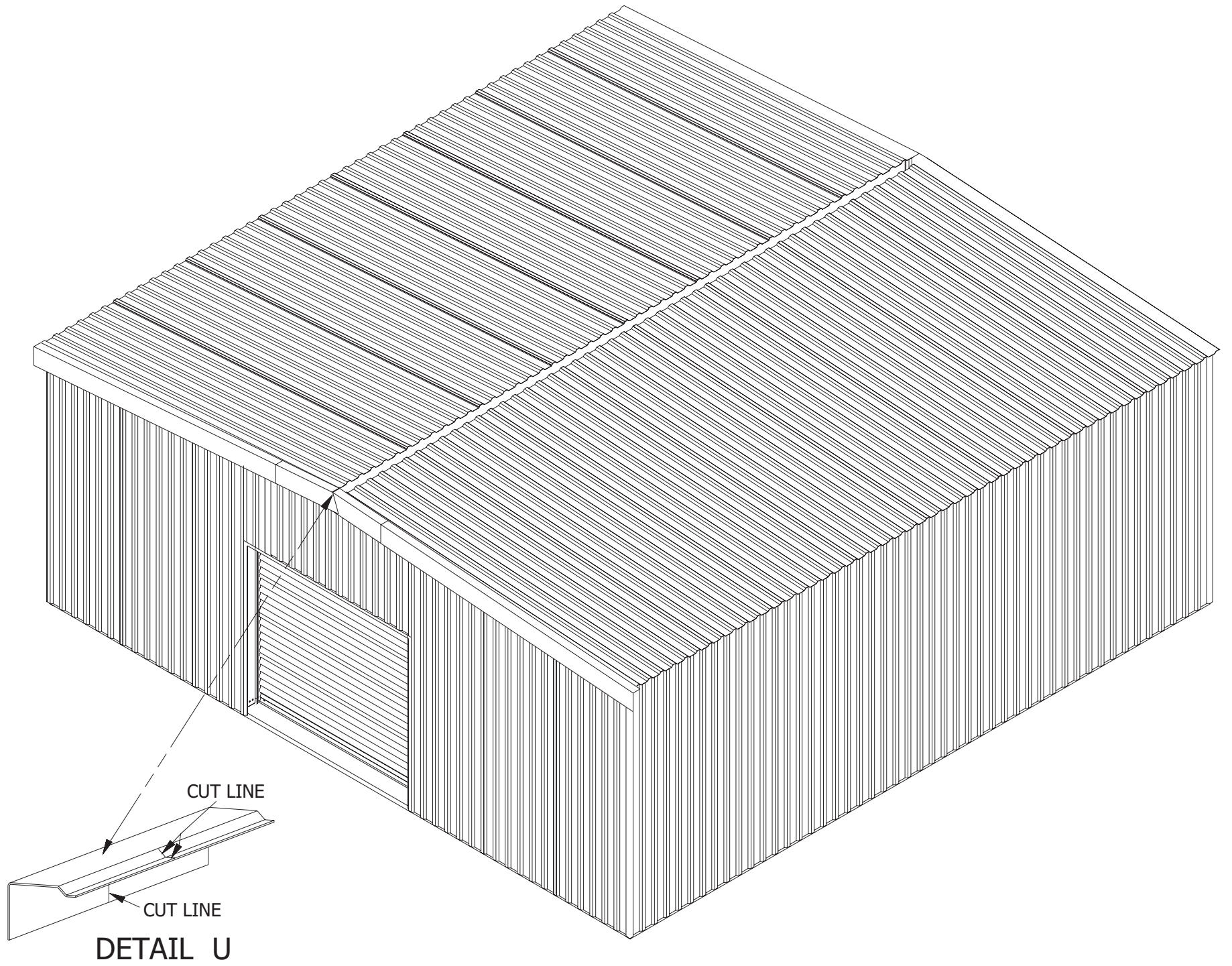


DETAIL T



NOTE: ROOF SHEET IS DESIGNED
TO HAVE A 2 1/2" OVERHANG

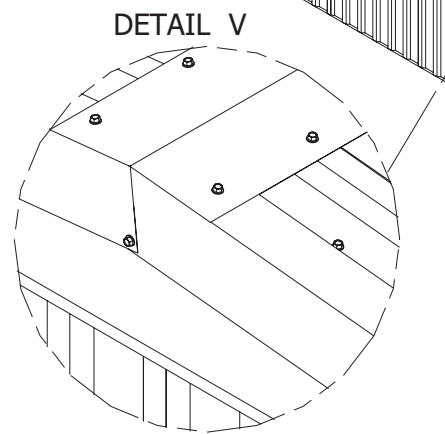
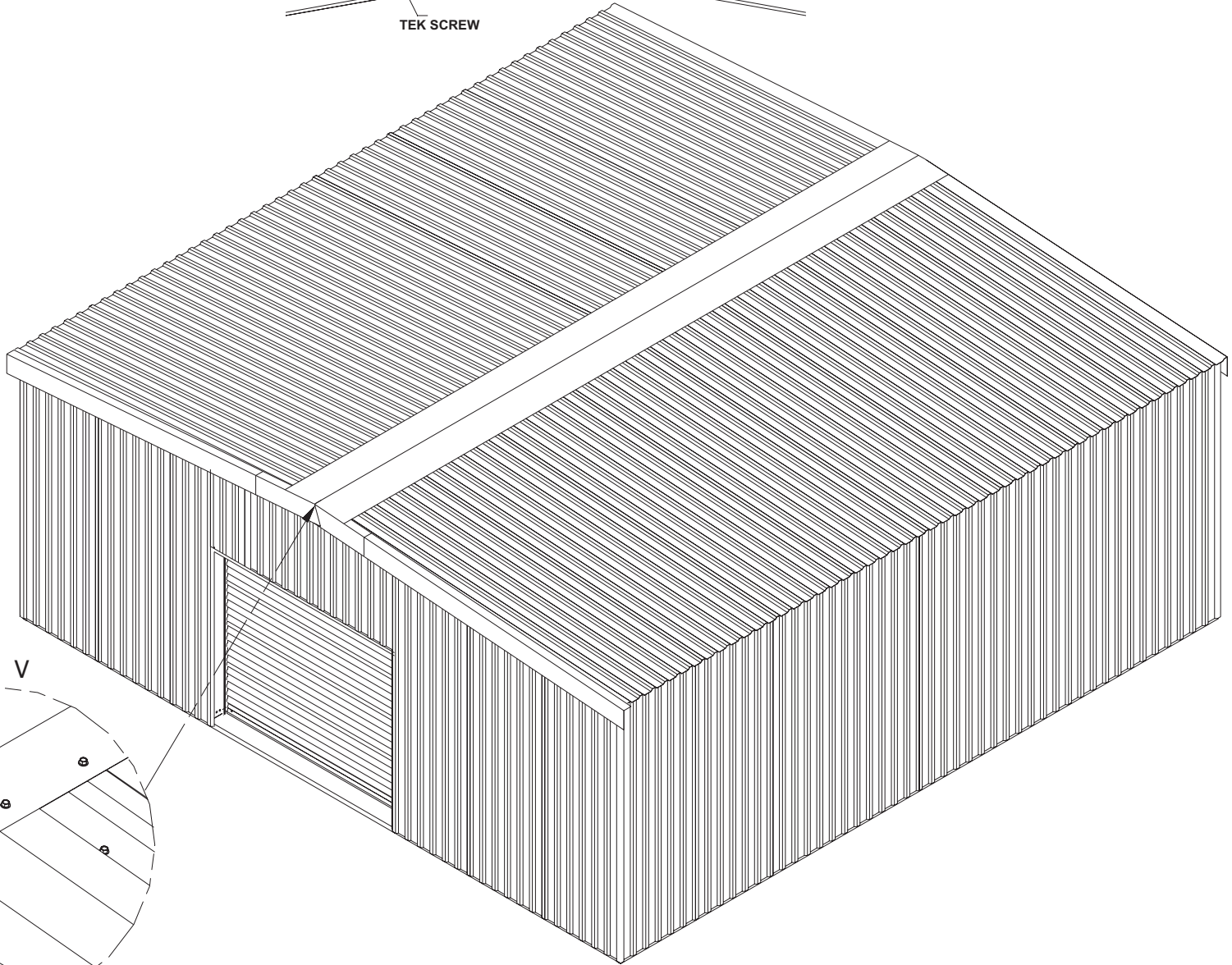
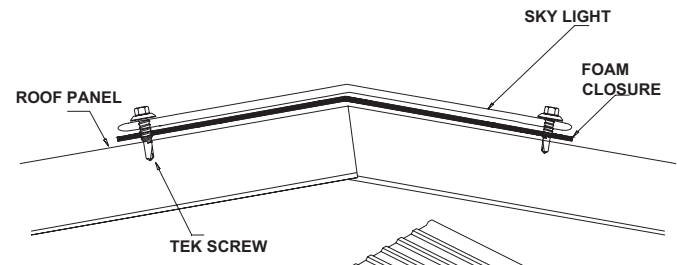




CUT LINE

CUT LINE

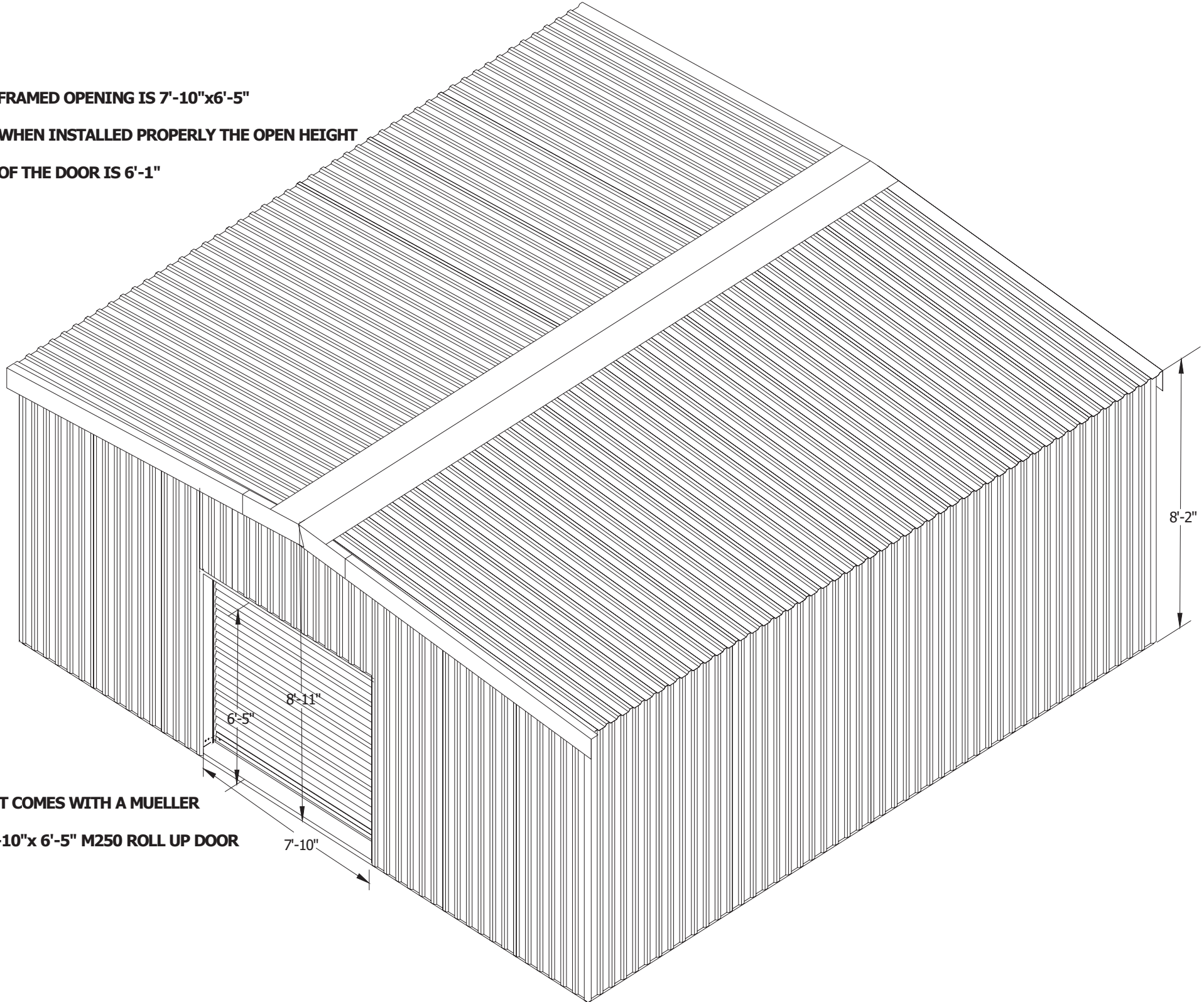
DETAIL U



FRAMED OPENING IS 7'-10"x6'-5"

WHEN INSTALLED PROPERLY THE OPEN HEIGHT

OF THE DOOR IS 6'-1"



KIT COMES WITH A MUELLER

7'-10"x 6'-5" M250 ROLL UP DOOR

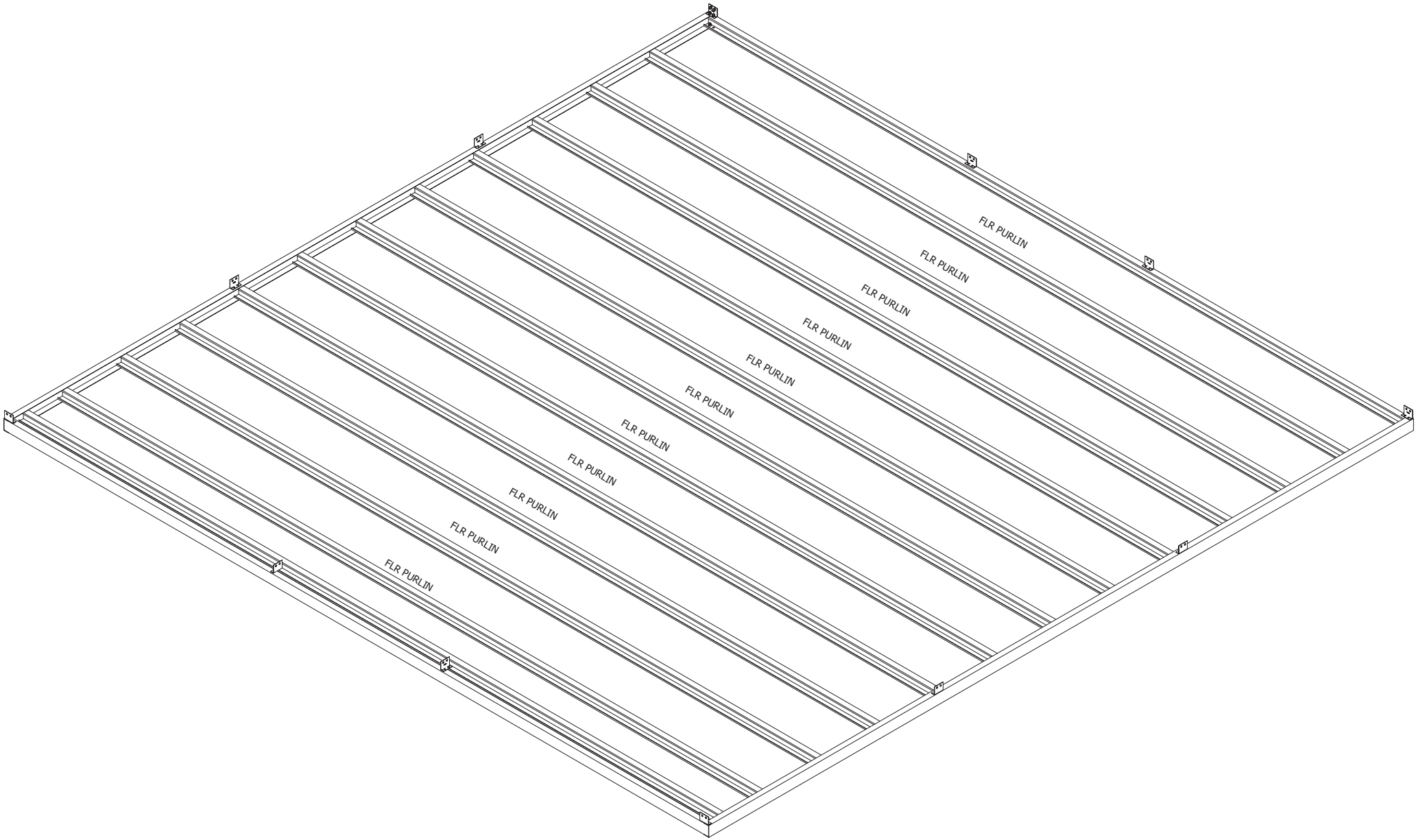
7'-10"

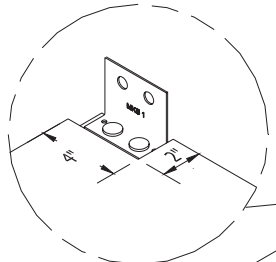
8'-2"

8'-11"

6'-5"

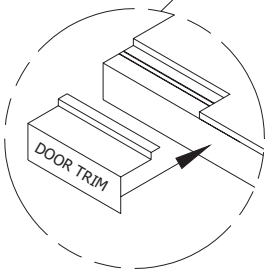
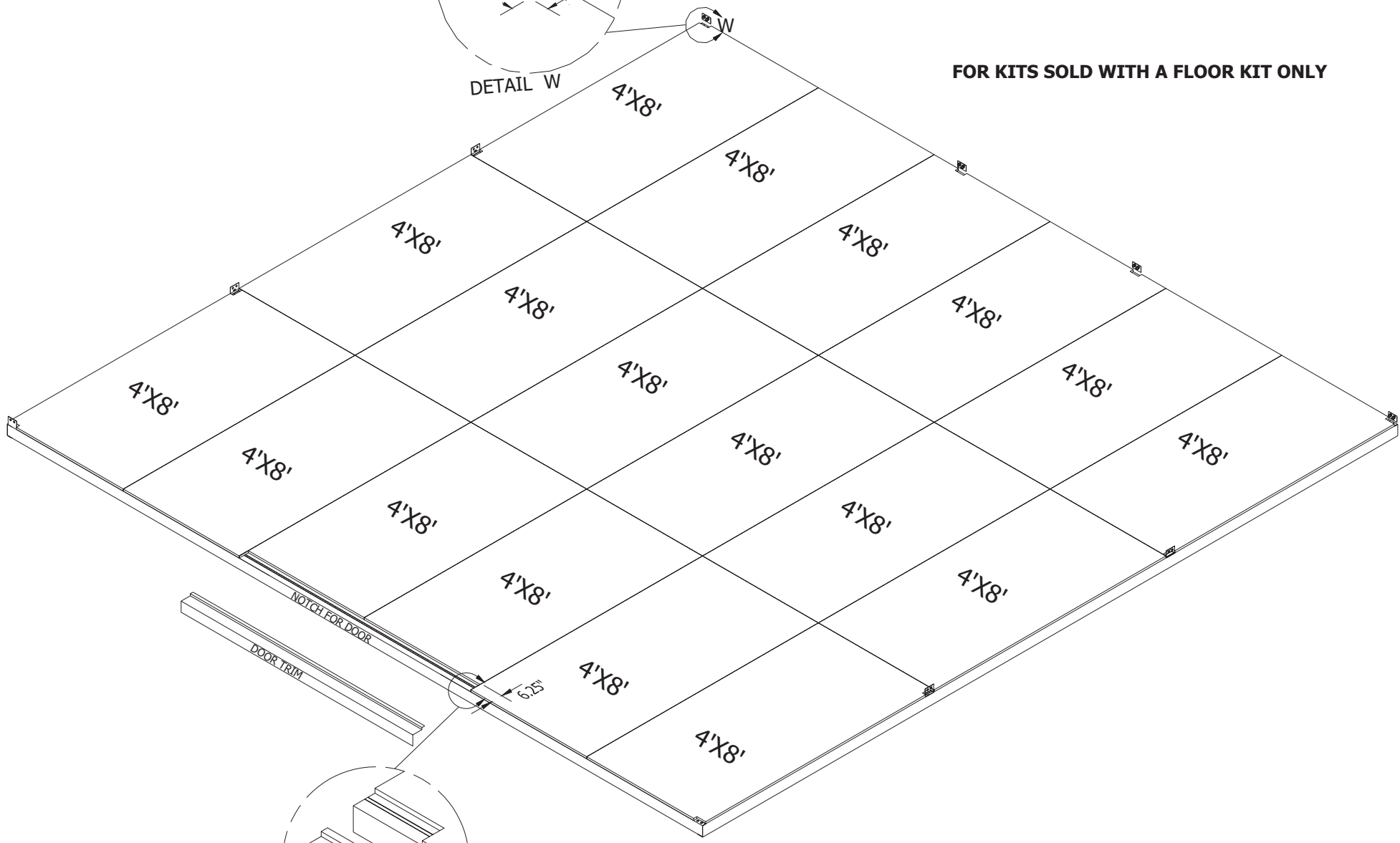
FOR KITS SOLD WITH A FLOOR KIT ONLY





DETAIL W

FOR KITS SOLD WITH A FLOOR KIT ONLY



DOOR TRIM