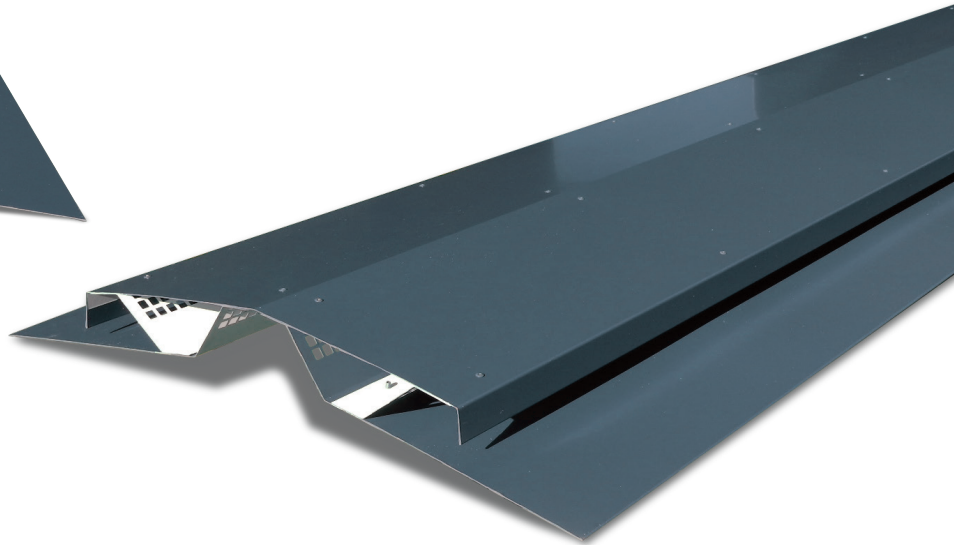
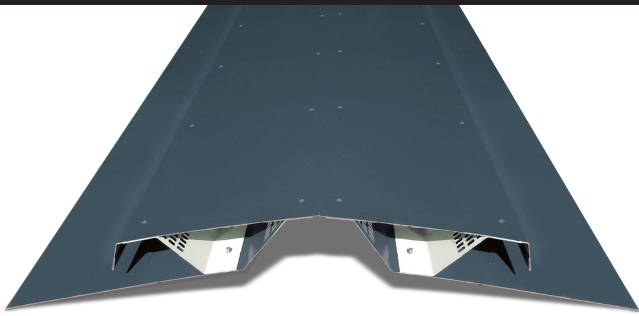
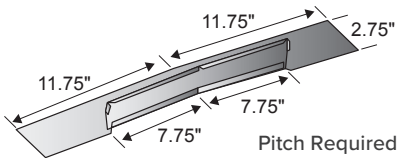


# LOW PROFILE RIDGE VENT



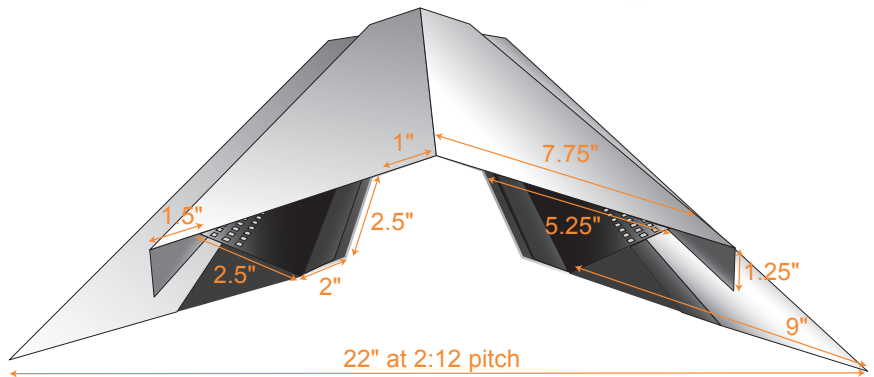
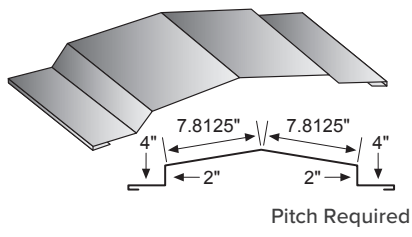
## END CAP FOR LOW PROFILE VENT

#0906 *Ordered and Sold Separately*



## LP VENT SPLICE/RIDGE ROLL

#0202 *Ordered and Sold Separately*



**Size:** The Mueller low-profile floating ridge vent is a 10-foot unit, available in any Mueller color.

**Design:** Aerodynamic, low-profile design enhances the appearance and performance of architectural roof systems. The unit moves towards the ridge on floating roofs. Our low-profile vents are made to match the roof slope and color to maintain a low-profile appearance while ventilating areas under the roof.

**Construction:** A Mueller low-profile vent is factory assembled for the customer. It is produced from 26-gauge, grade 50 steel (50,000 min KSI yield point) for a durable, long life while exposed to the elements.

**Finish:** Steel parts match Mueller roof type and color finish. All Mueller paint types and colors are available using AKZO Nobel coatings.

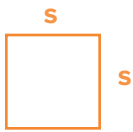
**Benefits of Ventilation:** One of the most overlooked components of design and installation of architectural roofing systems is ventilation. A properly engineered ventilation system using continuous ridge vents in conjunction with an under soffit intake or end wall louvers will provide air movement through the roofing system to remove air. Convection removes summer heat which reduces cooling bills and extends the life of the roofing system. In winter, proper ventilation will assist in the control of condensation that can lead to problems such as rust and insulation degradation.



# HOW TO CALCULATE MUELLER VENT AIRFLOW

Usually, when we have this conversation we talk in FSA (*Free Surface Area*), which is the size of opening the venting structure provides to allow air to move from within the structure to the outside of the structure.

**Example:** If you cut a 2 inch by 2 inch square opening in a roof, you would have a 4 square inch opening ( $2 \times 2 = 4$ ). This would give you an FSA of 4 square inches.



$$\text{Area} = s^2$$

Area = length x width. For a square, the length and width are the same.

For a typical square vent found on many homes or buildings today (which is fed with a 3 inch diameter pipe), the FSA would be equal to the smallest of the free surface areas of the pipe or the opening around the square cover. Usually the smallest area is the pipe, so the FSA would equal the area of the 3 inch diameter pipe, measured below:



r = radius (distance from the center of the circle to point on the circle)

$$\pi = 3.14$$

$$\text{Area} = \pi r^2$$

Area =  $3.14 \times 1.5 \text{ inch} \times 1.5 \text{ inch} = 7.065 \text{ square inches} = \text{FSA of the vent}$

## Approximate FSA of each Mueller vent product:

- Mueller commercial 10 foot ridge vent: FSA = 885 square inches
- Mueller utility 10 foot ridge vent: FSA = 240 square inches
- Mueller low profile 10 foot ridge vent: FSA = 166 square inches
- Mueller 6 foot by 3 foot endwall louvered vent: FSA = 410 square inches
- Mueller 3 foot by 3 foot endwall louvered vent: FSA = 205 square inches
- Mueller 2 foot by 2 foot endwall louvered vent: FSA = 89 square inches
- Mueller 12 inch by 18 inch endwall louvered vent: FSA = 35 square inches

## GENERAL MUELLER VENT WARRANTY

{MUELLER LOW PROFILE, COMMERCIAL, END WALL LOUVERED AND UTILITY VENTS}

Referenced in Order Documents as Warranty Code VT05

Scope and Remedy. Vent products which have been fabricated by Mueller, Inc. shall be free of defects in material and workmanship for a period of one year after shipment. Mueller, Inc.'s sole responsibility for any such defects shall rest at Mueller, Inc.'s discretion to either (1) replacement of the defective product at the original point of delivery, or (2) reimbursement for the price paid by the customer for the defective product.

Notification. Buyer must notify Mueller, Inc. of defective material or workmanship within 30 days of discovery of the defect. Mueller, Inc. shall investigate and make a determination of coverage under this warranty. If materials or workmanship are deemed defective per generally accepted industry standards, Mueller, Inc. will provide one of the aforementioned remedies within 90 days from the date notice of defect is provided to Mueller, Inc.

**MUELLER, INC. MAKES NO OTHER WARRANTY, EXPRESSED OR IMPLIED, AND HEREBY DISCLAIMS ANY AND ALL IMPLIED WARRANTIES, INCLUDING, BUT NOT LIMITED TO THE IMPLIED WARRANTIES OF MERCHANTABILITY AND FITNESS FOR A PARTICULAR PURPOSE; PROVIDED HOWEVER THAT ANY IMPLIED WARRANTY OF MERCHANTABILITY OR FITNESS FOR A PARTICULAR PURPOSE, IF ANY, THAT BY LAW MIGHT ACCOMPANY THIS PRODUCT BY VIRTUE OF PERSONAL, FAMILY, OR HOUSEHOLD USE THEREOF, IS HEREBY EXPRESSLY LIMITED IN DURATION TO A PERIOD OF ONE YEAR FROM DATE OF DELIVERY. UNDER NO CIRCUMSTANCES SHALL MUELLER, INC. BE LIABLE FOR CONSEQUENTIAL OR INCIDENTAL DAMAGES.**

Customer's acceptance of the products subject to this warranty represents acceptance of the terms and conditions of this warranty.

