

9' x 12' x 7' Backyard Building with Optional Center Girts and Floor Kit Instructions

Mueller Backyard Building Kits are not engineered structures and do not meet any specific building code criteria.
For video installation instructions, visit our website at www.muellerinc.com/downloads-home/videos-home

877-2- MUELLER • www.muellerinc.com



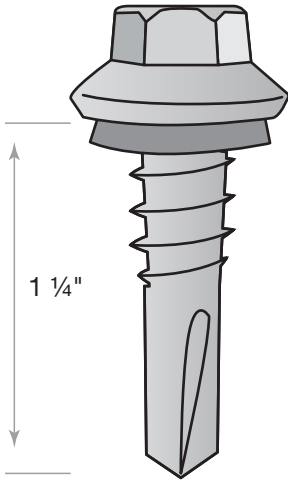
PARTS LIST

Refer to the parts list on the itemized invoice delivered with your building. All parts are stenciled on the inside of the channel, purlin, girts and rafters. Example of this below:

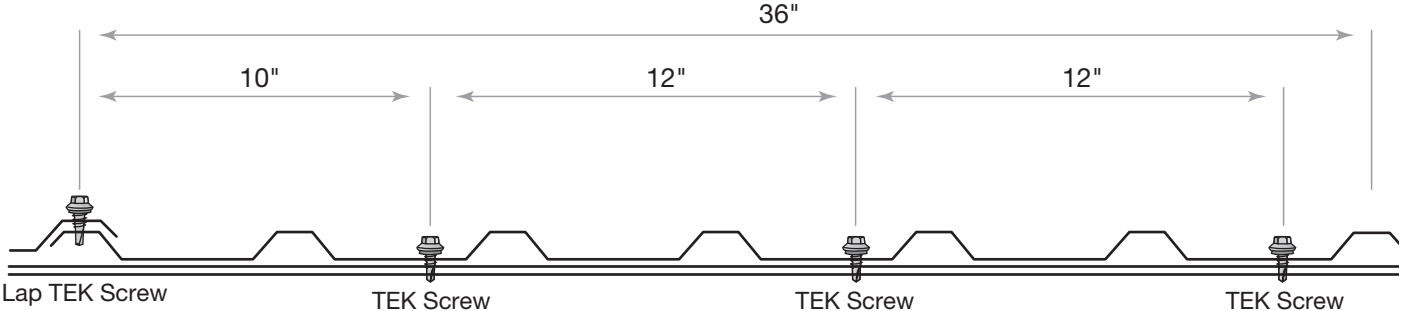
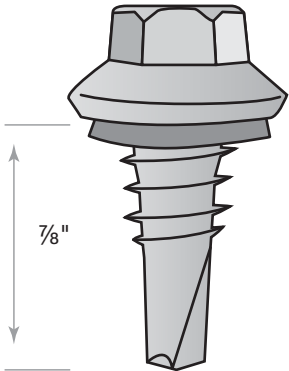


TYPES OF SCREWS

TEK Screw
For attaching sheet metal to purlin

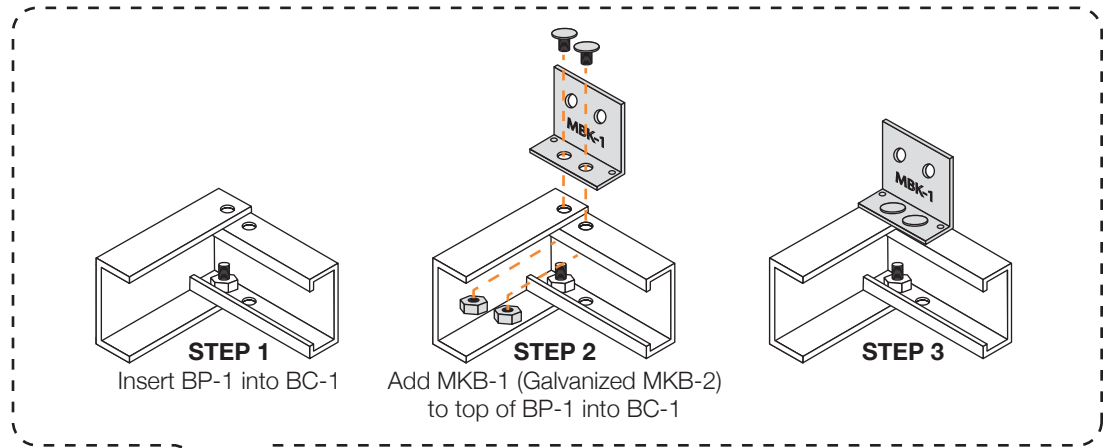


Lap TEK Screw
For attaching sheet metal to sheet metal

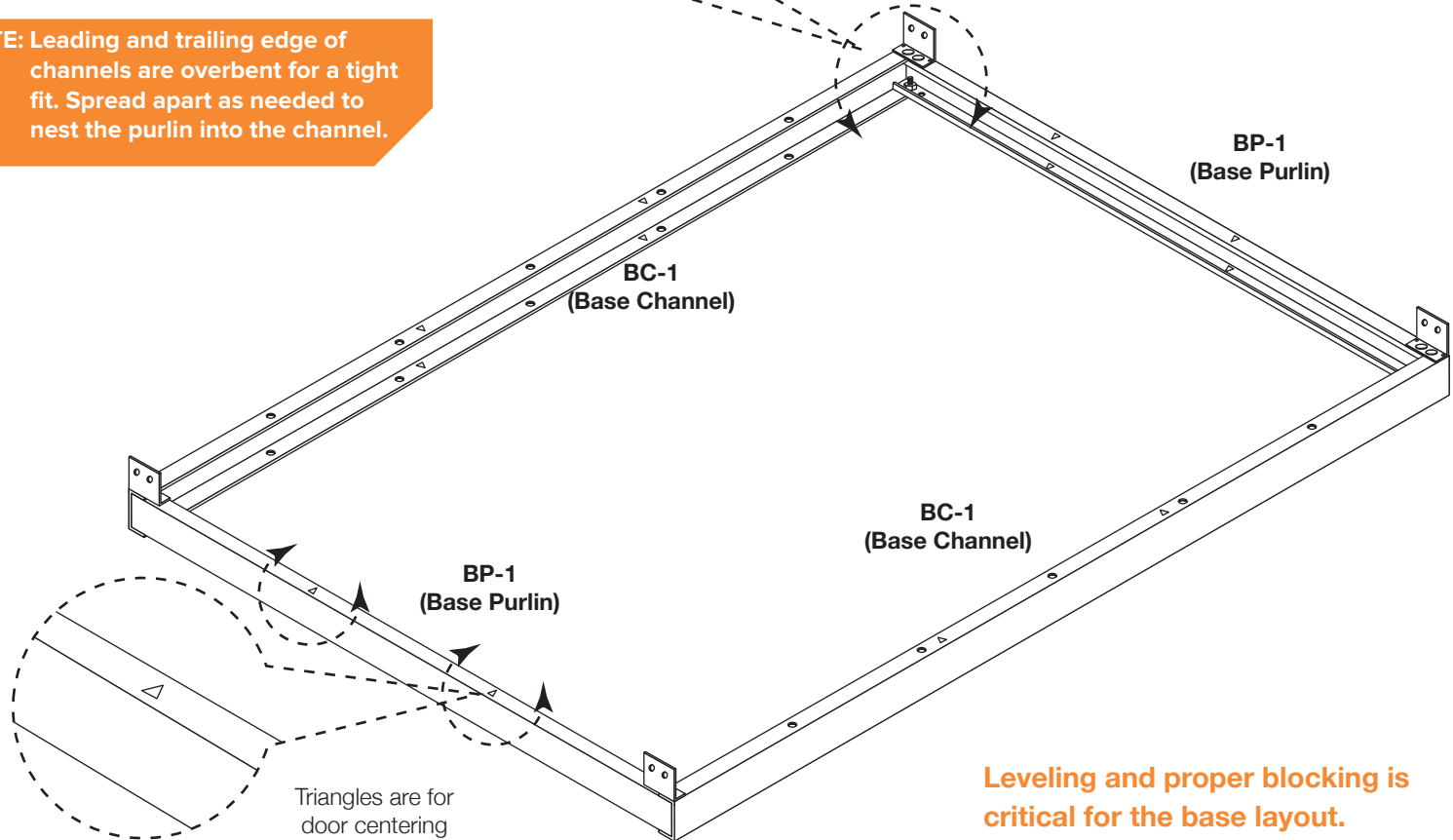


NOTE: Make sure to use TEK screws to attach sheets to purlins, lap TEK screws to attach sheets to sheets.

BASE LAYOUT (BC-1 AND BP-1)



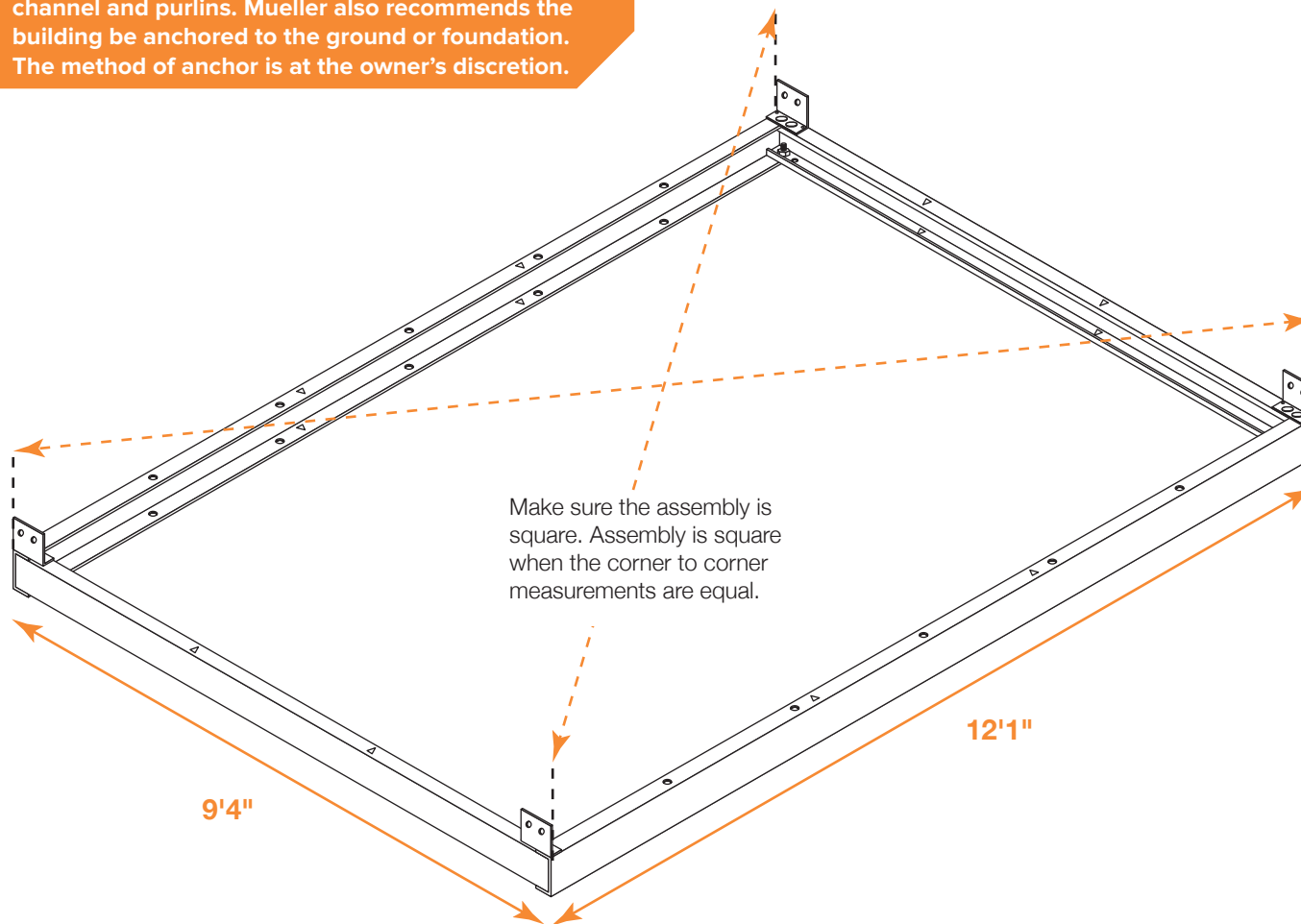
NOTE: Leading and trailing edge of channels are overbent for a tight fit. Spread apart as needed to nest the purlin into the channel.



Leveling and proper blocking is critical for the base layout.

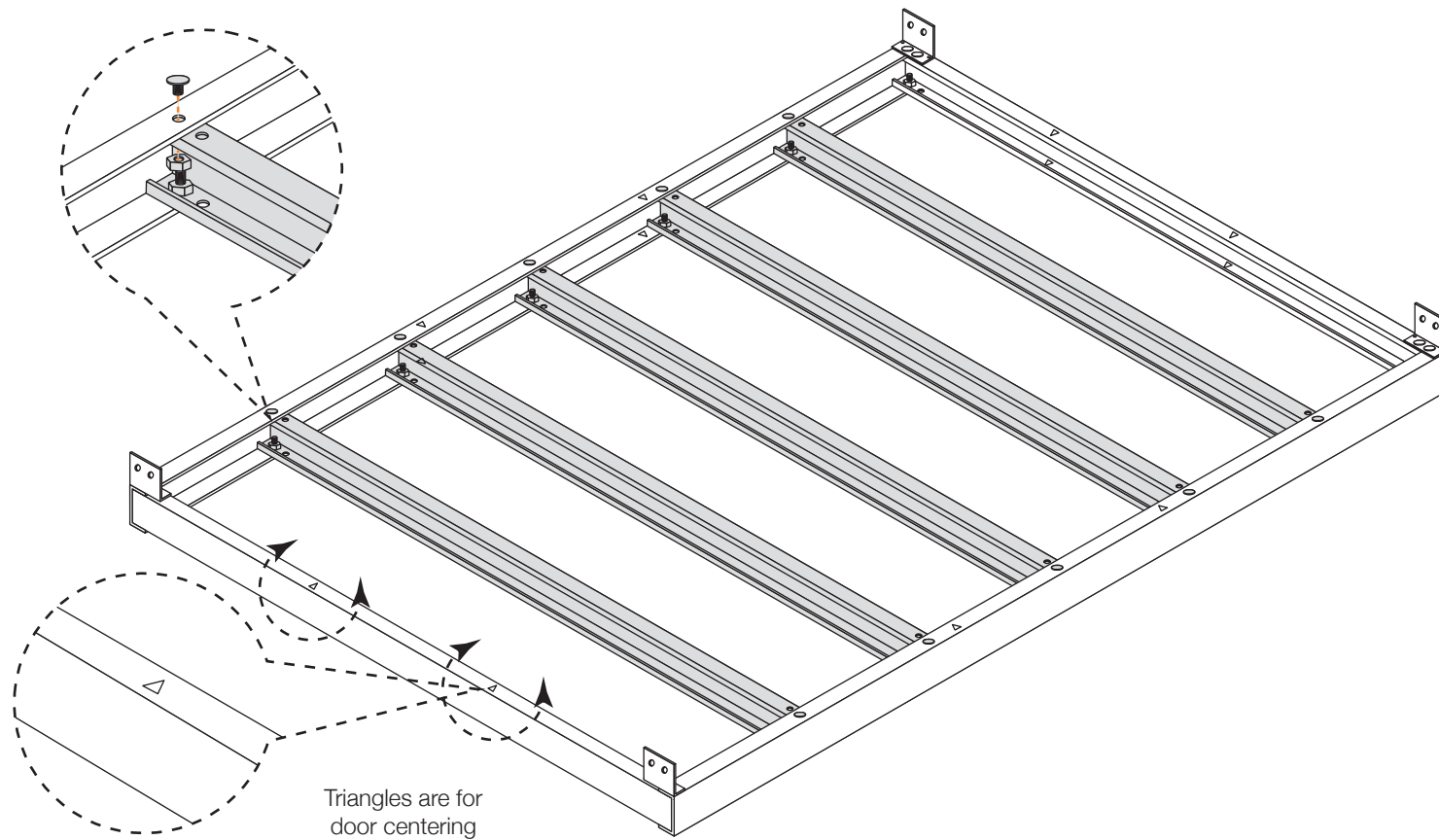
MAKE SURE THE ASSEMBLY IS SQUARE

NOTE: Mueller recommends the building be placed on leveling blocks (not included) to support the base channel and purlins. Mueller also recommends the building be anchored to the ground or foundation. The method of anchor is at the owner's discretion.

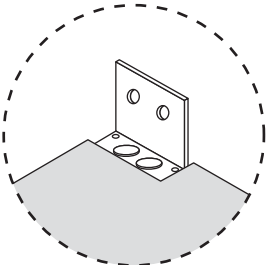


FLOOR KIT (OPTIONAL)

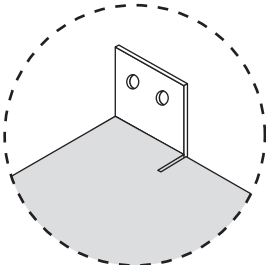
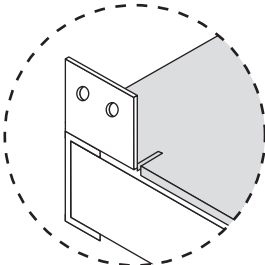
NOTE: Mueller recommends the building be placed on leveling blocks (not included) to support the base channel and purlins. Mueller also recommends the building be anchored to the ground or foundation. The method of anchor is at the owner's discretion.



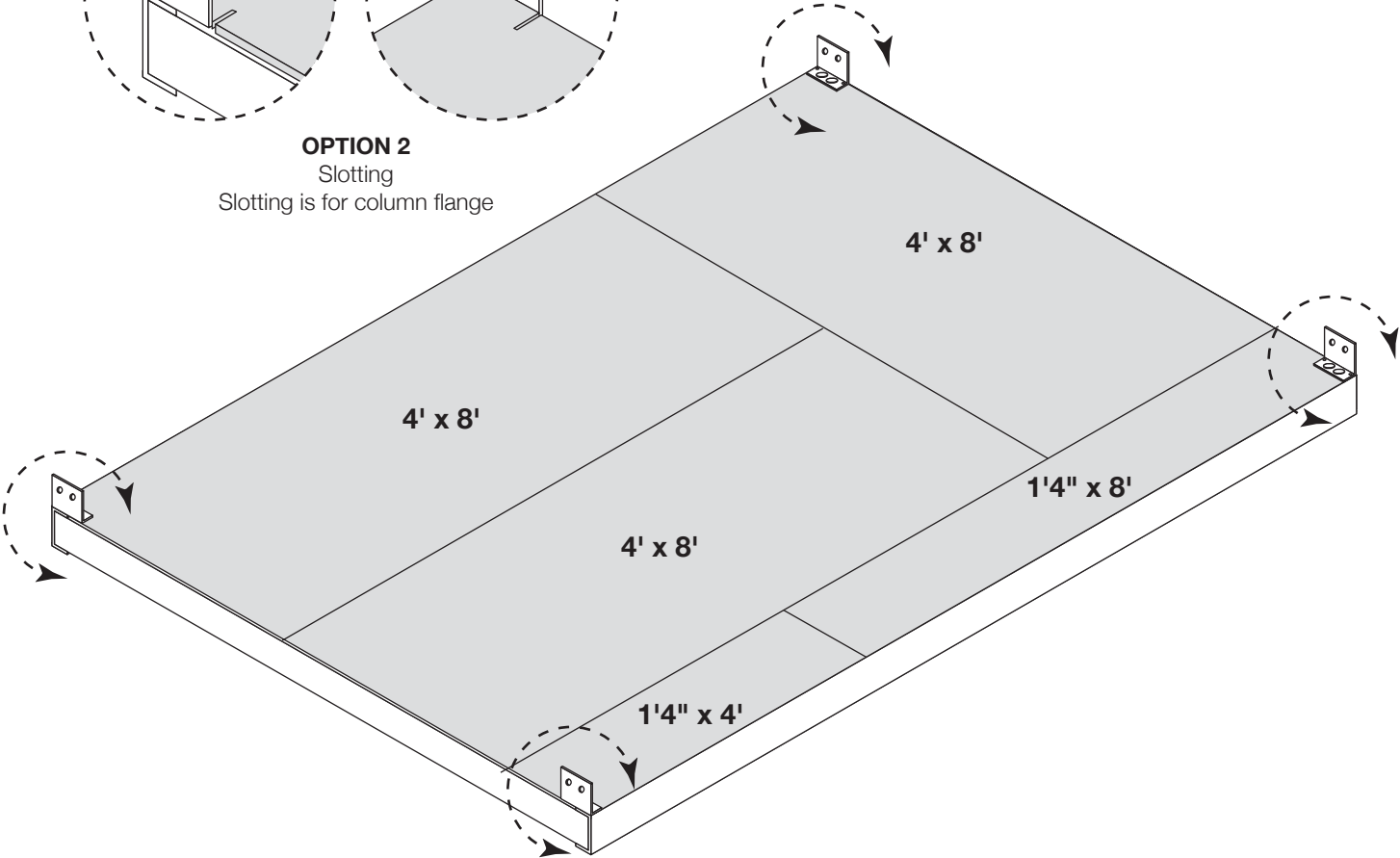
FLOOR KIT (OPTIONAL)



OPTION 1
Notching



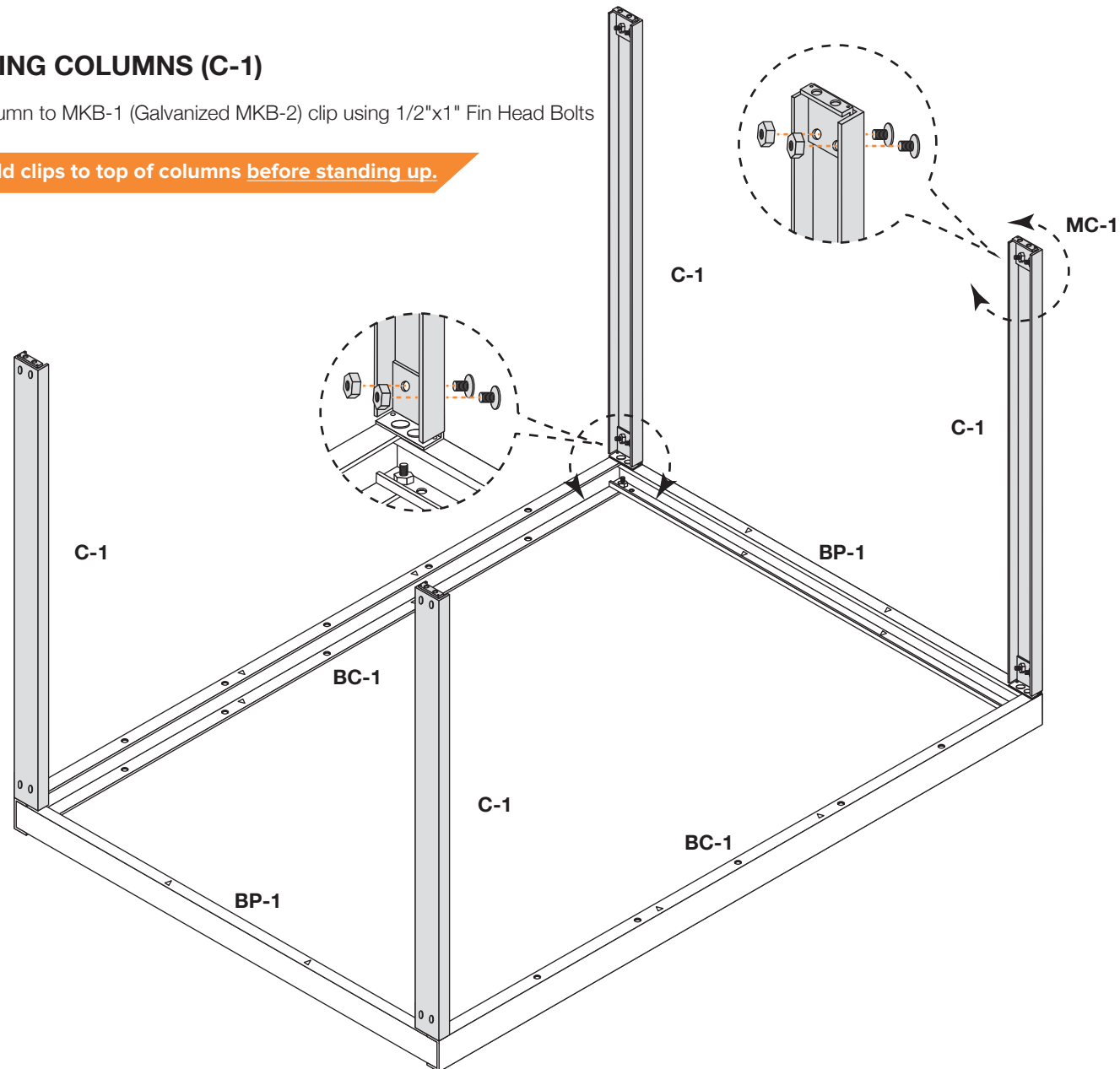
OPTION 2
Slotting
Slotting is for column flange



ERECTING COLUMNS (C-1)

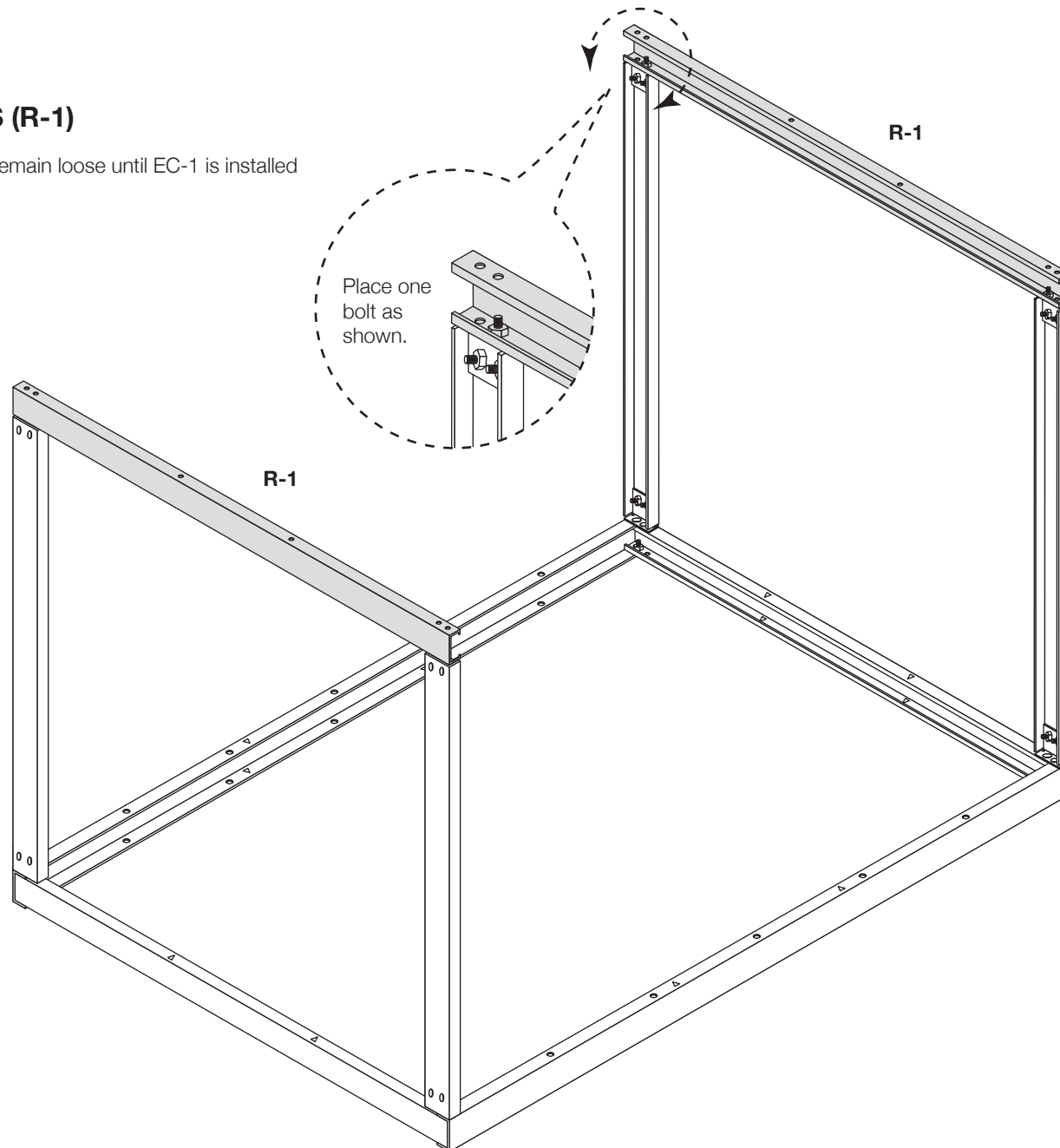
Attach column to MKB-1 (Galvanized MKB-2) clip using 1/2"x1" Fin Head Bolts

HINT: Add clips to top of columns before standing up.



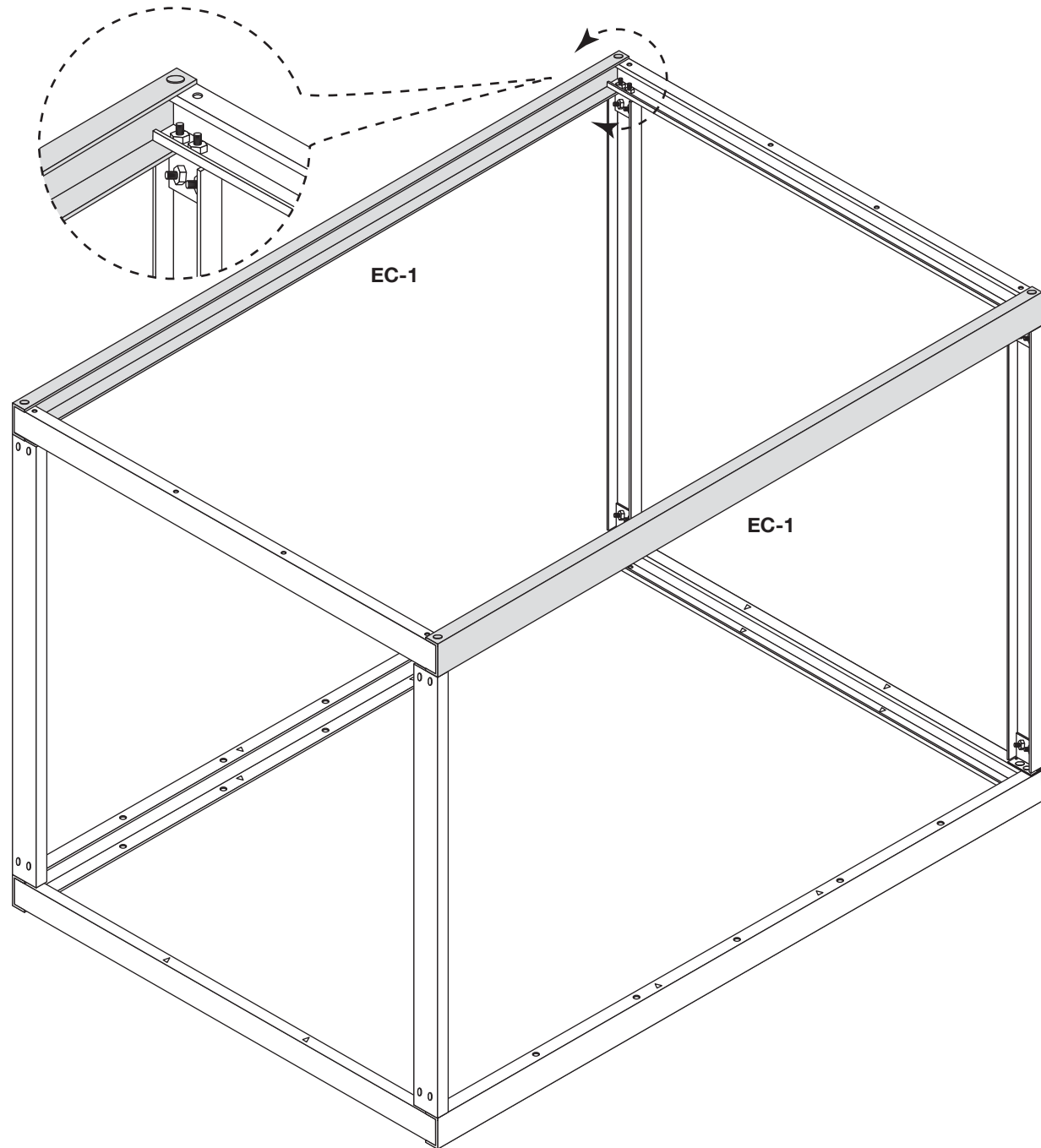
RAFTERS (R-1)

Bolts should remain loose until EC-1 is installed

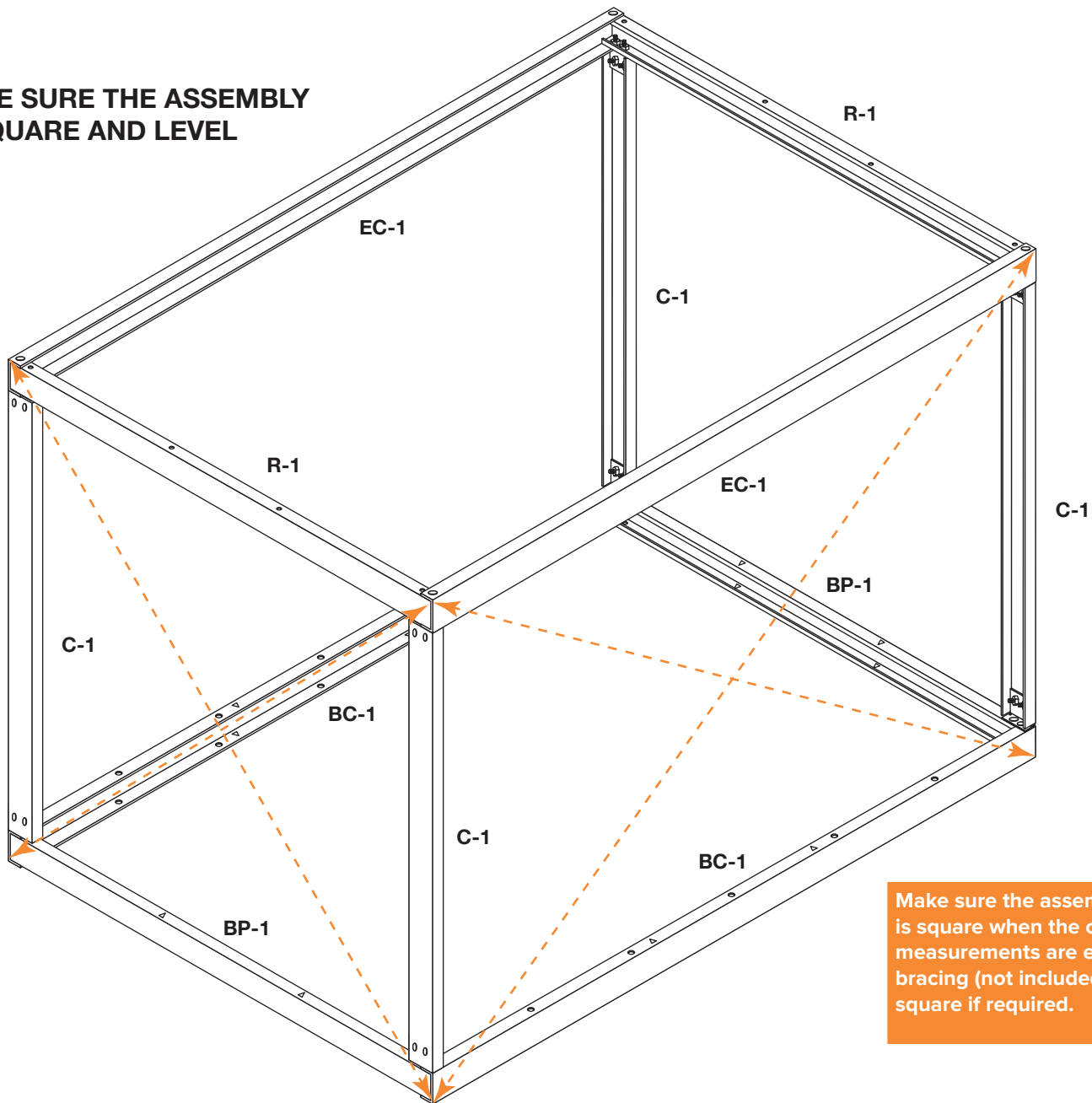


EAVE CHANNEL (EC-1)

Tighten bolts after EC-1 is installed.



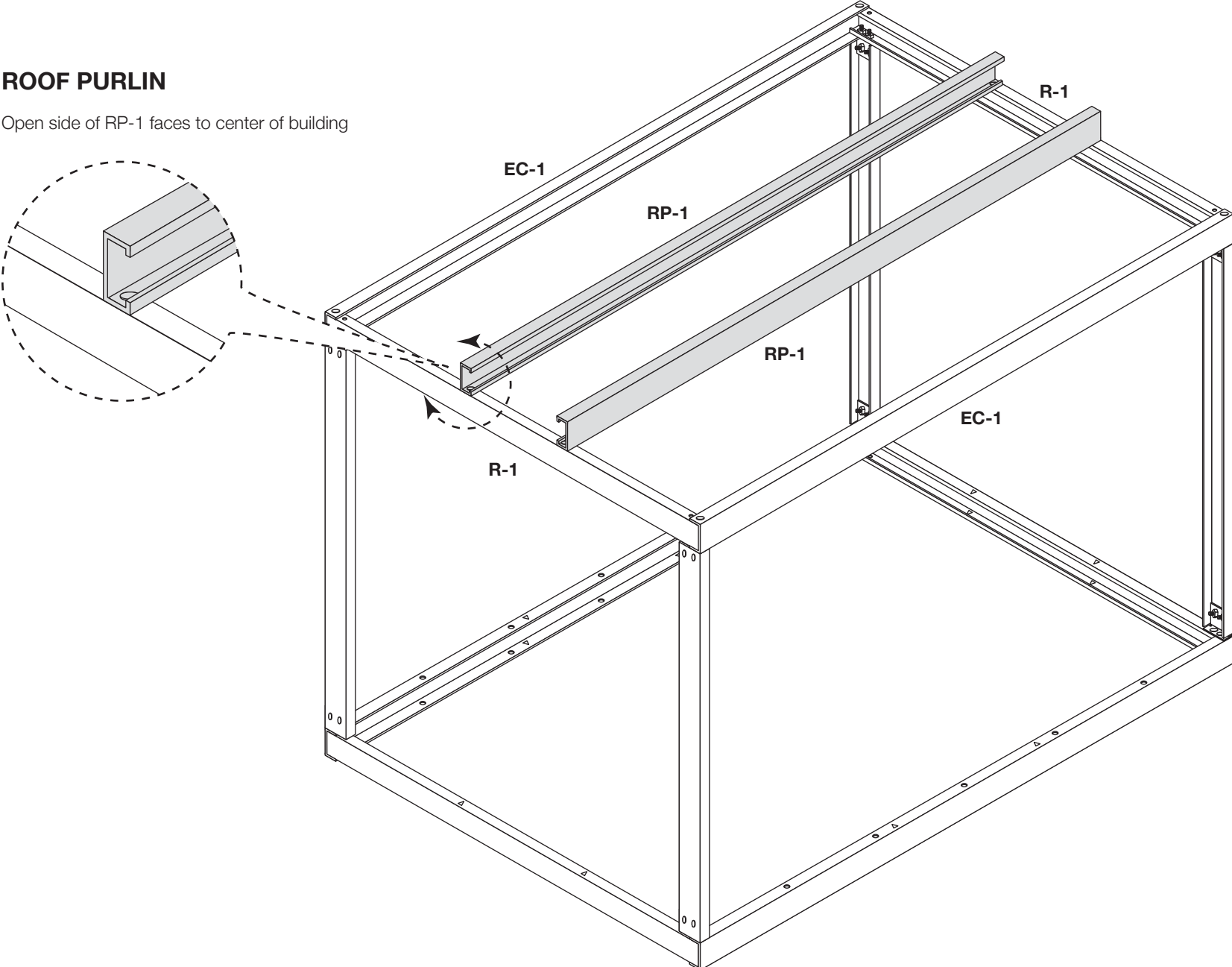
MAKE SURE THE ASSEMBLY IS SQUARE AND LEVEL



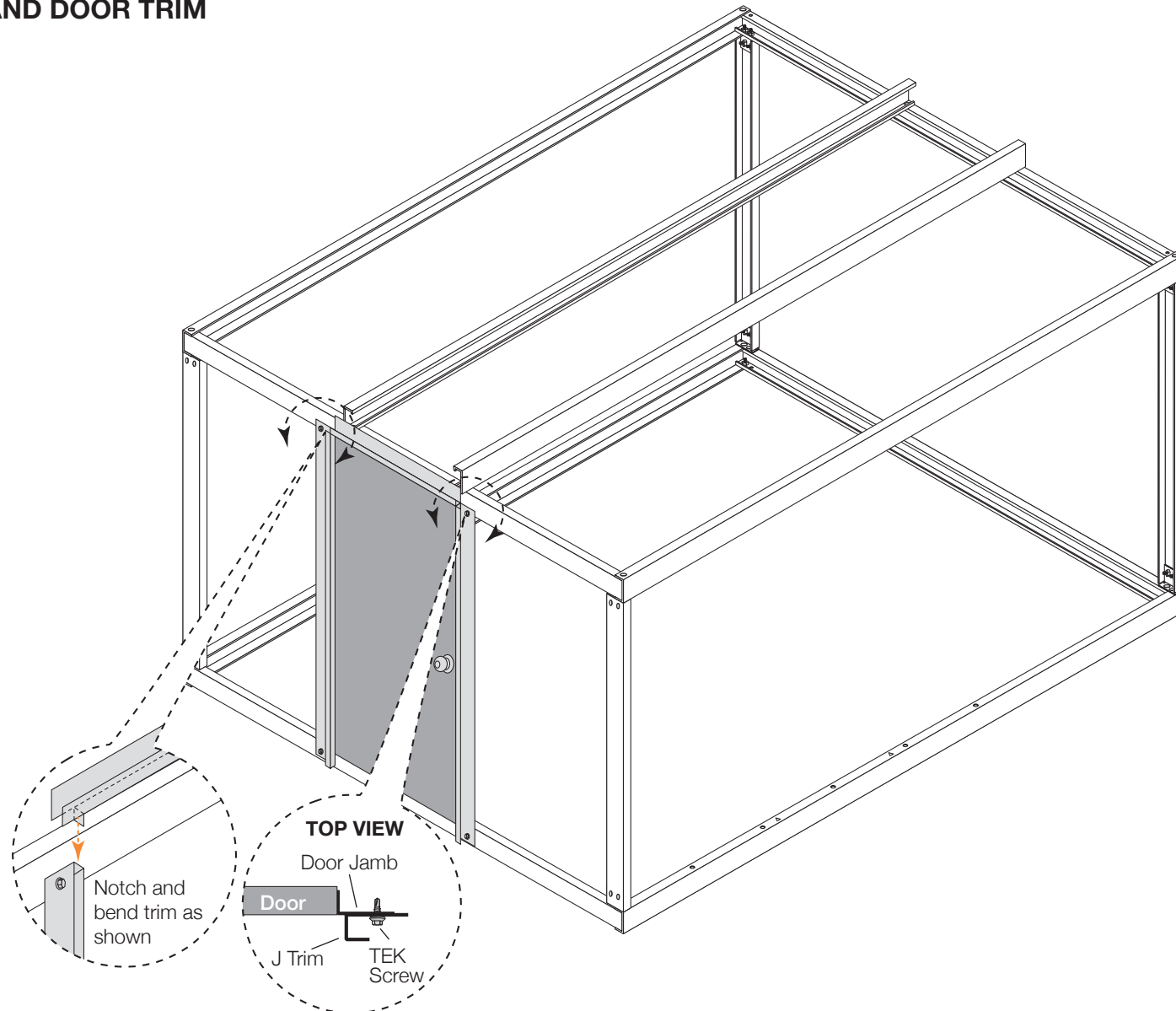
Make sure the assembly is square. Assembly is square when the corner to corner measurements are equal. Use temporary bracing (not included) to hold assembly square if required.

ROOF PURLIN

Open side of RP-1 faces to center of building

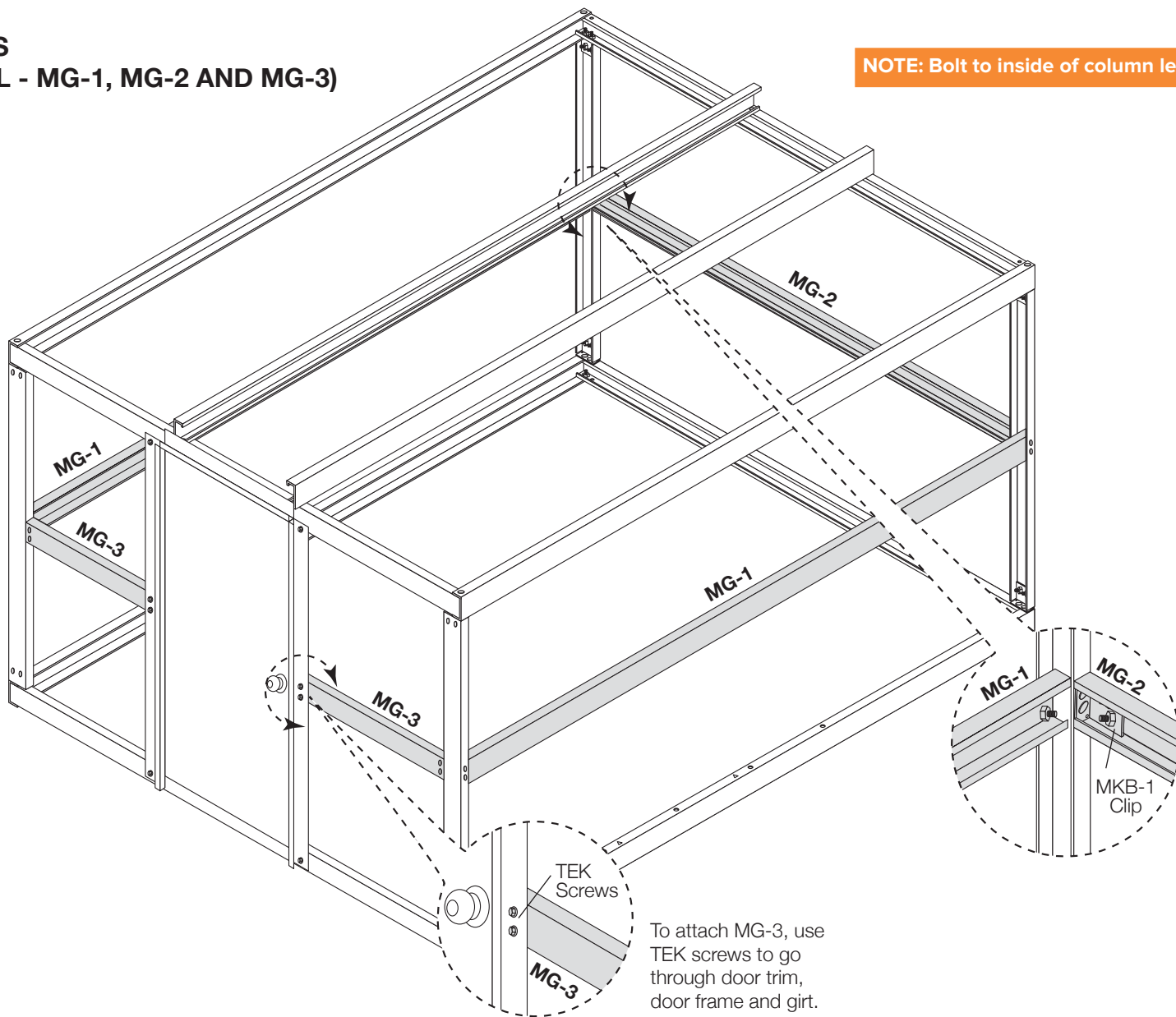


DOOR AND DOOR TRIM



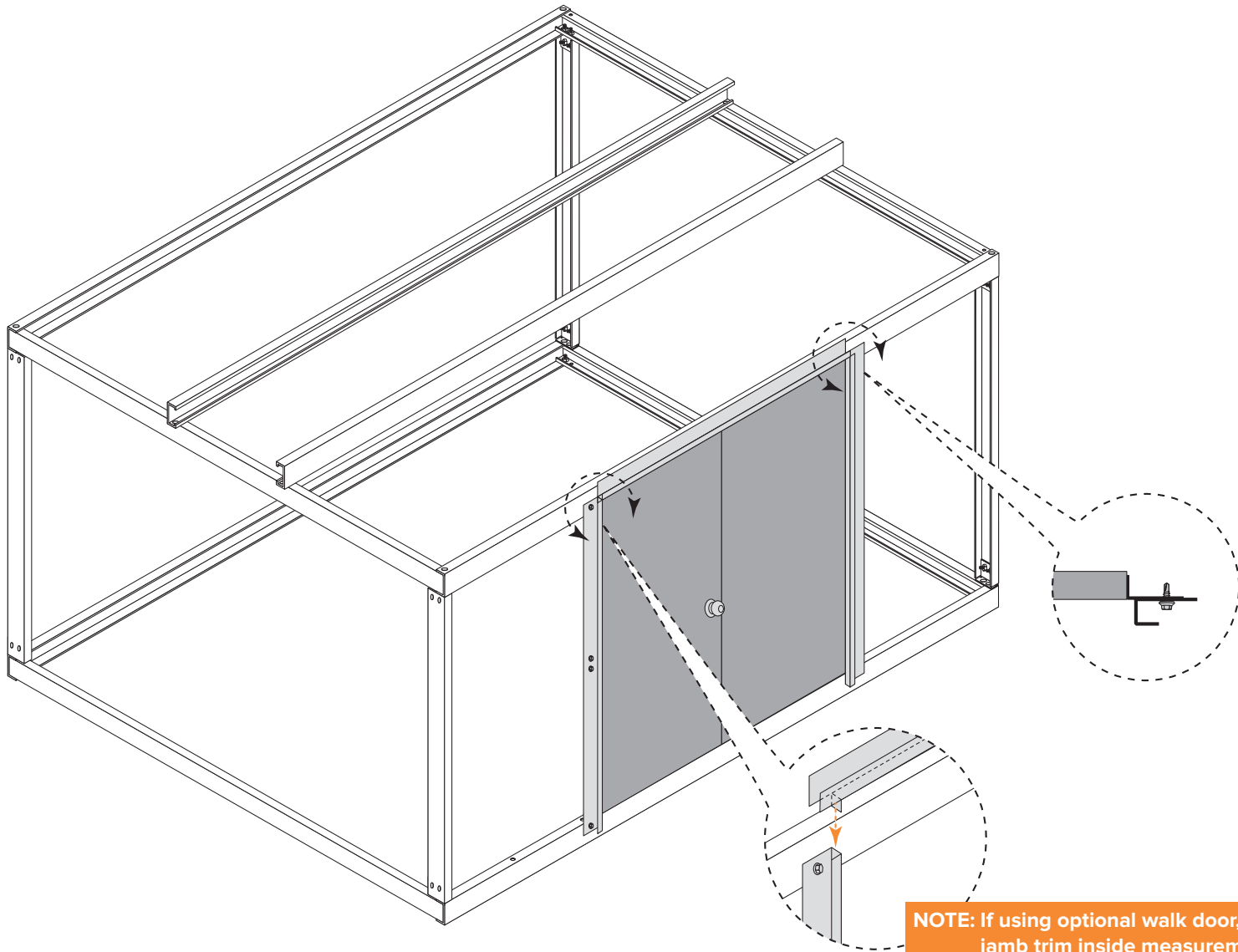
MID-GIRTS (OPTIONAL - MG-1, MG-2 AND MG-3)

NOTE: Bolt to inside of column leg



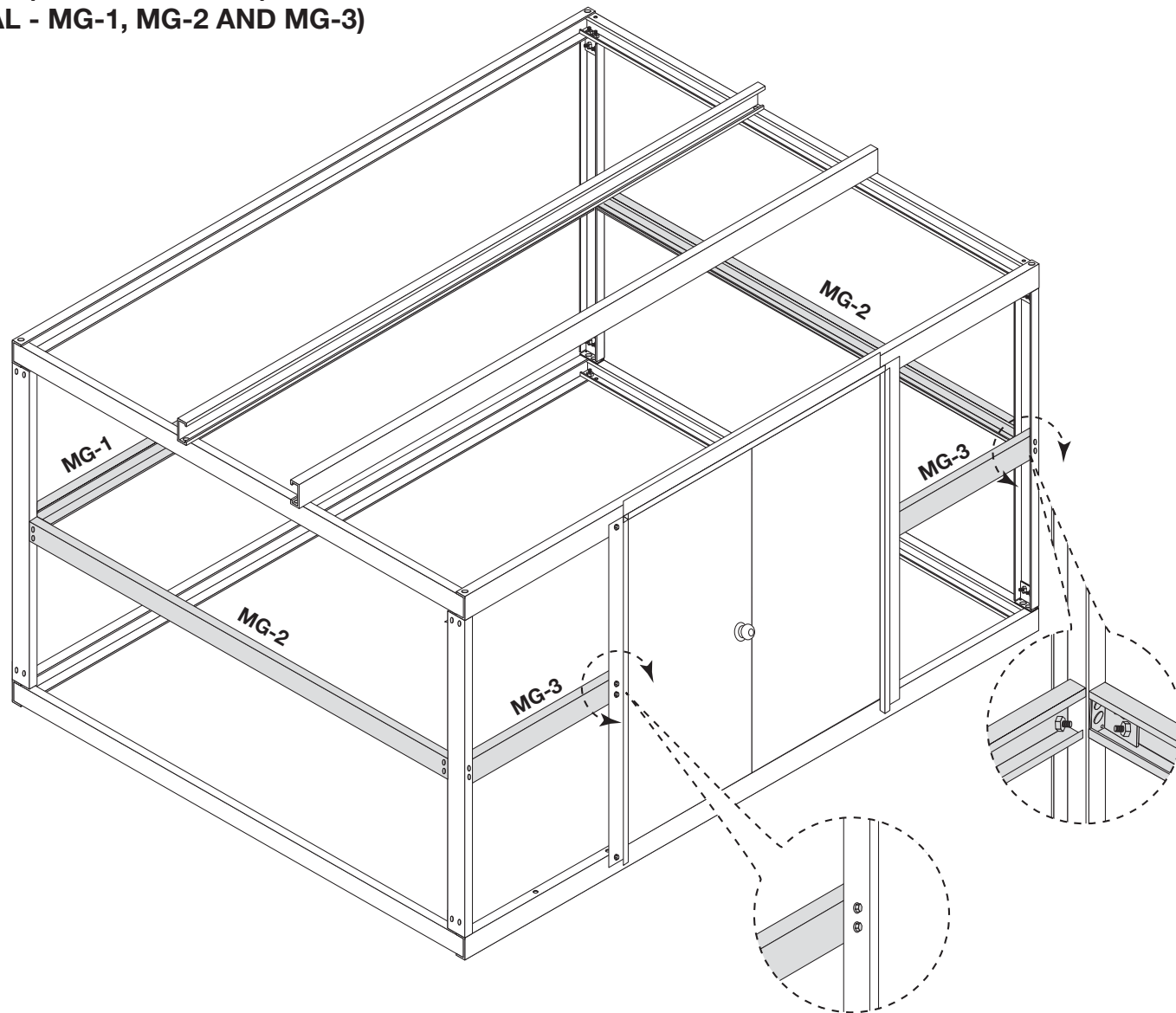
To attach MG-3, use
TEK screws to go
through door trim,
door frame and girt.

DOUBLE DOORS (OPTIONAL)



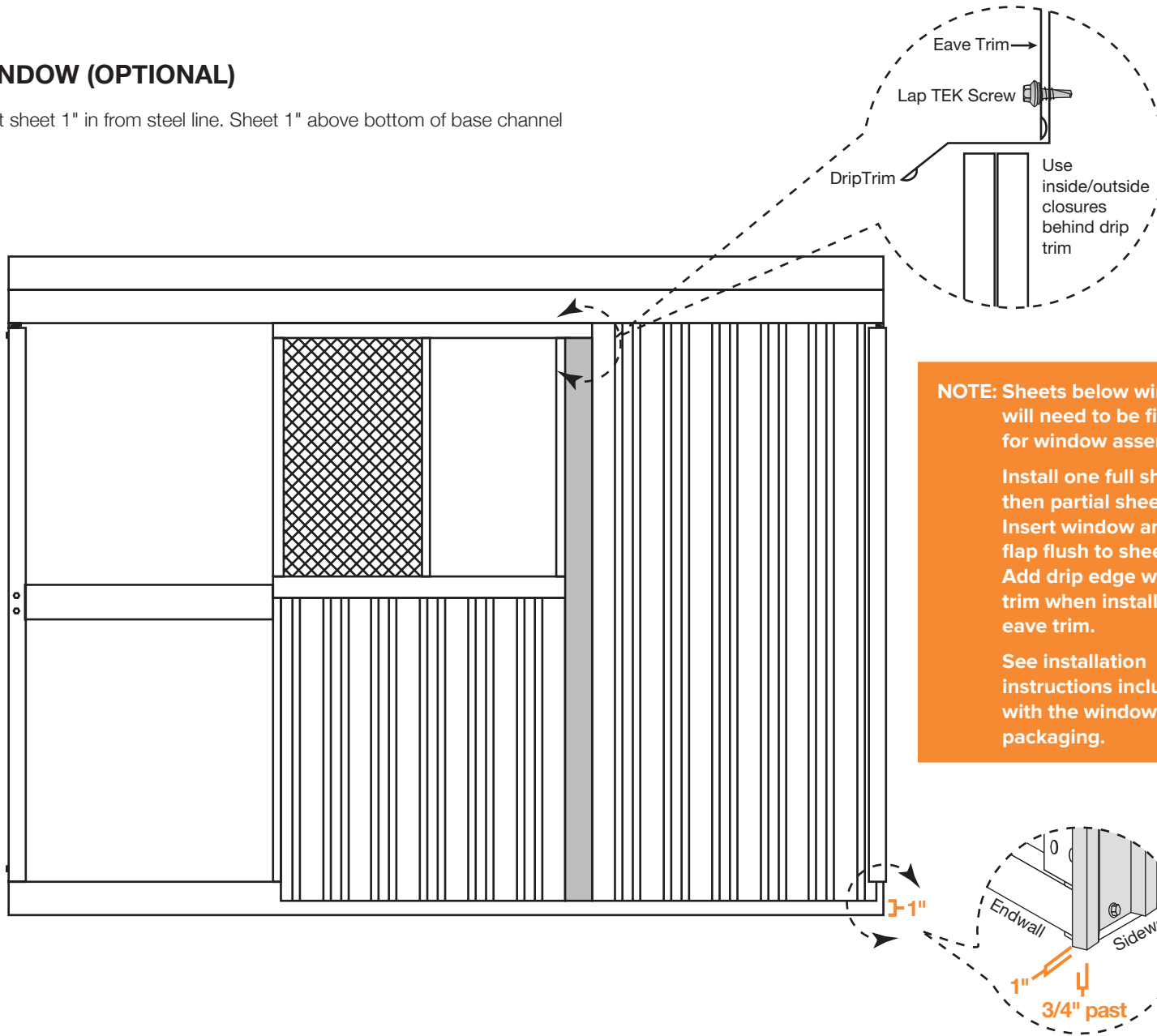
NOTE: If using optional walk door, set jamb trim inside measurement at 5' 10 1/8"

**MID-GIRTS (DOUBLE DOORS)
(OPTIONAL - MG-1, MG-2 AND MG-3)**



WINDOW (OPTIONAL)

Start sheet 1" in from steel line. Sheet 1" above bottom of base channel



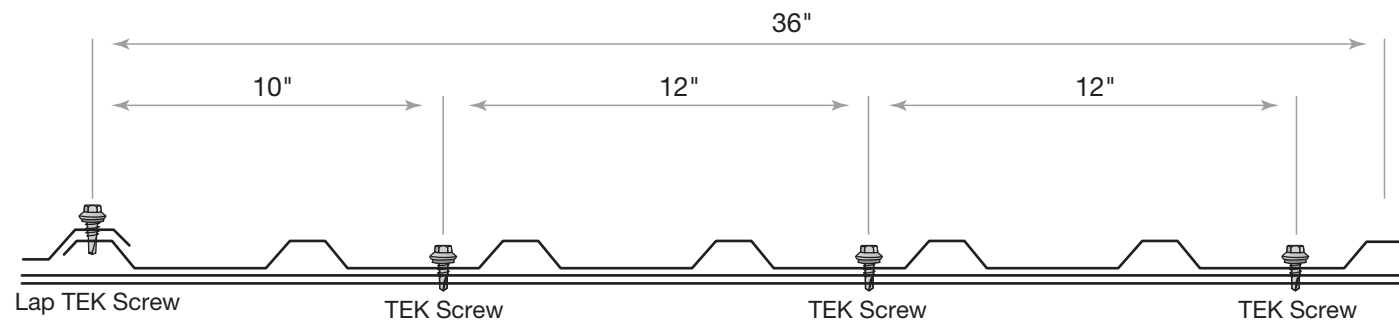
NOTE: Sheets below window will need to be field cut for window assembly.

Install one full sheet, then partial sheet. Insert window and flap flush to sheet. Add drip edge window trim when installing eave trim.

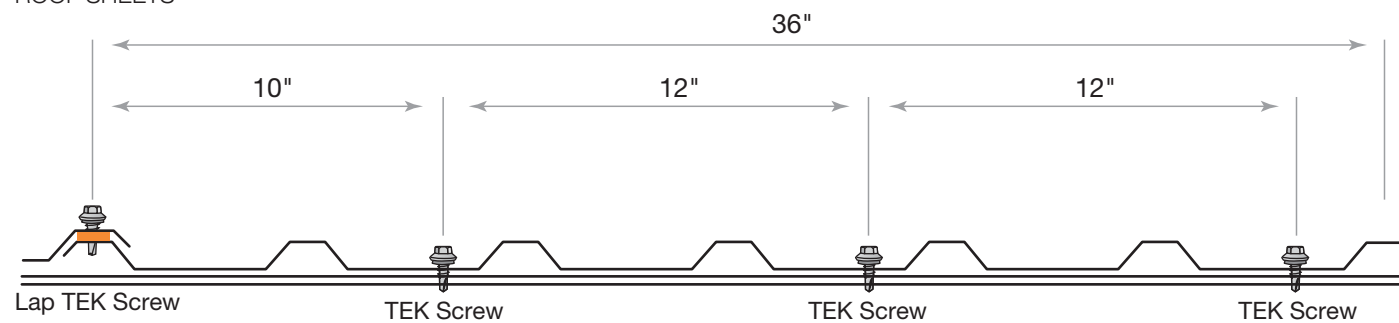
See installation instructions included with the window packaging.

SHEETING SCREW PLACEMENT

WALL SHEETS



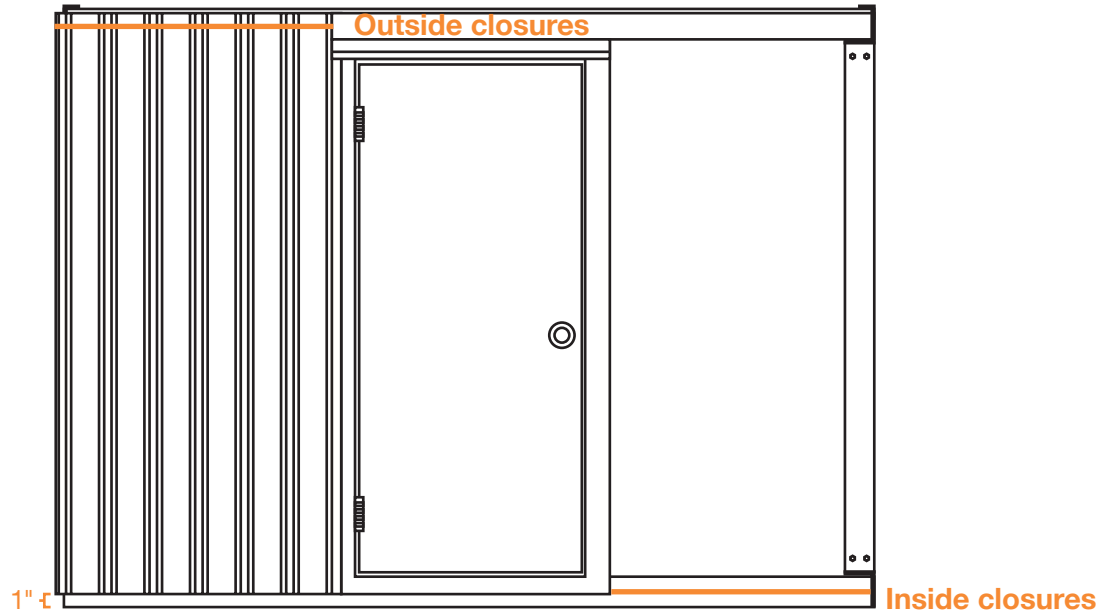
ROOF SHEETS



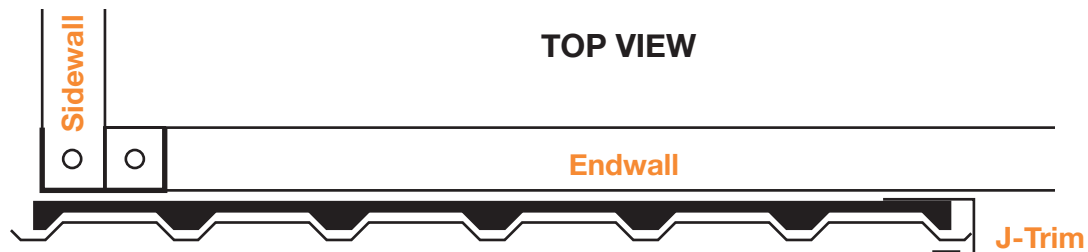
Place sealer tape between roof sheets only.

NOTE: Make sure to use TEK screws to attach sheets to purlins, lap TEK screws to attach sheets to sheets.

SHEETING ENDWALL WITH SINGLE DOOR



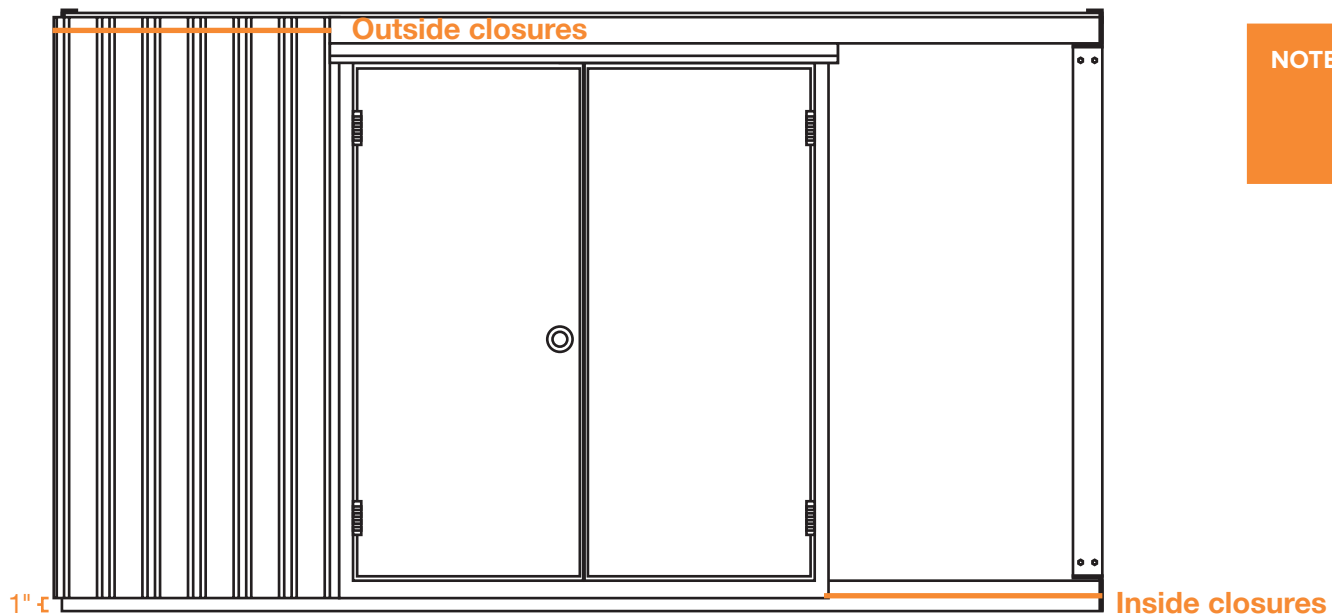
IMPORTANT: 1" above the bottom of the base channel



Inside closure goes on the bottom and outside closure goes on top.

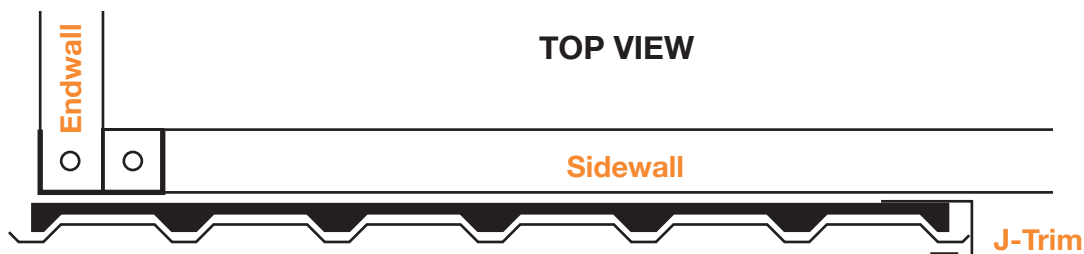
NOTE: Start sheets inside of J-Trim 1" above the bottom of the base channel

SHEETING SIDEWALL WITH OPTIONAL DOUBLE DOOR



NOTE: If using optional walk door, set jamb trim inside measurement at 5' 10 1/8".

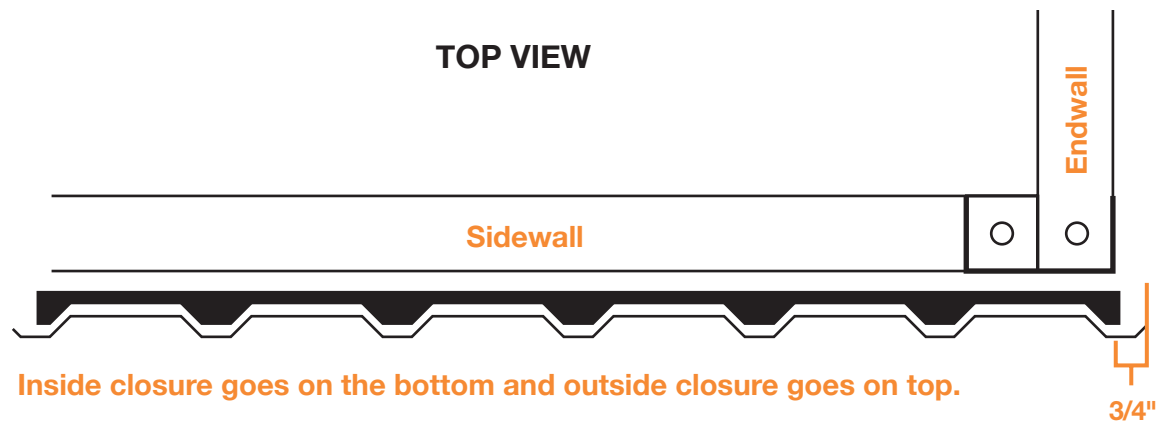
IMPORTANT: 1" above the bottom of the base channel



Inside closure goes on the bottom and outside closure goes on top.

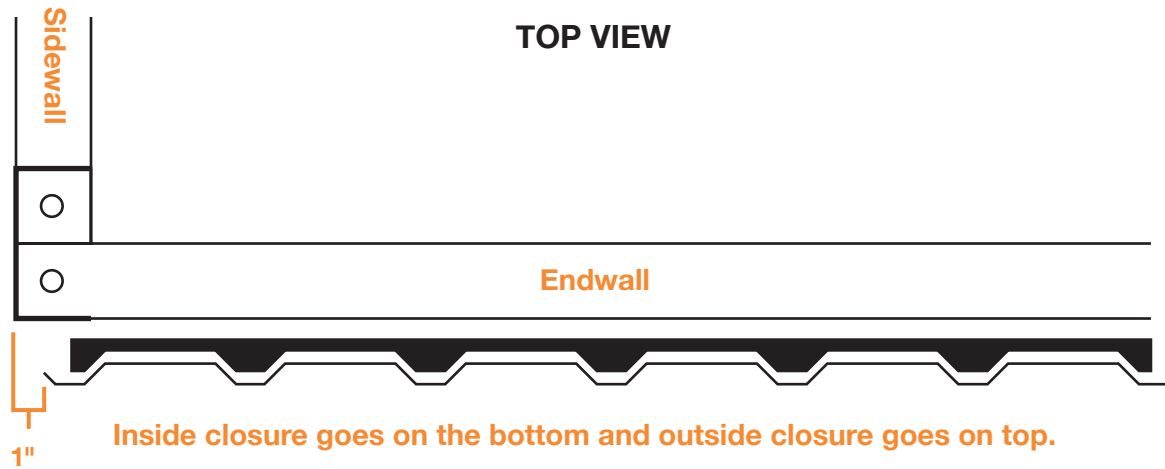
NOTE: Start sheets inside of J-Trim 1" above the bottom of the base channel

SHEETING SIDEWALL



NOTE: Start sheets $\frac{3}{4}$ " past from corner channel and start sheet 1" above the bottom of the base channel

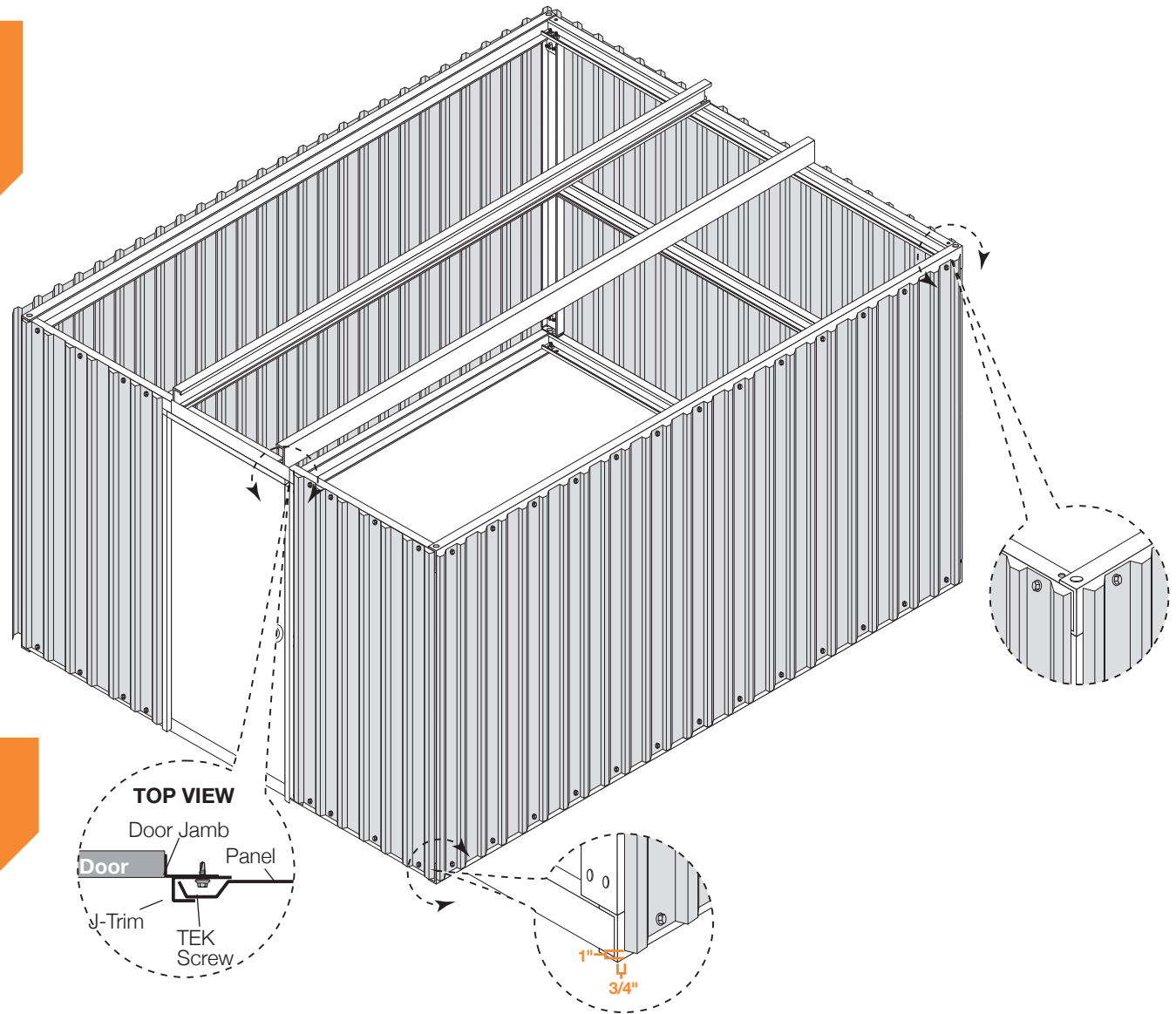
SHEETING ENDWALL



NOTE: Start sheets 1" in from corner channel and start sheet 1" above the bottom of the base purlin

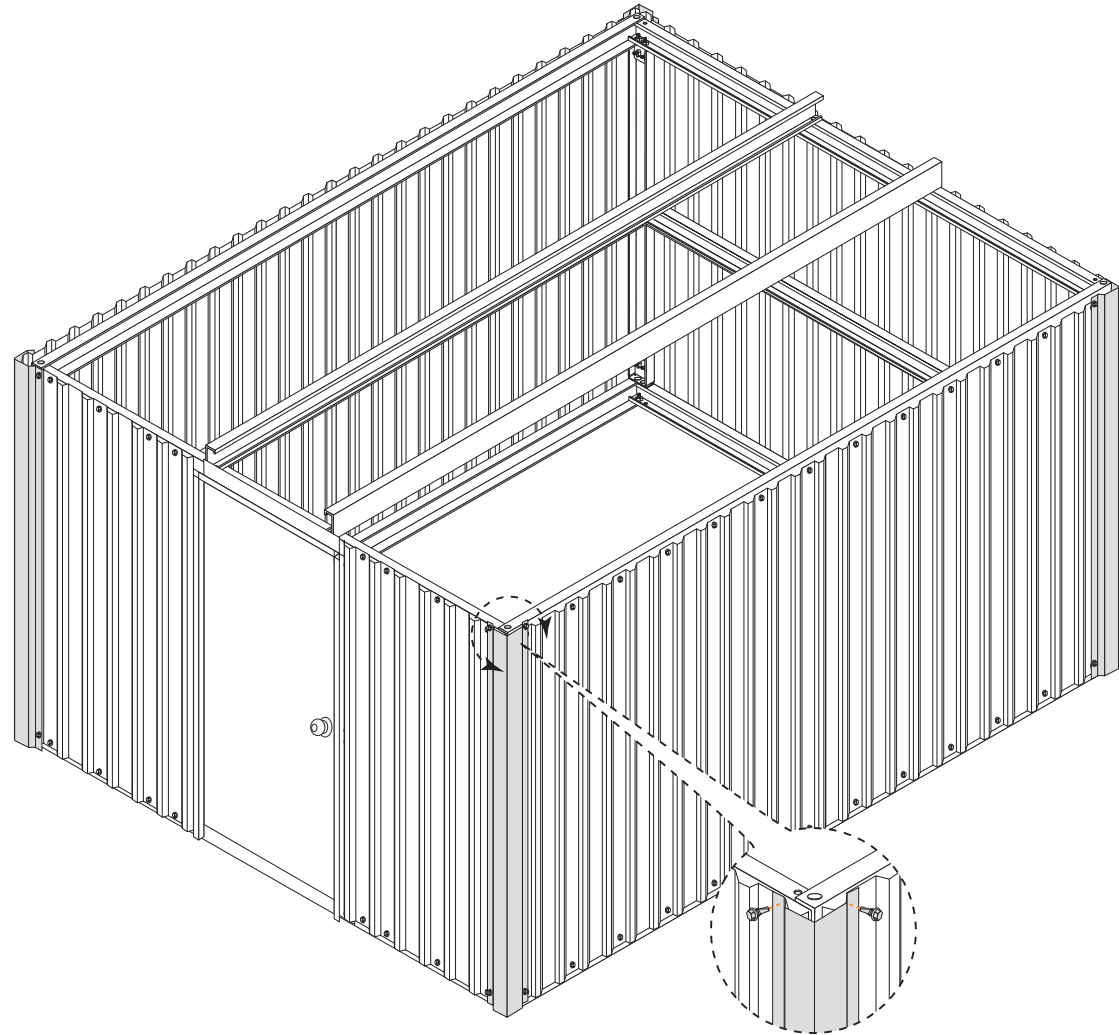
SHEETING

NOTE: Make sure the frame is plumb and level, and tighten all bolts prior to sheeting. Repeat for each wall.



NOTE: For side with door, start sheets flush with J-trim on both sides of the door.

CORNER TRIM



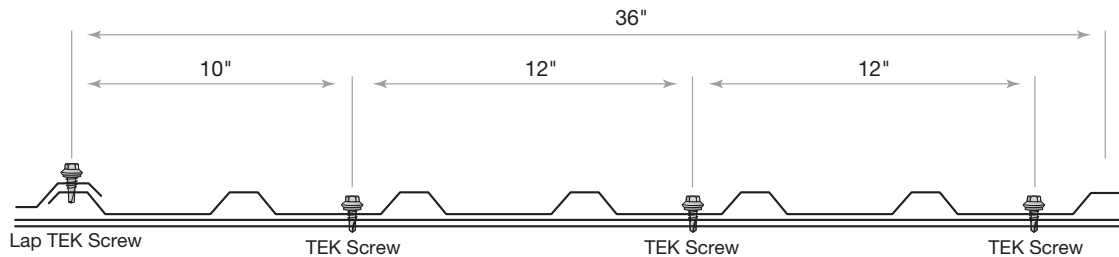
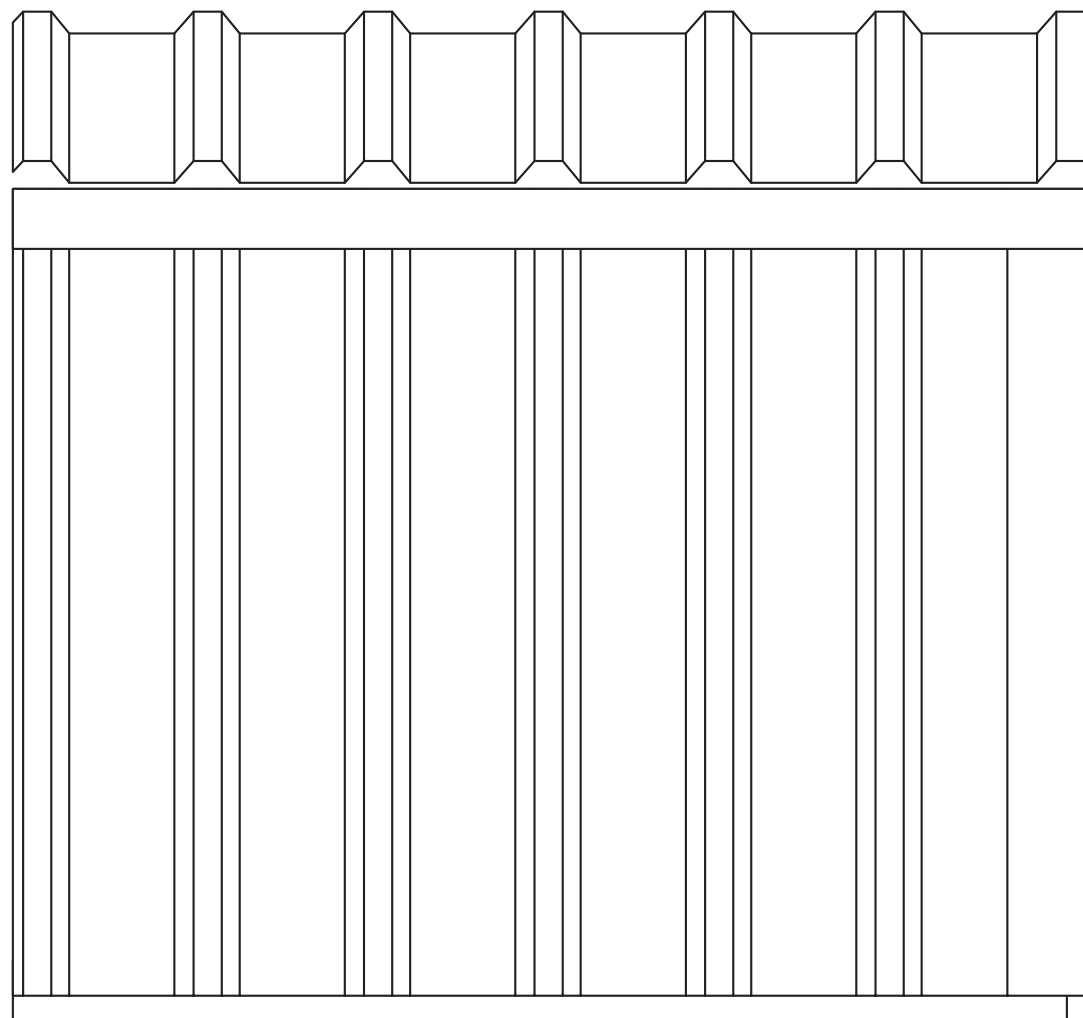
BACK SIDE WALL

Roof to wall sheet alignment

Align major ribs from wall to major rib on roof

NOTE: Make sure panels remain square during installation.

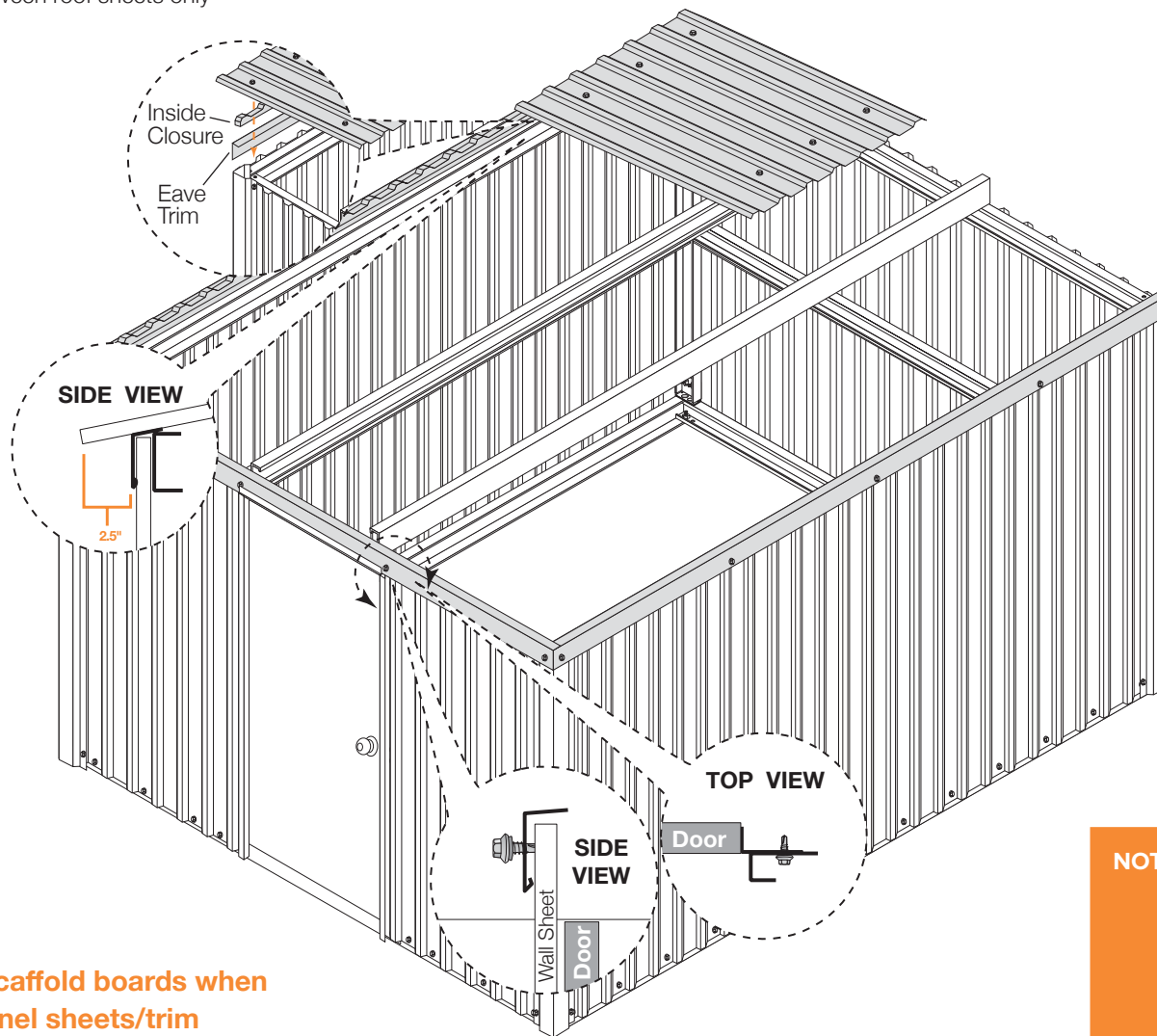
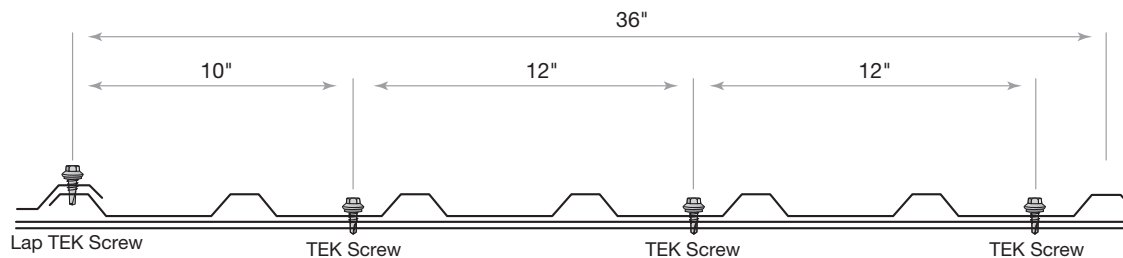
NOTE: If optional double door is used, roof and wall sheets will not align.



SHEETING THE ROOF

Align roof sheets with wall sheets

Place sealer tape between roof sheets only

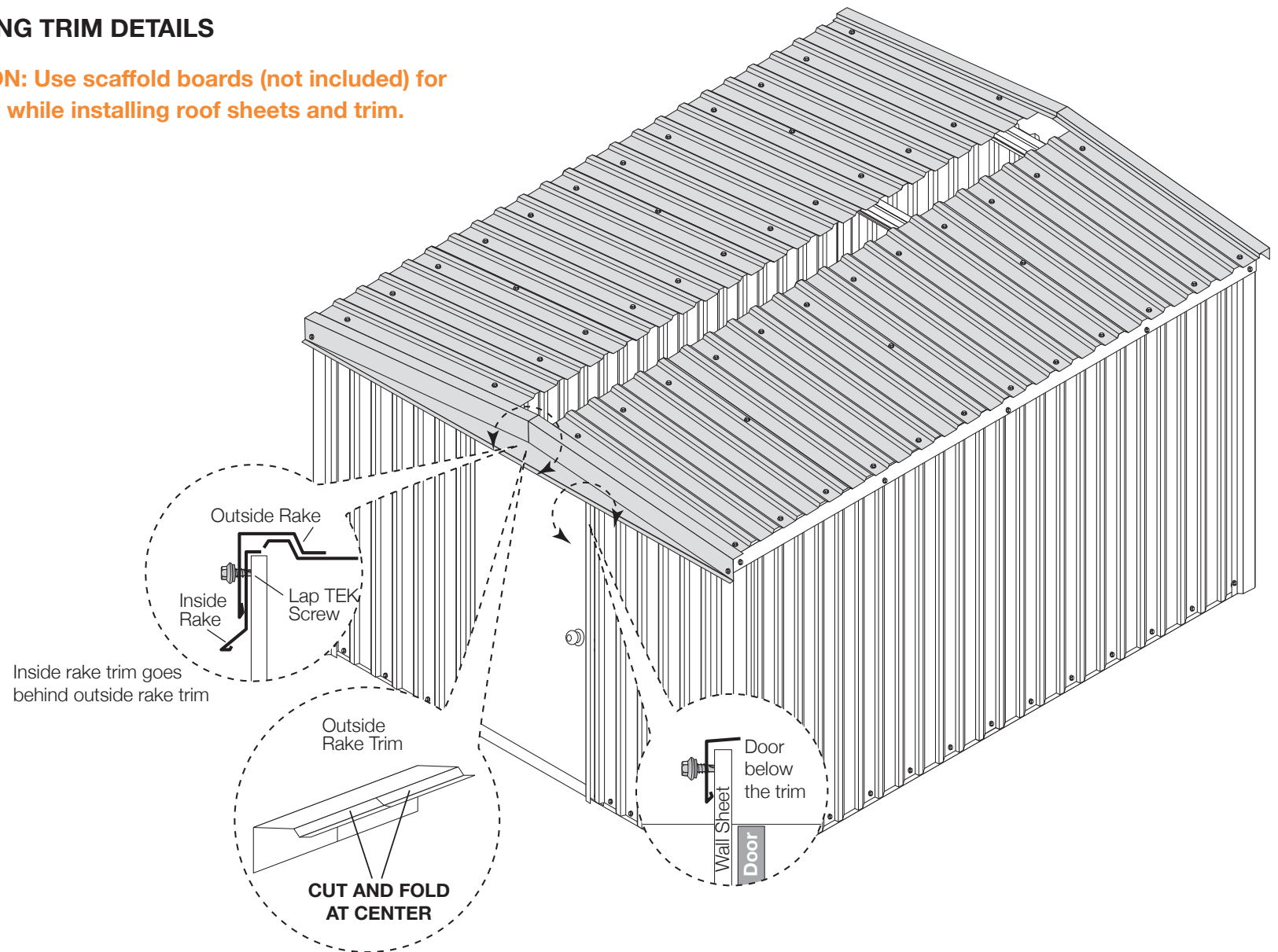


CAUTION: Use scaffold boards when installing roof panel sheets/trim

NOTE: Use TEK screws at the purlins
Use Lap TEK screws every 20" vertically

ROOFING TRIM DETAILS

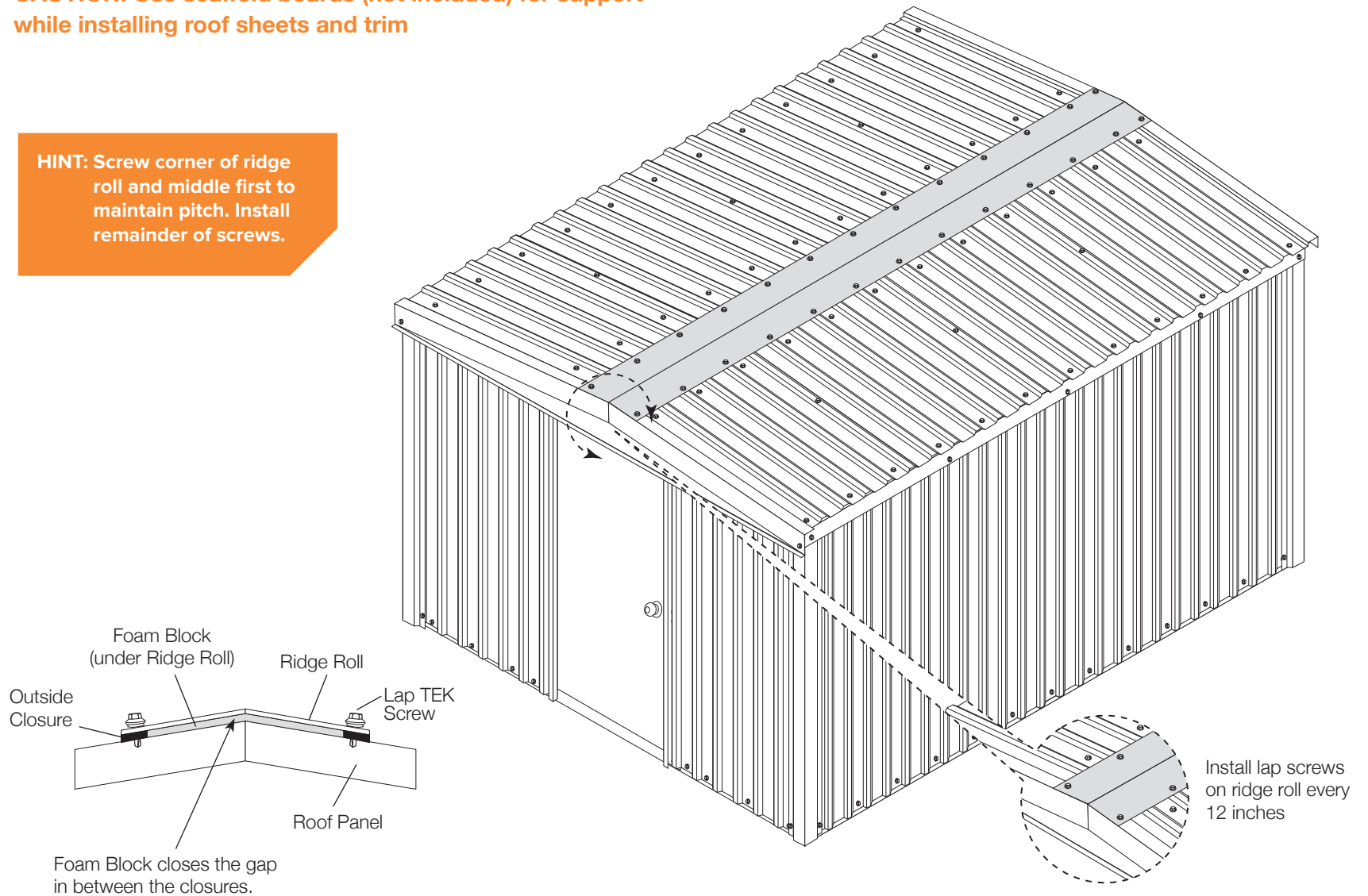
CAUTION: Use scaffold boards (not included) for support while installing roof sheets and trim.



SKYLIGHT RIDGE ROLL INSTALLATION

CAUTION: Use scaffold boards (not included) for support while installing roof sheets and trim

HINT: Screw corner of ridge roll and middle first to maintain pitch. Install remainder of screws.



TOTAL BUILDING MEASUREMENTS

