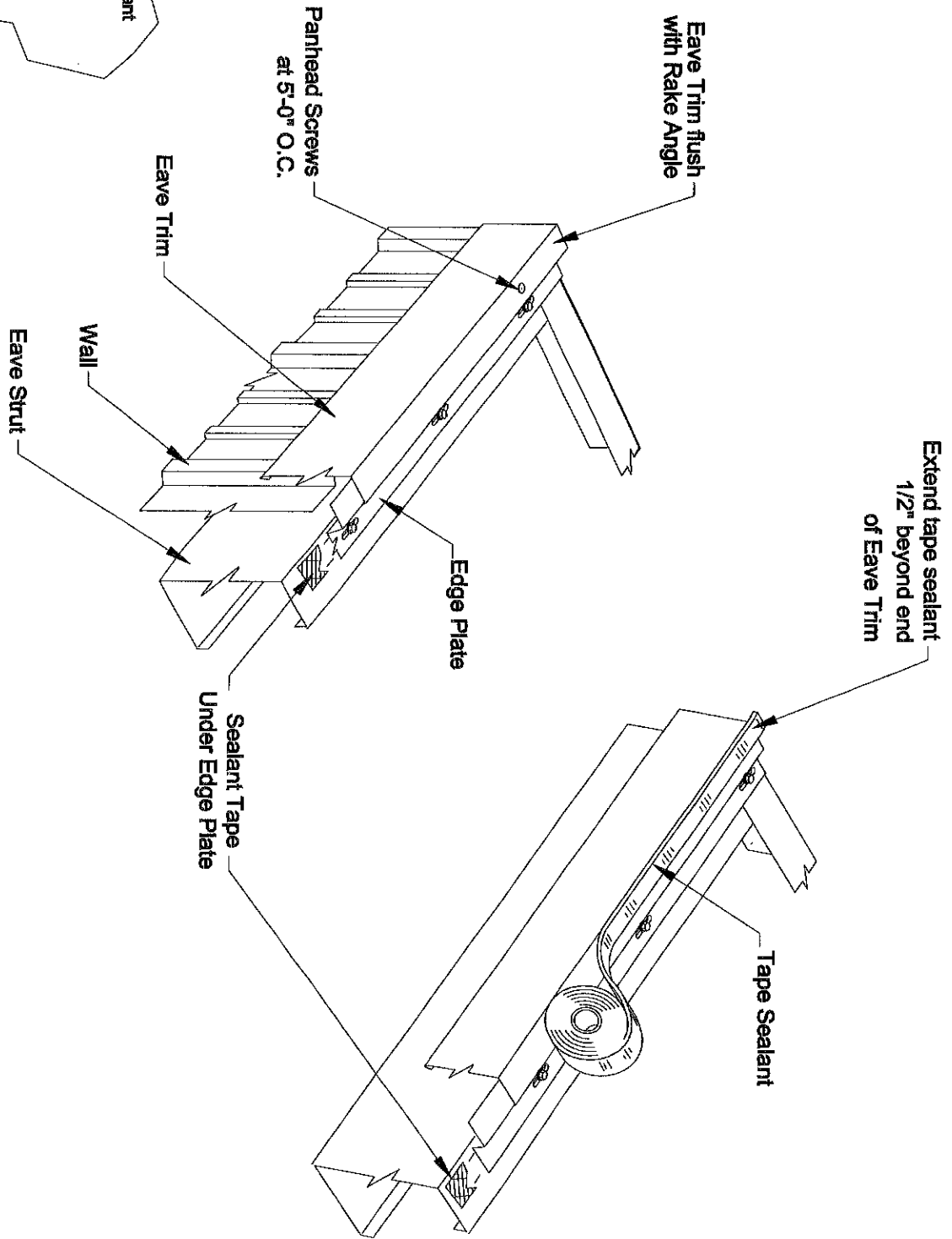
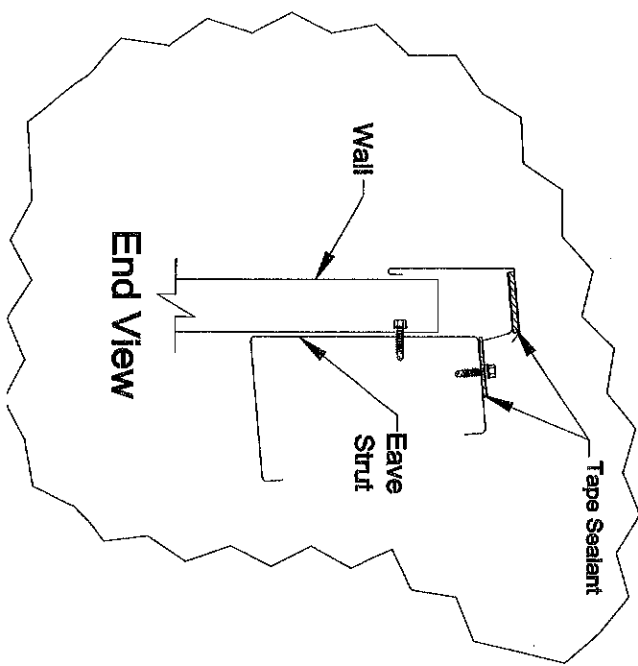
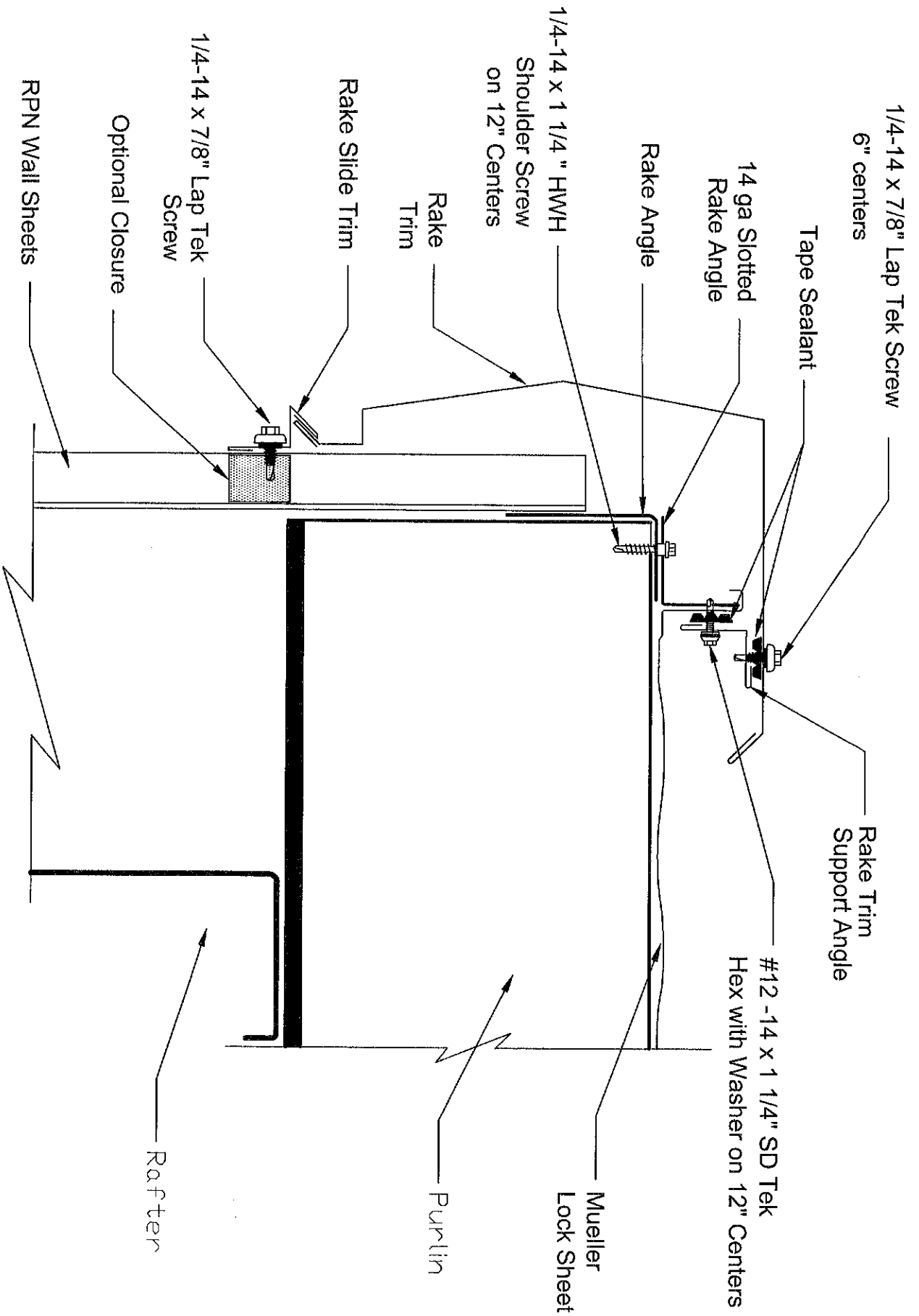


DESCRIPTION		MLK - Edge Plate		REF: PG 14
DRN. BY	CKD BY	DATE	SCALE	SHEET NO.
PDC		06/05/17	NONE	
SALESMAN		REV.		
Phillip Colombo				
<p>MUELLER, INC. STEEL BUILDING SYSTEMS & COMPONENTS 1913 Hutchins Ave. (800) 527-1087 Bollinger, TX 76821 (325) 365-8103 (Fax)</p>				



<p>MUELLER, INC. STEEL BUILDING SYSTEMS & COMPONENTS</p> <p>1913 Hutchins Ave. Bolling, TX 76821 (800) 527-1087 (325) 365-8103 (Fax)</p>		<p>DESCRIPTION MLK - Eave Trim</p>	<p>DRN. BY</p>	<p>CK'D BY</p>	<p>DATE</p>	<p>SCALE</p>	<p>SALESMAN</p>	<p>REF: PG 15</p>	<p>JOB NO.</p>	<p>SHEET NO.</p>	<p>RE</p>
---	--	------------------------------------	----------------	----------------	-------------	--------------	-----------------	-------------------	----------------	------------------	-----------

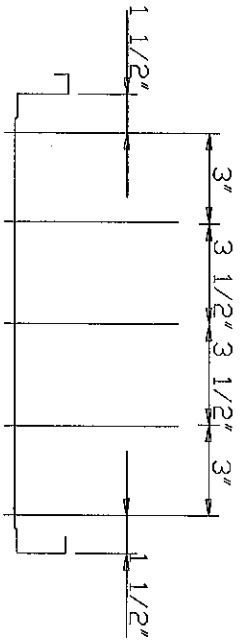


MUELLER, INC.
STEEL BUILDING SYSTEMS & COMPONENTS

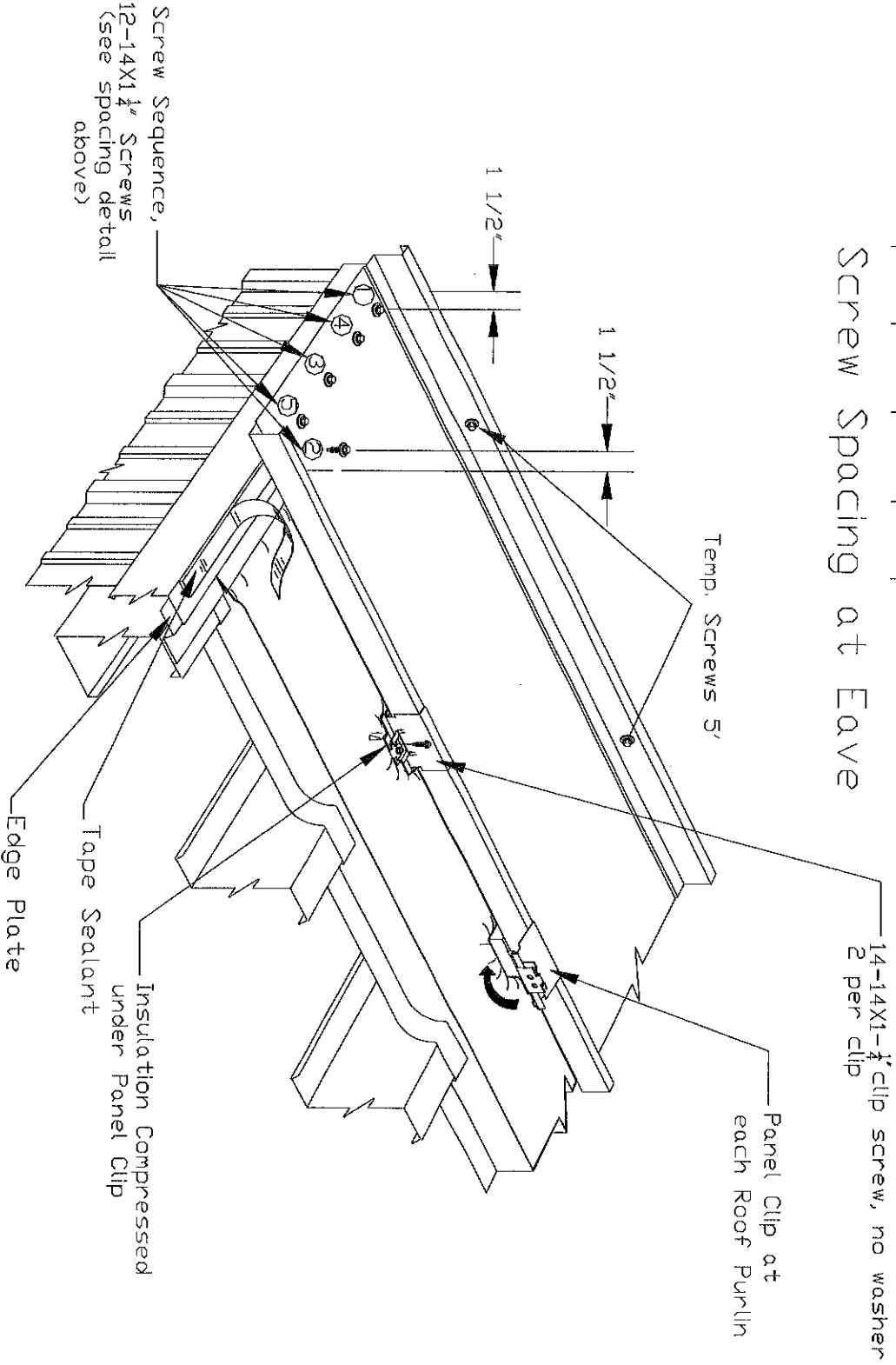
1913 Hutchins Ave.
Ballinger, TX 76821
(800) 527-1087 (325) 365-8103 (Fax)

MLK - Floating Rake Details A

DESCRIPTION: DRN. BY: CK'D BY: DATE: SCALE: SALESMAN: REF: Pg 18 JOB NO. SHEET NO. RE



Screw Spacing at Eave



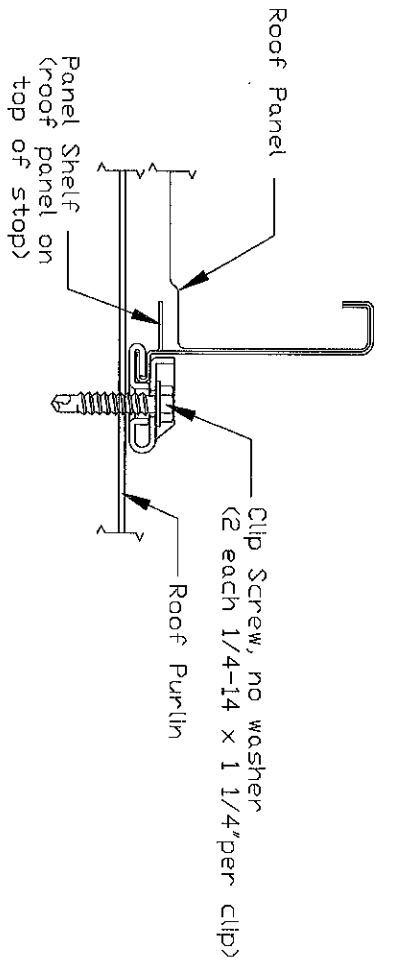
MUELLER, INC.
STEEL BUILDING SYSTEMS & COMPONENTS

1913 Hutchins Ave. Ballinger, TX 76821
(800) 527-1087 (325) 365-8103 (Fax)

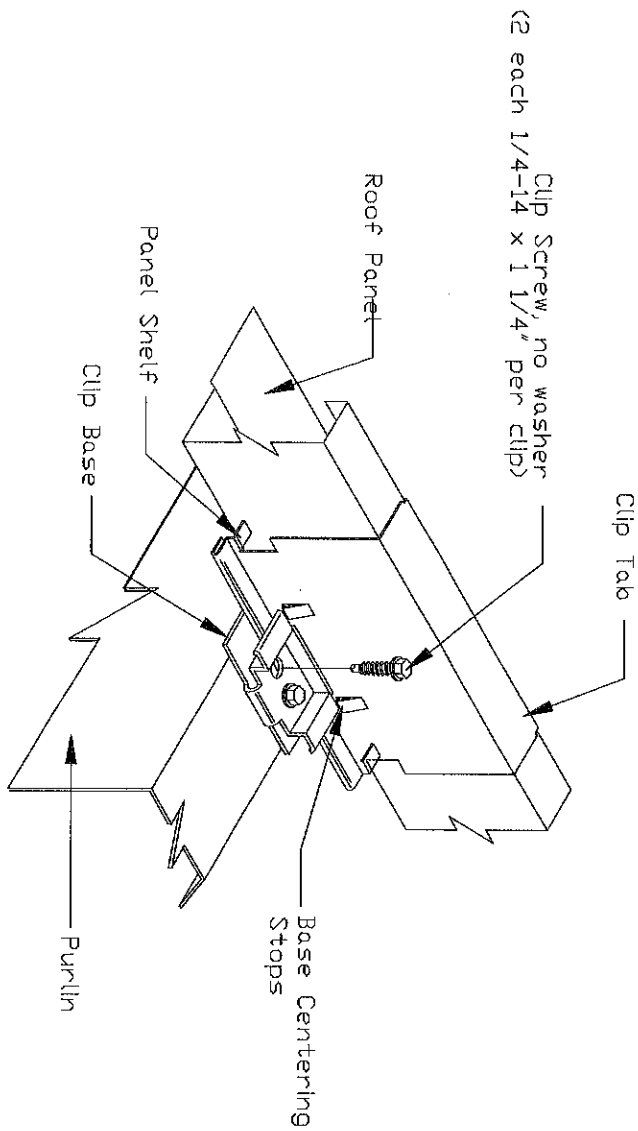
MLK - Fastening Eave

DESCRIPTION	MLK - Fastening Eave	SCALE	SALESMAN	REF: PG 21
DRN. BY	CKD BY	DATE		JOB NO.
				SHEET NO.
				RE





Clip To Panel Assembly



MUELLER, INC.
 STEEL BUILDING SYSTEMS & COMPONENTS
 1913 Hutchins Ave.
 (800) 527-1087
 Ballinger, TX 76821
 (325) 365-8103 (Fax)



DESCRIPTION	MLK - Panel Clips	REF: Pg 22
DRN. BY	CK'D BY	JOB NO.
DATE	SCALE	SHEET NO.
	SALESMAN	RE