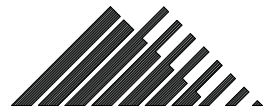
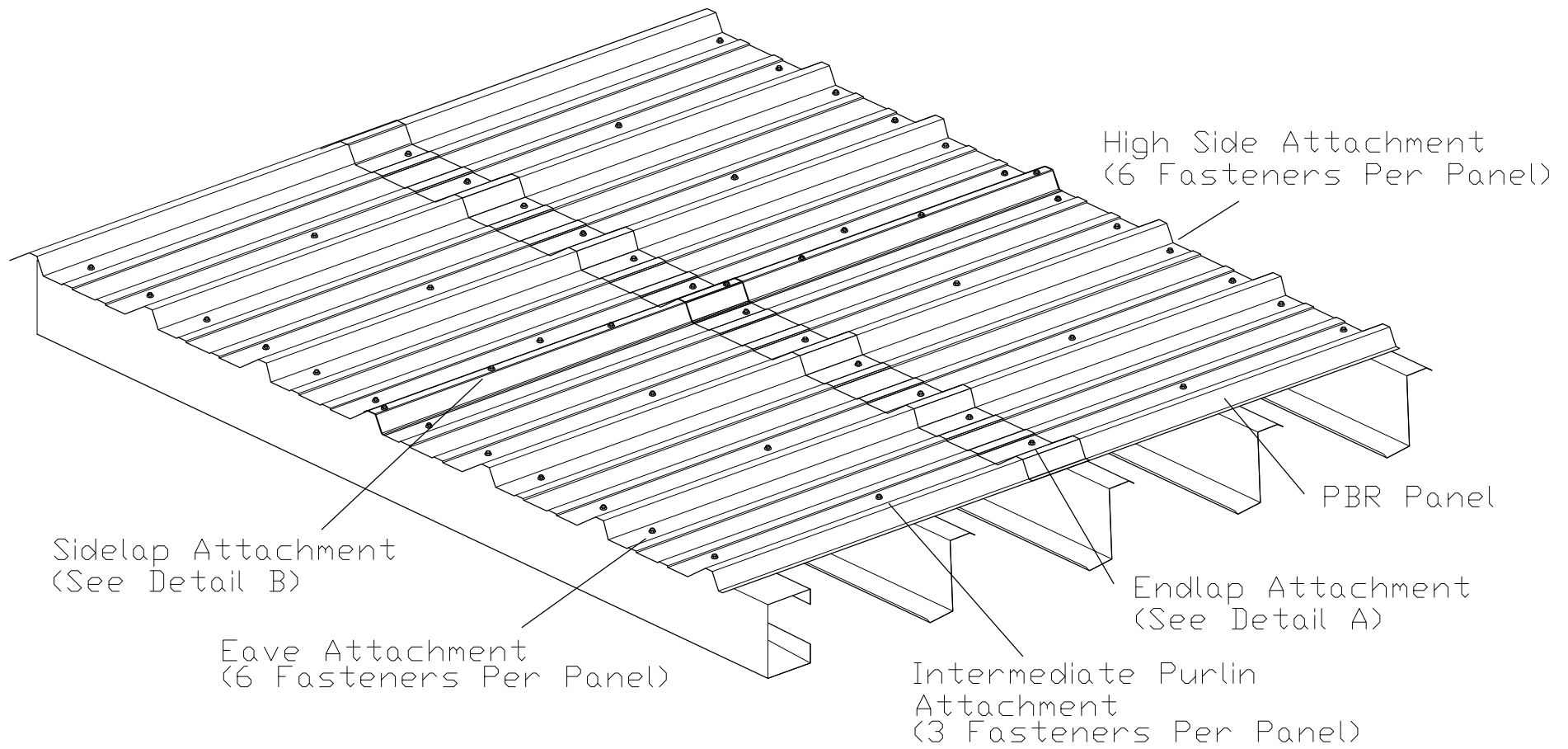


MUELLER, INC.
STEEL BUILDING SYSTEMS & COMPONENTS

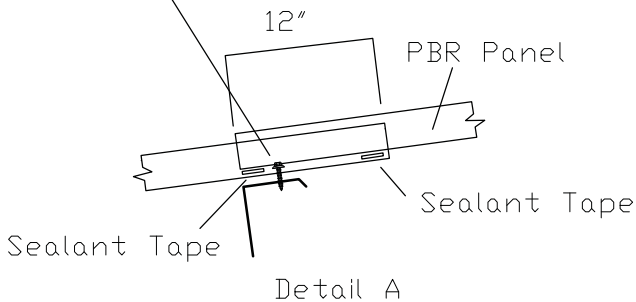
1913 Hutchins Ave. Ballinger, TX 76821
(800) 527-1087 (325) 365-8103 (Fax)



DESCRIPTION					PBR Wall - Top of Wall		REF: PG E-16	
DRN. BY	CK'D BY	DATE	SCALE	SALESMAN	JOB NO.	SHEET NO.	REV.	
PDC		06/05/17	NONE	Phillip Colombo				

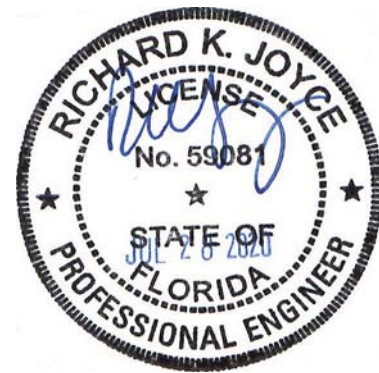
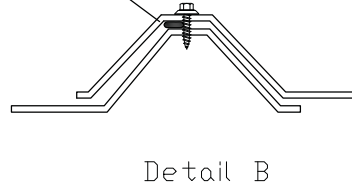


#12-14 x 1 1/4" Tek Screw
(6 each per panel)



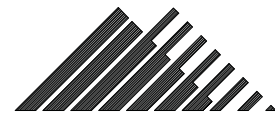
Sealant Tape

1/4-14 x 7/8" LapTek Screw
(20" O.C.)



MUELLER, INC.
STEEL BUILDING SYSTEMS & COMPONENTS

1913 Hutchins Ave. Ballinger, TX 76821
(800) 527-1087 (325) 365-8103 (Fax)



DESCRIPTION					PBR - Roof Panel Attachment		REF: PG - E14	
DRN. BY	CK'D BY	DATE	SCALE	SALESMAN	JOB NO.	SHEET NO.	REV.	
PDC		06/05/17	NONE	Phillip Colombo				